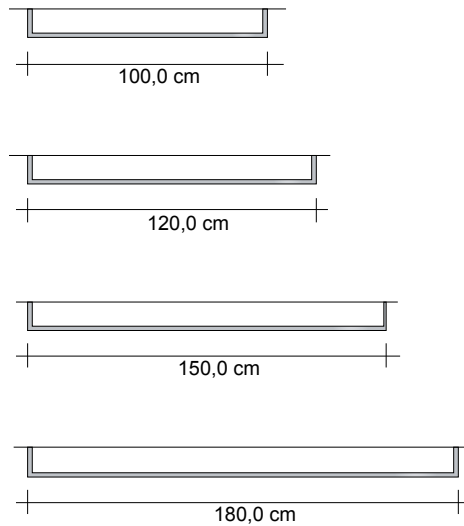


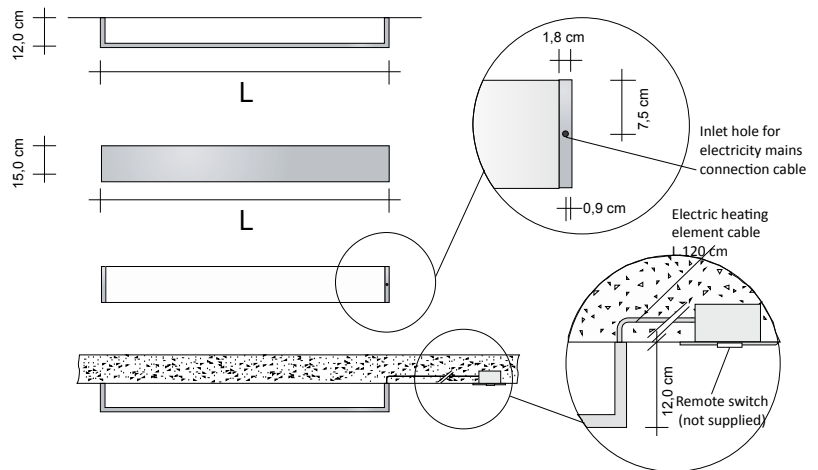
Price per radiator/Towel warmer in White Standard colour code 9010 – VAT and transport excluded.



SET-UP FOR CONNECTION

SQUARE MANIGLIONE is connected to the mains electricity using a hidden connection, so the wall outlet needs to be set up with a flexible duct to thread the electrical wires not supplied, with a diameter of no more than 13 mm. The outlet position is shown in the technical diagram with the symbol «•».

To turn the electric handle on and off, we recommend you install an ON/OFF switch and/or a timer (not supplied) to avoid wasting energy. For further information consult the technical data sheet provided here.



Product code **SQM#ELE1000159010**

SQM#ELE100015 Article code specified in the price table
9010 Colour/finish code specified in the Official TUBES COLOUR CHART

| Model | L (cm) | H (cm) | Electrical Resistance (Watts) | Price Standard White Cat. C0 (€) | Price Category C1/C2 (€) | Price Category Cat. C3 (€) |
|------------|-----------|-----------|-------------------------------------|--|--------------------------------|----------------------------------|
| SQM#ELE100 | 100,0 | 15,0 | 60 W | | | |
| SQM#ELE120 | 120,0 | 15,0 | 70 W | | | |
| SQM#ELE150 | 150,0 | 15,0 | 95 W | | | |
| SQM#ELE180 | 180,0 | 15,0 | 120 W | | | |

ADDITIONAL COLOUR CHARGES

Finishes and Anodizing see page. 5 or the colour table provided at the end of this price list.

ELECTRIC CONTROLS

Electric control is via the use of the ZRF007 thermostat which regulates the room temperature by interacting with up to a maximum of 5 radiators.