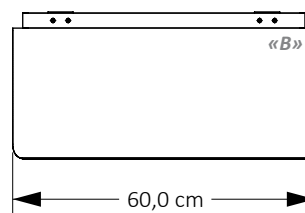
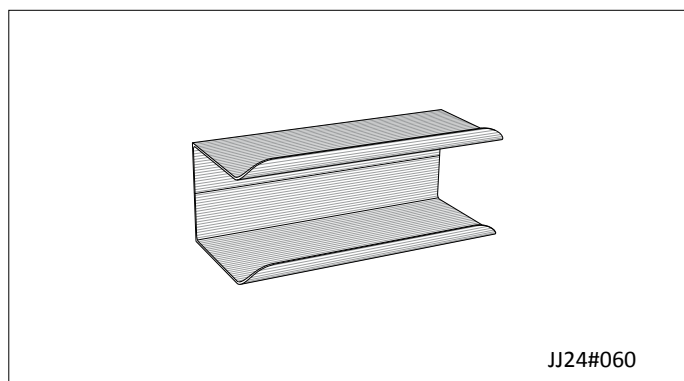
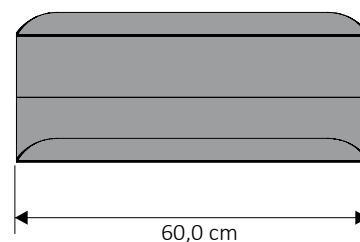
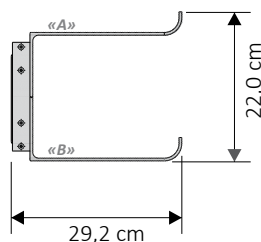
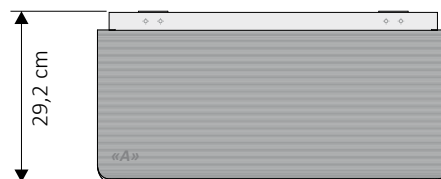
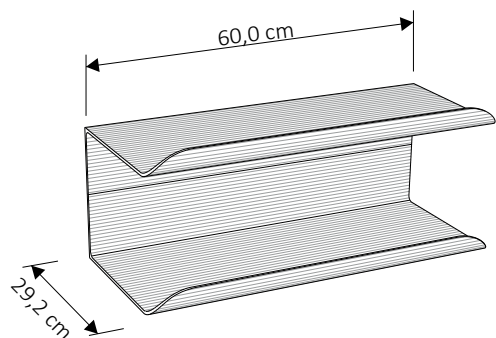


JJ

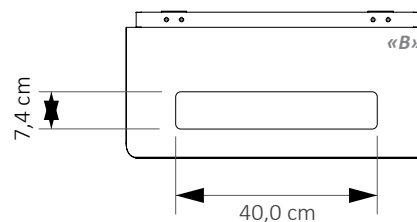
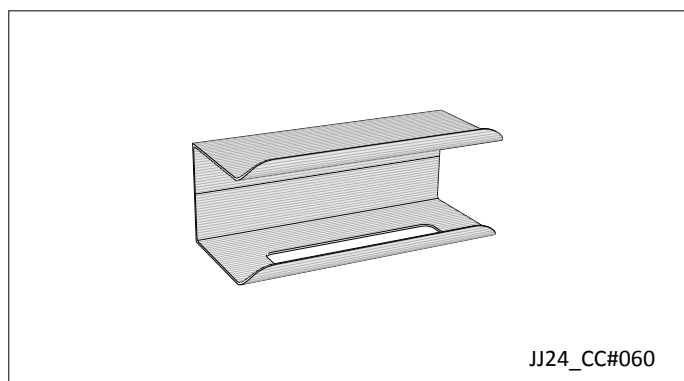
Ludovica Serafini+Roberto Palomba design



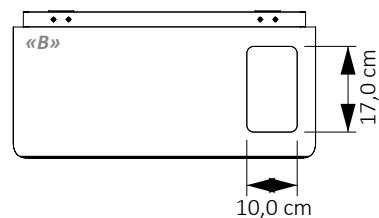
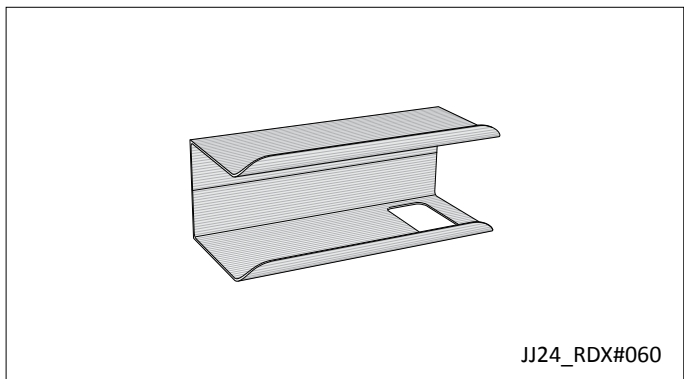
The bliss of always having  
a warm towel. 24V  
electric version



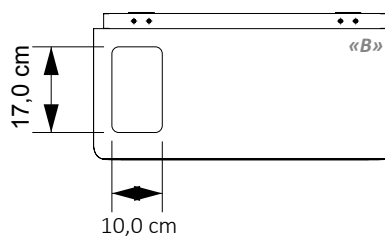
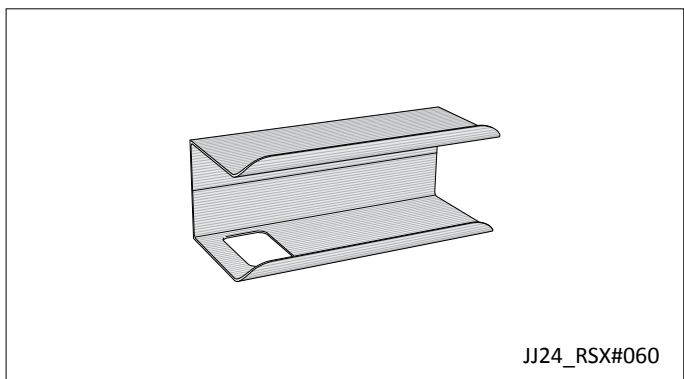
JJ24#060  
 Without towel rail



JJ24\_CC#060  
 Towel rail - Centred



JJ24\_RDX#060  
Towel rail - Rectangular Right-hand



JJ24\_RSX#060  
Towel rail - Rectangular Left-hand

**JJ electric 24V, L.60 cm**

JJ is available in all the colours of the Tubes colour chart, with the exception of glossy and wrinkled RAL.

Model	Description	H (cm)	L (cm)	Output	MATT finishes only*	
					Price Category C1/C2 (€)	Price Category Cat. C3 (€)
JJ24#060916P	JJ electric 24V, without Towel Rail, L.60 cm	22,0	60,0	120 w		
JJ24_RSX#060916P	JJ electric 24V, hole for Rectangular LH Towel Rail, L.60 cm					
JJ24_RDX#060916P	JJ electric 24V, hole for Rectangular RH Towel Rail, L.60 cm					
JJ24_CC#060916P	JJ electric 24V, hole for Centred Towel Rail, L.60 cm					

\* For RAL colours not included in the chart, MATT only, the additional charge will be 35% on the price of category C1/C2 - request feasibility in advance.

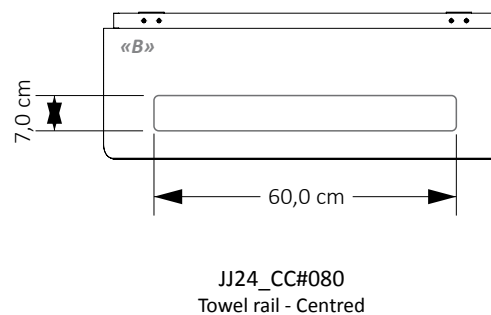
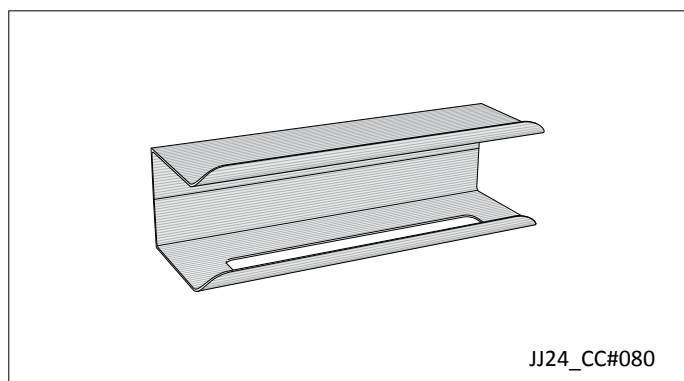
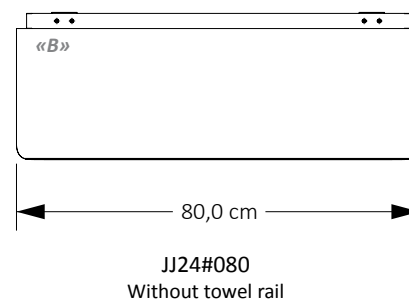
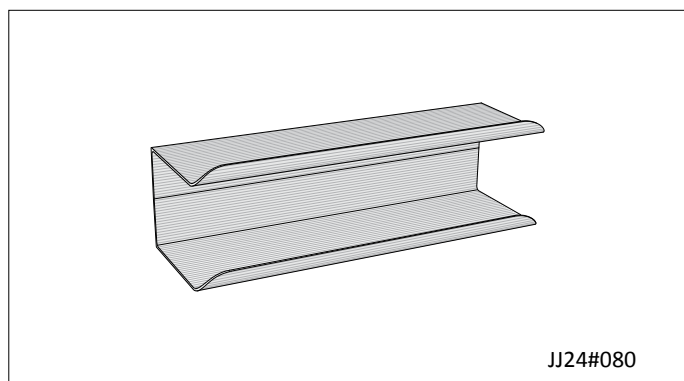
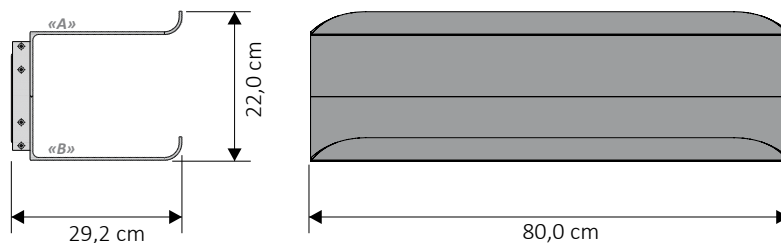
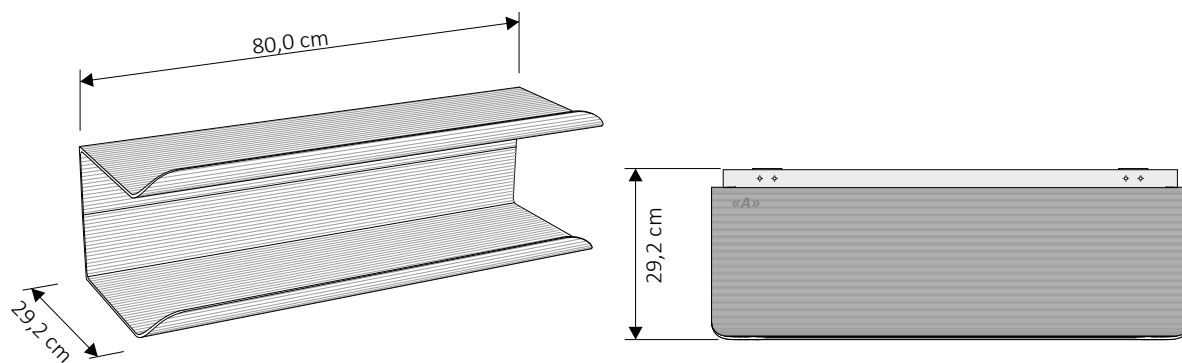
**Transformer KIT\*\*** Required component

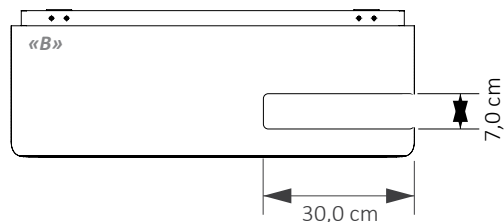
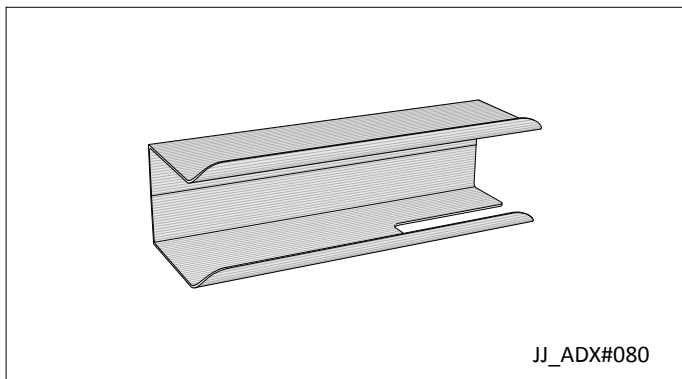
Model	Description	Price (€)
KIT_TSF2#01---	Recessed transformer kit without set-up for switch 1X150W (dimensions 28.7x15.4x7.0 cm)	

\*\* The Kit includes the recessed box and the transformer.

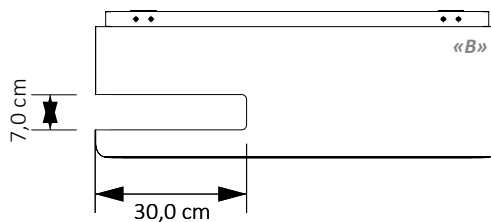
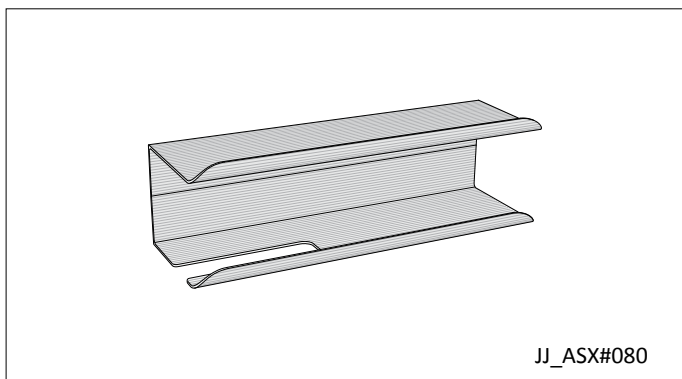
**ELECTRICAL MANAGEMENT**

Like the models in the Elements collection, JJ can be connected to the electrical system via thermostat too. To find out more about the Tubes line of ZRF thermostats, check page 52 of this price list.





JJ\_ADX#080  
Towel rail - Rectangular Right-hand



JJ\_ASX#080  
Towel rail - Rectangular Left-hand

**JJ electric 24V, L.80 cm**

JJ is available in all the colours of the Tubes colour chart, with the exception of glossy and wrinkled RAL.

Model	Description	H (cm)	L (cm)	Output	MATT finishes only*	
					Price Category C1/C2 (€)	Price Category Cat. C3 (€)
JJ24#080916P	JJ electric 24V, without Towel Rail, L.80 cm	22,0	80,0	150 w		
JJ24_CC#080916P	JJ electric 24V, hole for Centred Towel Rail, L.80 cm					
JJ24_ASX#080916P	JJ electric 24V, hole for Rectangular LH Towel Rail, L.80 cm					
JJ24_ADX#080916P	JJ electric 24V, hole for Rectangular RH Towel Rail, L.80 cm					

\* For RAL colours not included in the chart, MATT only, the additional charge will be 35% on the price of category C1/C2 - request feasibility in advance.

**Transformer KIT\*\*** Required component

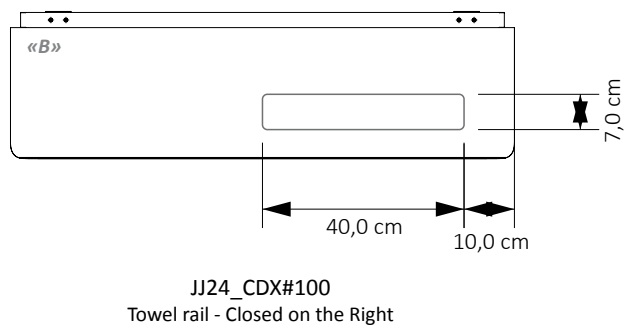
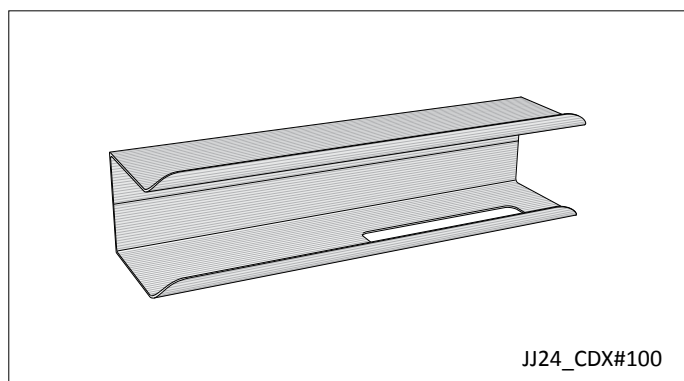
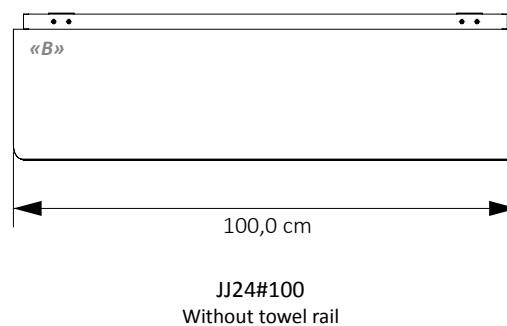
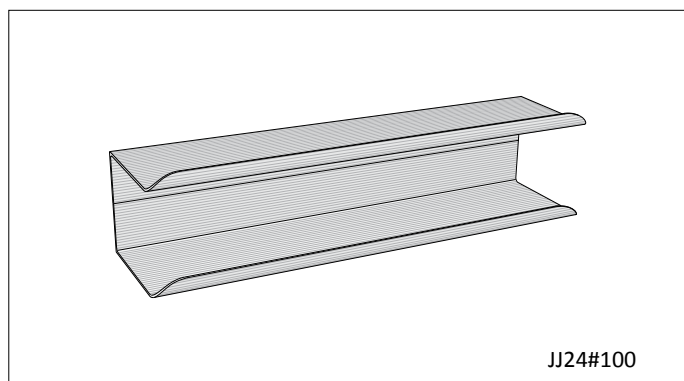
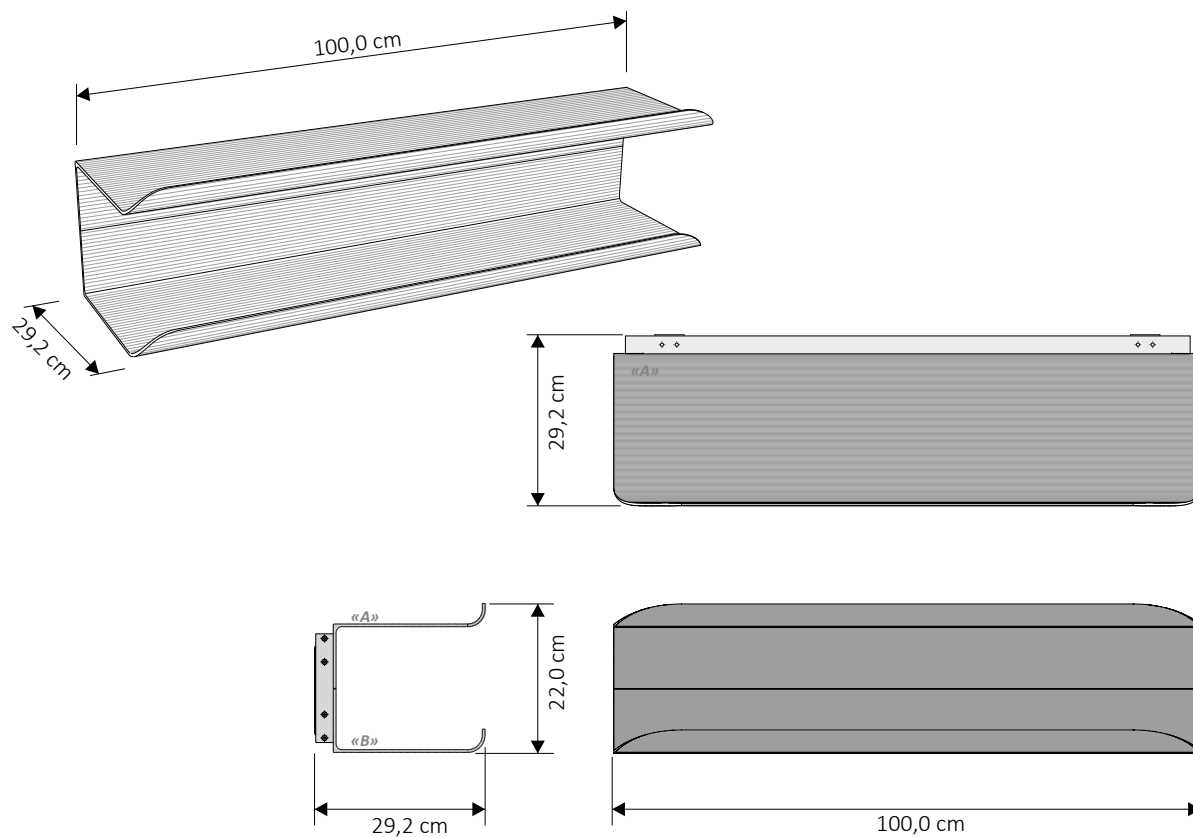
Model	Description	Price (€)
KIT_TSF2#01---	Recessed transformer kit without set-up for switch 1X150W (dimensions 28.7x15.4x7.0 cm)	

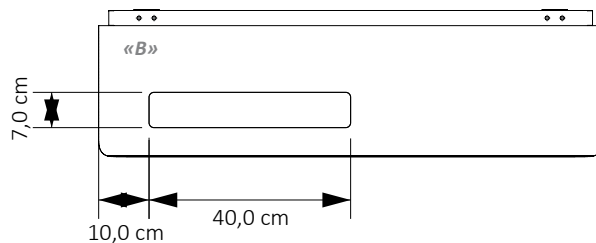
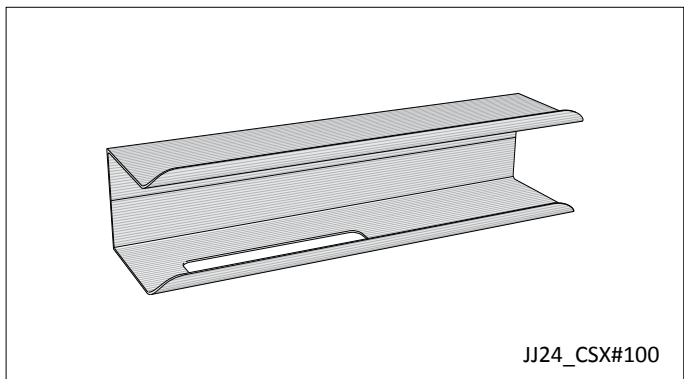
\*\* The Kit includes the recessed box and the transformer.

**ELECTRICAL MANAGEMENT**

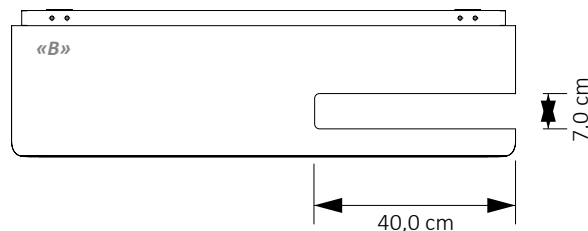
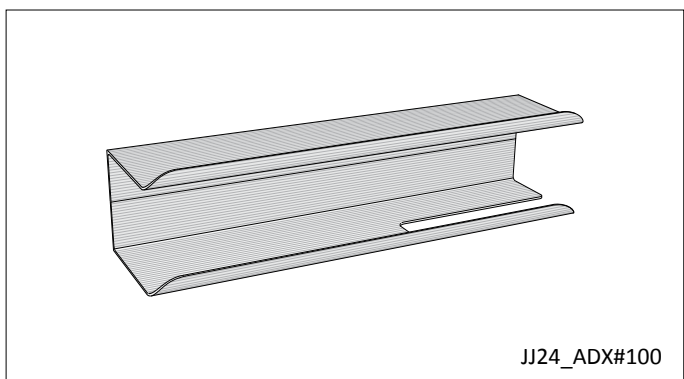
Like the models in the Elements collection, JJ can be connected to the electrical system via thermostat too.

To find out more about the Tubes line of ZRF thermostats, check page 52 of this price list.

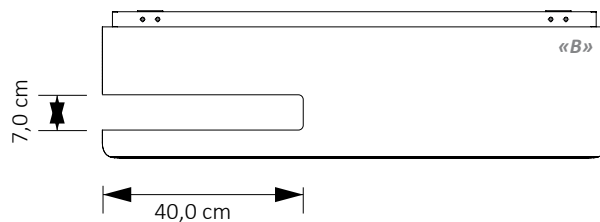
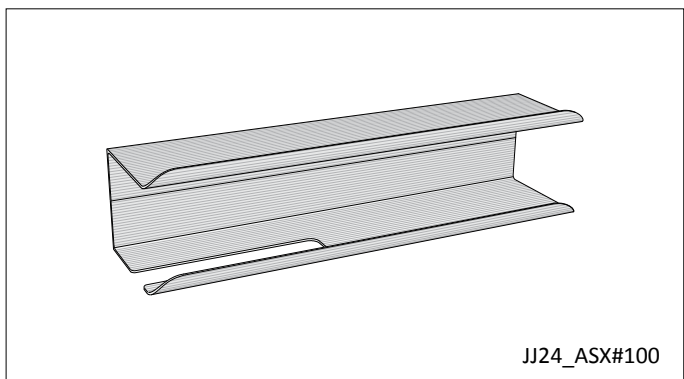




JJ24\_CSX#100  
Towel rail - Closed on the Left



JJ24\_ADX#100  
Towel rail - Open on the Right



JJ24\_ASX#100  
Towel rail - Open on the Left

**JJ electric 24V, L.100 cm**

JJ is available in all the colours of the Tubes colour chart, with the exception of glossy and wrinkled RAL.

Model	Description	H (cm)	L (cm)	Output	MATT finishes only*	
					Price Category C1/C2 (€)	Price Category Cat. C3 (€)
JJ24#100	JJ electric 24V, without Towel Rail, L.100 cm	22,0	100,0	240 w		
JJ24_CD#100	JJ electric 24V, hole for Towel Rail Closed on the Right, L.100 cm					
JJ24_CSX#100	JJ electric 24V, hole for Towel Rail Closed on the Left, L.100 cm					
JJ24_ADX#100	JJ electric 24V, hole for Towel Rail Open on the Right, L.100 cm					
JJ24_ASX#100	JJ electric 24V, hole for Towel Rail Open on the Left, L.100 cm					

\* For RAL colours not included in the chart, MATT only, the additional charge will be 35% on the price of category C1/C2 - request feasibility in advance.

**Transformer KIT\*\*** Required component

Model	Description	Price (€)
KIT_TSF3#01---	Recessed transformer kit without set-up for switch 2X150W (dimensions 39.7x15.4x7.0 cm)	

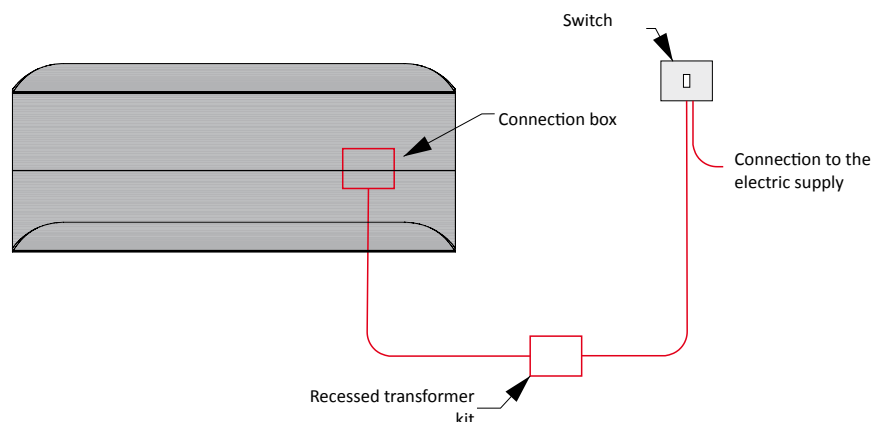
\*\* The Kit includes the recessed box and the transformer.

**ELECTRICAL MANAGEMENT**

Like the models in the Elements collection, JJ can be connected to the electrical system via thermostat too. To find out more about the Tubes line of ZRF thermostats, check page 52 of this price list.

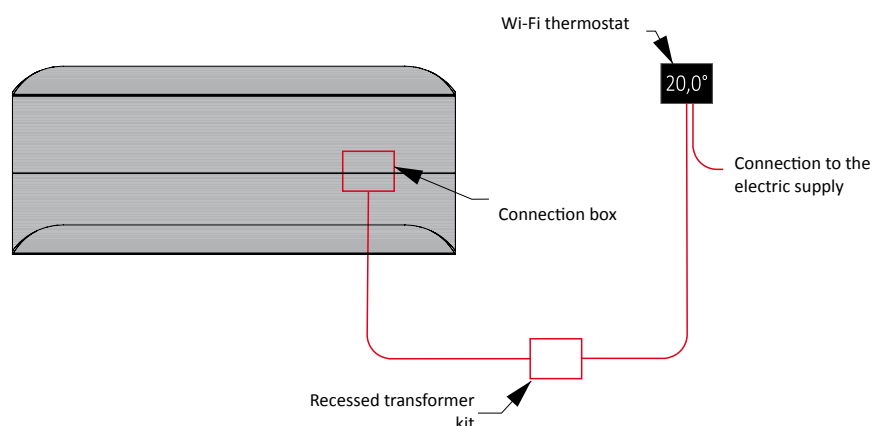
## CONNECTION AND CONTROL MODE

### DIRECT connection



DIRECT connection to the electric supply and/or to the system.

### Connection to the Wi-Fi Thermostat (New)

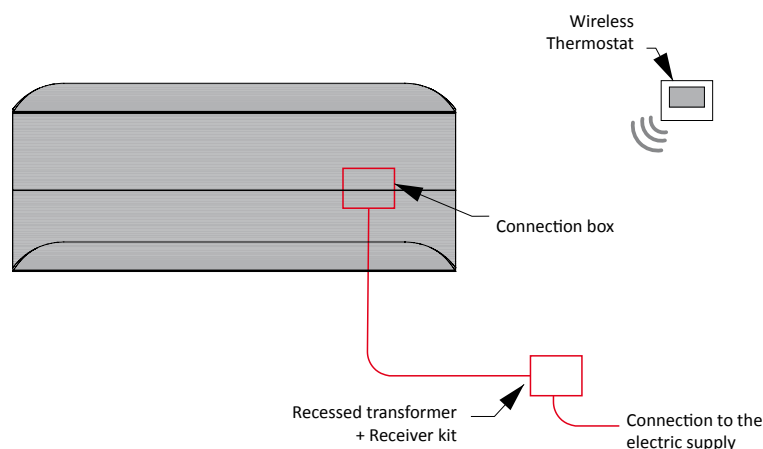


Connection to the Wi-Fi thermostat.

Using the Wi-Fi connection, the radiator can be managed manually on the display or remotely via the Vimar View App and/or voice assistants (Google Home, Amazon Alexa, IFTTT services).

The thermostat is supplied as an accessory upon request.

### Connection to the Wireless Thermostat (ZRF007)



Connection via Wireless Thermostat

Using the connection of a radio receiver located inside the connection box to the electric supply, the radiator can be managed manually on the thermostat display.

The thermostat is supplied as an accessory upon request.

**CAUTION:**  
MAX distance between Transformer kit and radiator 10 m with cable cross-section of 1.5 mm; if the distance increases, the cable cross-section must be increased in proportion.  
The cable is NOT supplied.

### ELECTRICAL MANAGEMENT

Like the models in the Elements collection, JJ can be connected to the electrical system via thermostat too.  
To find out more about the Tubes line of ZRF thermostats, check page 52 of this price list.