

DOTS

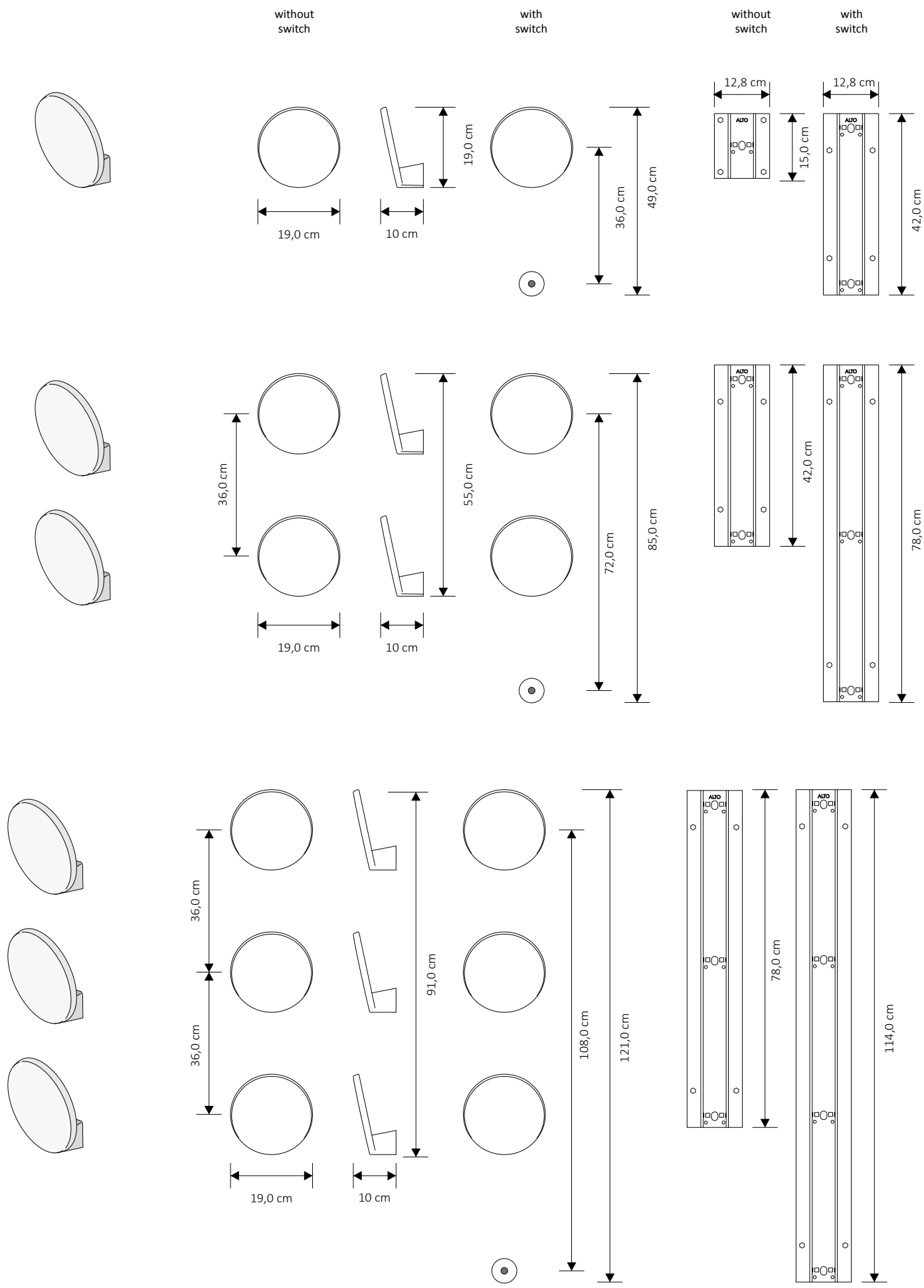
Ludovica Serafini+Roberto Palomba design

One or more freely-positionable electric heating elements (24V), also in the shower



external part of DOTS.

recessed part for DOTS.



DOTS.

EXTERNAL part

Model	Description	H (cm)	L (cm)	Output	Coloured Finishes*	
					Price Category C0/C1/C2 (€)	Price Category Cat. C3 (€)
DTS1#...9010	DOTS. single element, electric 24V.	19,0	19,0	19 w		
DTS2#...9010	DOTS. double element, electric 24V.	55,0	19,0	38 w		
DTS3#...9010	DOTS. triple element, electric 24V.	91,0	19,0	57 w		

* For RAL colours not included in the chart, the additional charge will be 35% on the price of category C0/C1/C2 - request feasibility in advance.

RECESSED part for DOTS.. VERTICAL (Compulsory Component)

Model	Description	Price (€)
Version WITHOUT switch		
INC_DTS#01-	Recess for single DOTS. WITHOUT set-up for switch	
INC_DTS#02V---	Recess for double Vertical DOTS. WITHOUT set-up for switch	
INC_DTS#03V---	Recess for triple Vertical DOTS. WITHOUT set-up for switch	
Version WITH switch		
INC_DTS#01-INT	Recess for single DOTS. WITH set-up for switch	
INC_DTS#02VINT	Recess for double Vertical DOTS. WITH set-up for switch	
INC_DTS#03VINT	Recess for triple Vertical DOTS. WITH set-up for switch	

N.B. the RECESSED part is between 6 and 8 cm thick

Transformer KIT Required component**

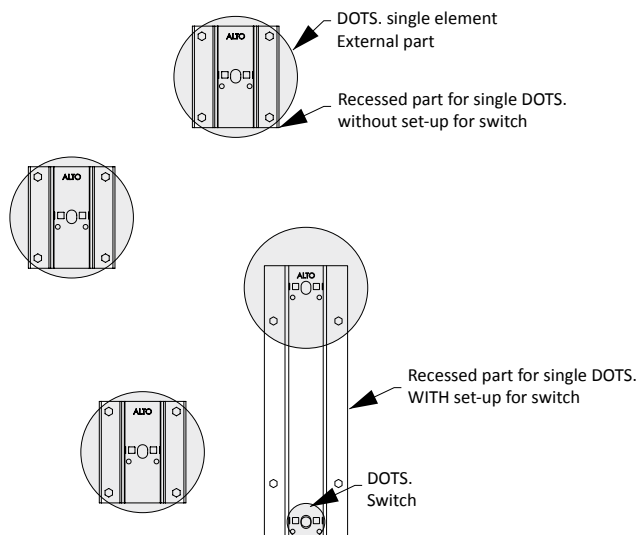
Model	Description	Price (€)
KIT_TSF1#01---	Transformer kit without set-up for switch (max150W)	
KIT_TSF1#01INT	Transformer kit set up for switch (max150W)	

** The recessed part also includes the 24V transformer and set-up for electrical connections.

Switch

Model	Description	Price (€)
INT_DTS#9010	Switch for Coloured DOTS. C0/C1/C2/C3 (Cable L. 4.0 m)	

FREE composition example

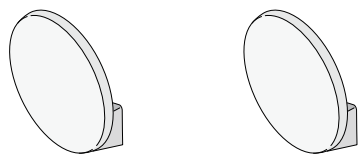


The DOTS. model allows you to achieve the utmost levels of heating customisation

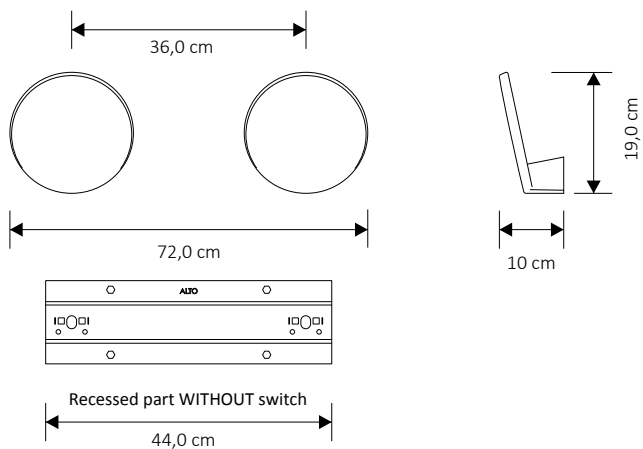
The FREE composition allows the designer to select the number of elements to position on the wall and to place them freely on it

In the example opposite, the components are:

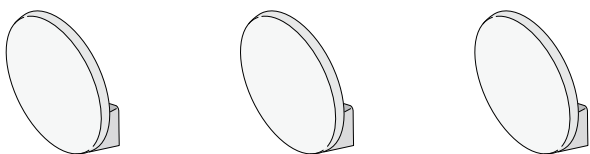
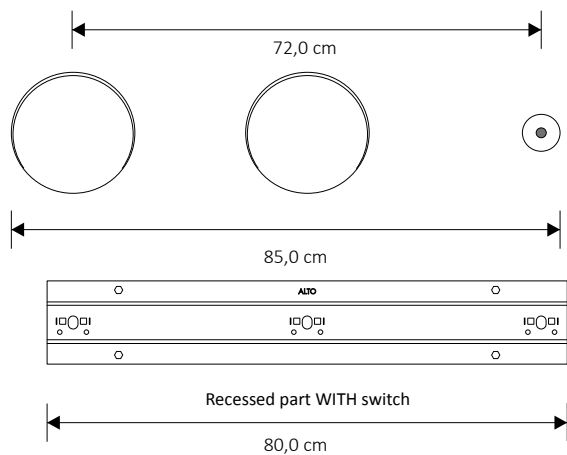
- 04 (four) single DOTS. external part
- 03 (three) RECESSED part for single DOTS. without set-up for switch
- 01 (one) RECESSED part for single DOTS. with set-up for switch
- 01 (one) Transformer KIT (each Transformer Kit applies to 7 DOTS.)
- 01 (one) Switch



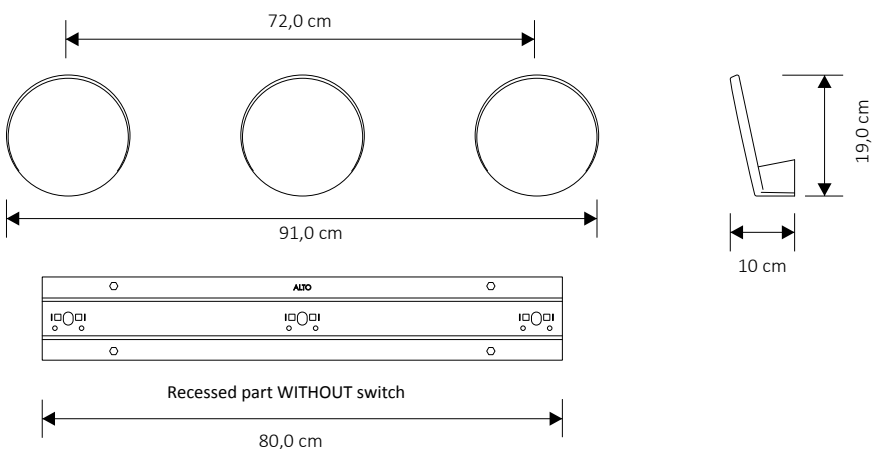
Version WITHOUT switch



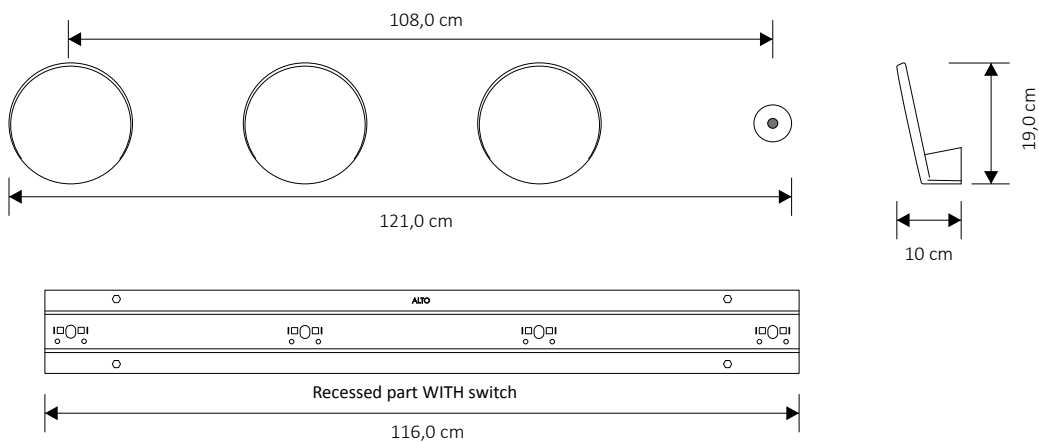
Version WITH switch



Version WITHOUT switch



Version WITH switch



DOTS.

EXTERNAL part

Model	Description	L (cm)	H (cm)	Output	Coloured Finishes*	
					Price Category C0/C1/C2 (€)	Price Category Cat. C3 (€)
DTS1#...9010	DOTS. single element, electric 24V.	19,0	19,0	19 w		
DTS2#...9010	DOTS. double element, electric 24V.	55,0	19,0	38 w		
DTS3#...9010	DOTS. triple element, electric 24V.	91,0	19,0	57 w		

* For RAL colours not included in the chart, the additional charge will be 35% on the price of category C0/C1/C2 - request feasibility in advance.

RECESSED part for DOTS.. HORIZONTAL (Compulsory Component)

Model	Description	Price (€)
Version WITHOUT switch		
INC_DTS#01---	Recess for single DOTS. WITHOUT set-up for switch	
INC_DTS#02O---	Recess for double Horizontal DOTS. WITHOUT set-up for switch	
INC_DTS#03O---	Recess for triple Horizontal DOTS. WITHOUT set-up for switch	
Version WITH switch		
INC_DTS#01-INT	Recess for single DOTS. WITH set-up for switch	
INC_DTS#02OINT	Recess for double Horizontal DOTS. WITH set-up for switch	
INC_DTS#03OINT	Recess for triple Horizontal DOTS. WITH set-up for switch	

N.B. the RECESSED part is between 6 and 8 cm thick

Transformer KIT Required component**

Model	Description	Price (€)
KIT_TSF1#01---	Transformer kit without set-up for switch (max150W)	
KIT_TSF1#01INT	Transformer kit set up for switch (max150W)	

** The recessed part also includes the 24V transformer and set-up for electrical connections.

Switch

Model	Description	Price (€)
INT_DTS#9010	Switch for Coloured DOTS. C0/C1/C2/C3 (Cable L. 4.0 m)	

