

NIVEAU HORIZONTAL



Datasheet

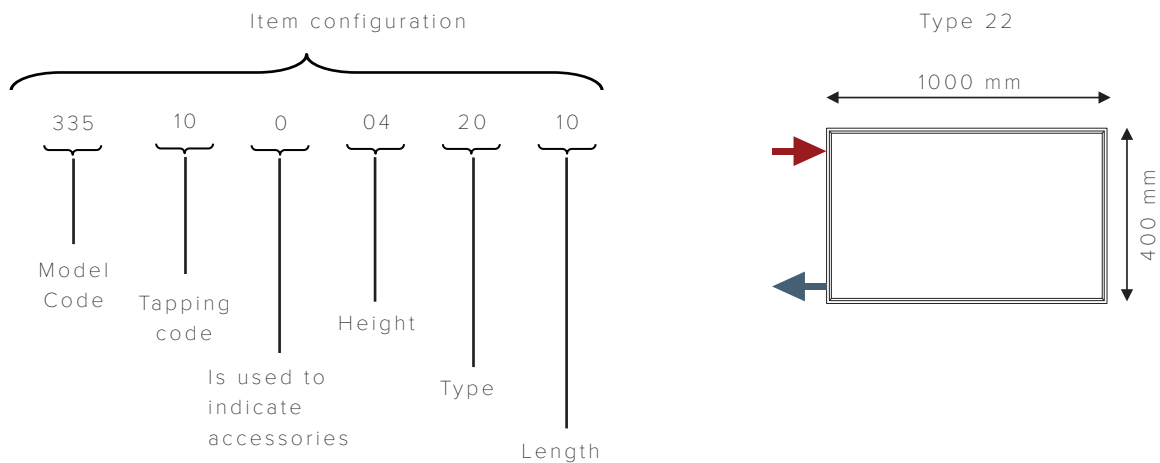
INDEX

Specification	2
Description.....	3
Tapping overview with measurements	4
Built-in valves	8
Other options.....	8
Illustrations	9
Dimensions.....	10
Output.....	12
Accessories	13
Availability Matrix.....	14

SPECIFICATION

HOW TO SPECIFY AN ITEM

Item number example 335100042210



Note

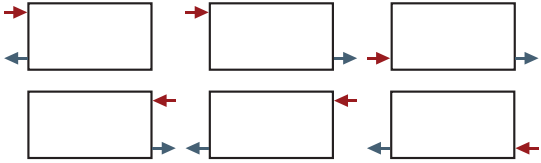

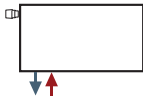




Thermostat sensor head is not included in the product - should be ordered separately.

DESCRIPTION

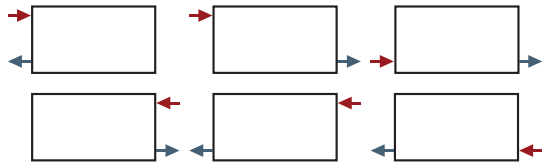
Hudevad Niveau Horizontal is a classic flat panel radiator with closed sides and top grille which fits into any modern environment. The radiator is timeless in its design and will complement all homes and create calm and balance in any interior. Hudevad Niveau Horizontal is easy to clean and can be painted in a variety of colours to fit the interior or the building in which it is installed.

Material	Steel panel according to EN442
Test pressure	13 bar
Max. operating pressure	10 bar - in accordance with EN 442
Max. operating temperature	110°C
Warranty	10 years
Surface treatment	Pre-treatment by degreasing and steel phosphating. Powder coated in accordance with DIN 55900, EN 442. On the emitter the powder coating is preceded by primer coating.
Type	11, 21, 22 and 33 (Not all types are available in all tapping configurations) For type 10, 20 and 30 please refer to Niveau Hygiene
Height	300, 400, 500, 600, 700 & 900 mm For height 200, please see Niveau Lowline
Length	400 to 3000 mm, in increments of 100 mm
Depth	Type 11: 63 mm, Type 21: 79 mm, Type 22: 102 mm and Type 33: 160 mm
Tappings	All tappings 1/2" standard (adapters available) Tapping Codes 13 and 14 are Euroconus connections and may require adaptors in the UK. Please contact Hudevad for further information.
Installation	Hudevad wall brackets, air vent, blind plug, screws and rawl plugs are included. Feet for floor mounting and other custom brackets to be ordered separately.
Mounting straps	2 pcs. mounting straps up to 1700 mm and 3 pcs. from 1800 mm
Colour	Powder coated in white RAL 9016, gloss 70 Option: Painted in other colours. Please see the Hudevad Radiator Design Colour Brochure at www.hudevad.com
Options	Feet. For further options contact your local Hudevad sales agent.

TAPPING OVERVIEW

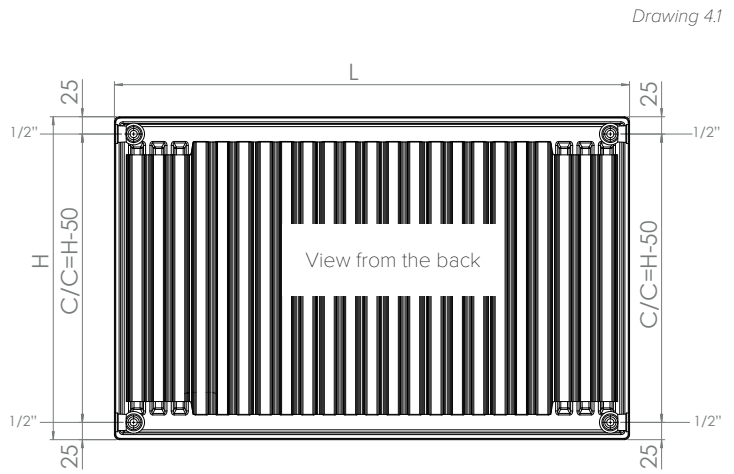
Tapping code	Tapping type	Tapping possibilities
10	ABCD (4 tap)	
11	FF built-in valve (6 tap right)	
12	EE built-in valve (6 tap left)	
13	Center tap R (8 taps, right)	
14	Center tap L (8 taps, left)	
66	E/F, with valve right	
67	E/F, with valve left	

TAPPING CODE 10 - TAPPING POSSIBILITIES ABCD



View from the front

H, mm	L in mm
300	
400	400-3000 mm
500	in
600	100 mm
700	increments
900	



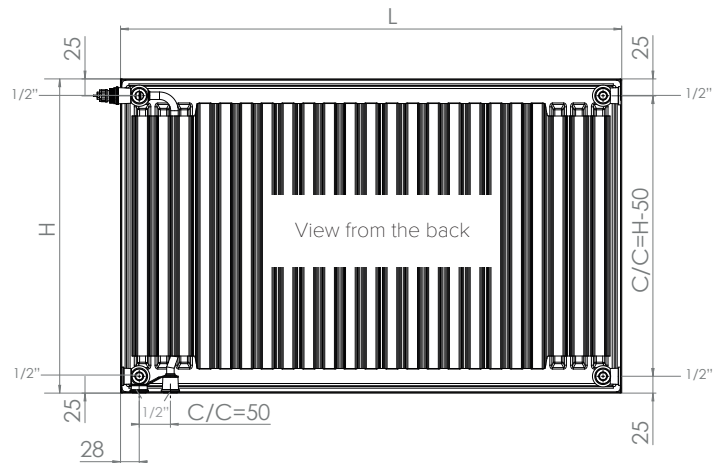
Drawing 4.1

TAPPING CODE 11 - TAPPING POSSIBILITIES - FF BUILT-IN VALVE RIGHT



View from the front

H, mm	L in mm
300	
400	400-3000 mm
500	in
600	100 mm
700	increments
900	



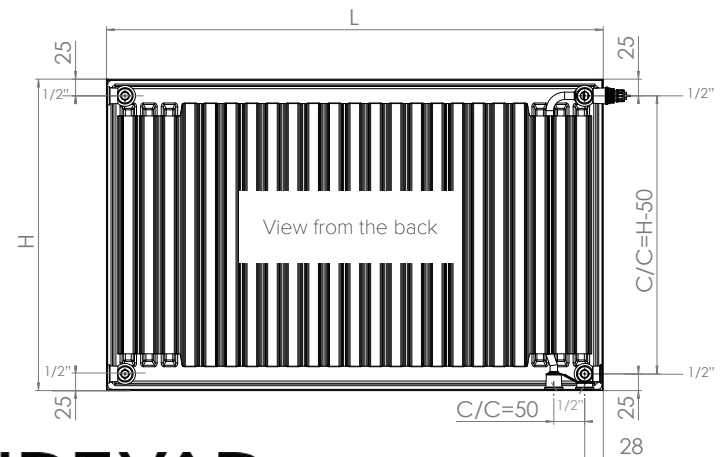
Drawing 5.1

TAPPING CODE 12 - TAPPING POSSIBILITIES - EE BUILT-IN VALVE LEFT



View from the front

H, mm	L in mm
300	
400	400-3000 mm
500	in
600	100 mm
700	increments
900	



Drawing 5.2

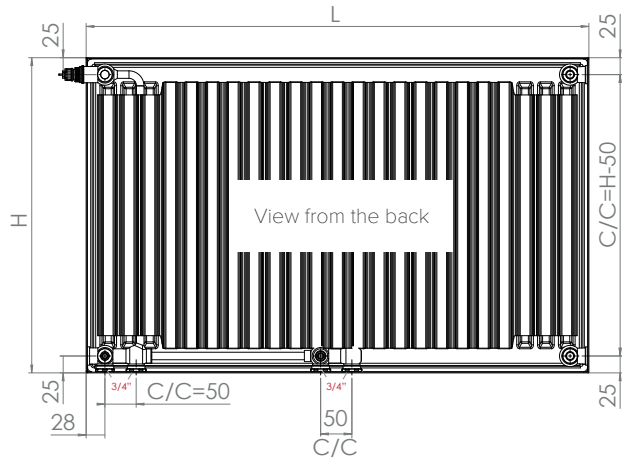
TAPPING CODE 13 - TAPPING POSSIBILITIES - CENTER TAP RIGHT

Drawing 6.1



View from the front

H, mm	L in mm
300	
400	400-3000 mm
500	in
600	100/200 mm
700	increments
900	



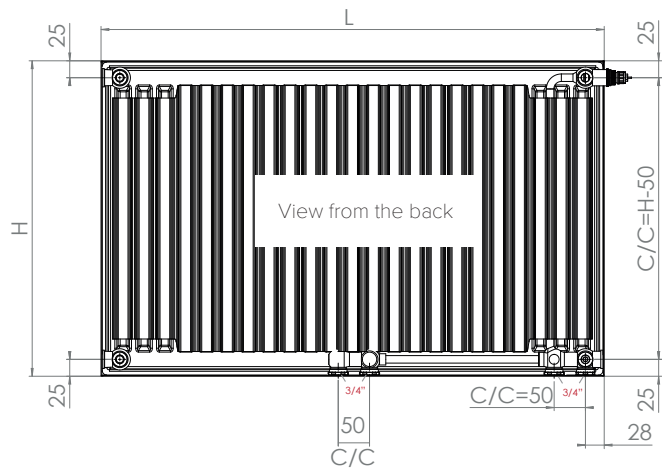
TAPPING CODE 14 - TAPPING POSSIBILITIES, CENTER TAP LEFT

Drawing 6.2



View from the front

H, mm	L in mm
300	
400	400-3000 mm
500	in
600	100/200 mm
700	increments
900	



Note

Type 11 is not possible in this tapping configuration

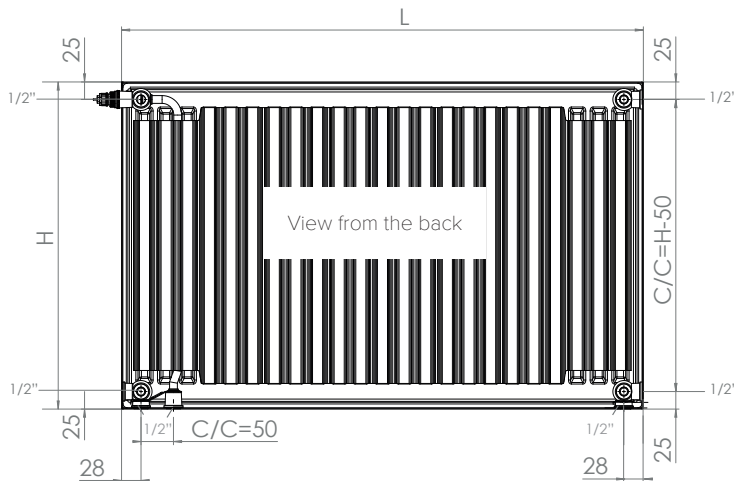
TAPPING CODE 66 - TAPPING POSSIBILITIES - E/F, VALVE RIGHT

Drawing 7.1



View from the front

H, mm	L in mm
300	
400	400-3000 mm
500	in
600	100/200 mm
700	increments
900	



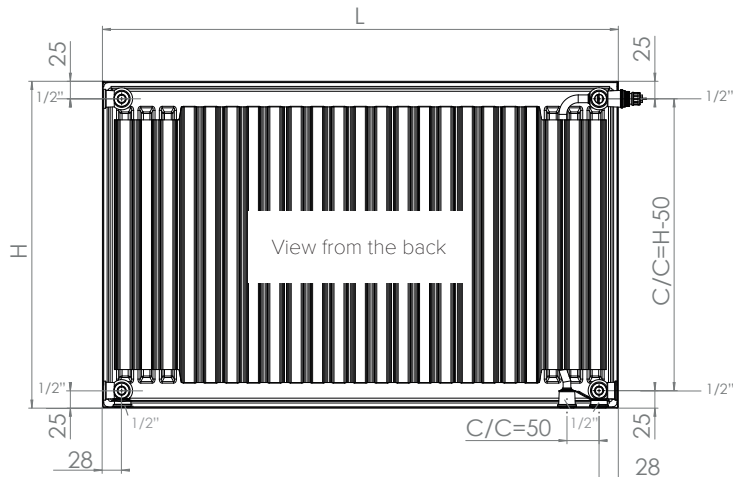
TAPPING CODE 67 - TAPPING POSSIBILITIES, E/F, VALVE LEFT

Drawing 7.2

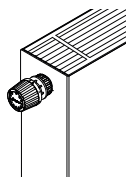


View from the front

H, mm	L in mm
300	
400	400-3000 mm
500	in
600	100/200 mm
700	increments
900	



BUILT-IN VALVES



Drawing 8.1

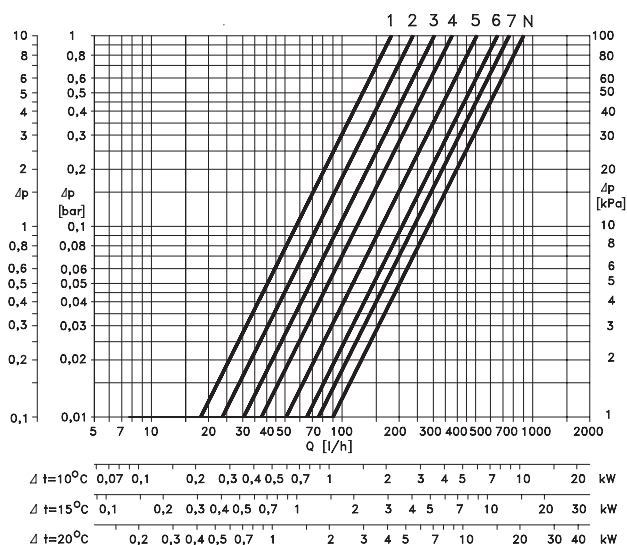
Application For use where a thermostatic valve is to be integrated within the radiator

Built-in valve Tapping codes 11 - 14 and 66 and 67 are fitted with a Danfoss RA-N valve.

Tapping code 11, 12, 13, 14, 66 and 67
Built-in valve

Drawing 8.2

Type	Code No.
RA-N	013G1382



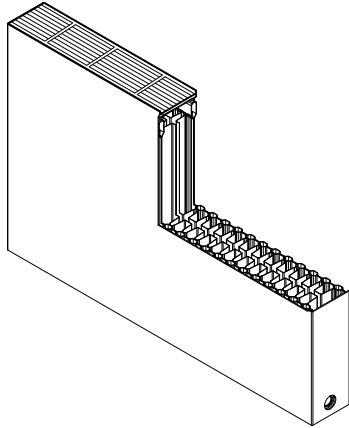
OTHER OPTIONS

OTHER CONNECTIONS

Sometimes a build or location requires something out of the ordinary, so if you need a connection not mentioned in our tapping overview, then please contact our sales office at contact@hudevad.com and we will do our utmost to assist you

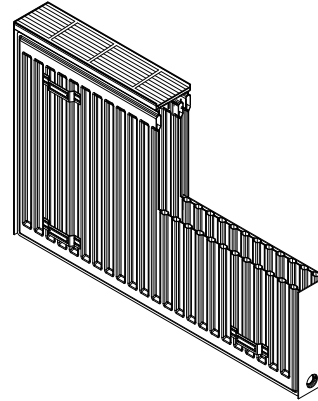
ILLUSTRATIONS

VIEW FROM THE FRONT



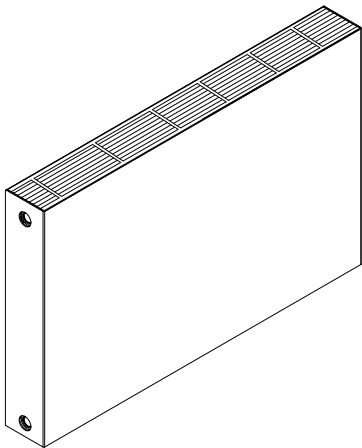
Drawing 9.1

VIEW FROM THE BACK



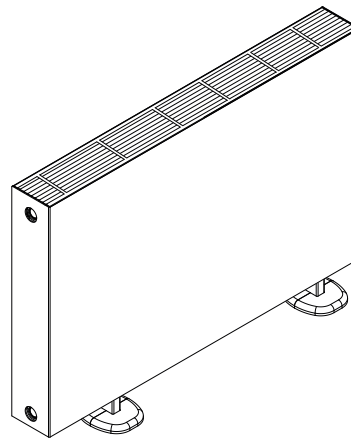
Drawing 9.2

WALL MOUNTED



Drawing 9.3

FLOOR MOUNTED (OPTIONAL)



Drawing 9.4

DIMENSIONS

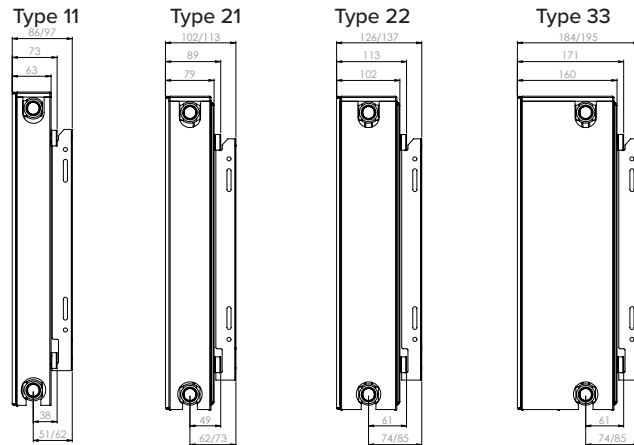
TAPPING CODES WITH MOUNTING STRAPS

10
11
12
66
67

Drawing 10.1

Are types all delivered with Hudevad standard brackets.

Please note that the supplied wall brackets allow for two settings of wall distance, both of which are shown e.g. 74/85.



TAPPING CODES WITH/WITHOUT MOUNTING STRAPS

13
14

Drawing 10.2

Type 11 is delivered with mounting straps.
All types will be delivered with J brackets.

Note

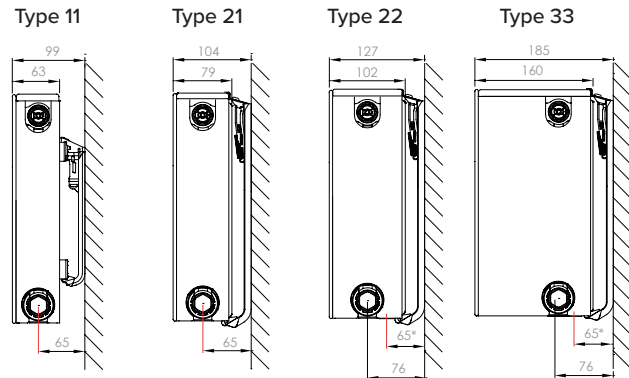
Wall distance for center tapping
(tapping code 13 and 14)

Right-hand version = 65 mm

Left hand version = 65 mm (Type 21)

76 mm (Type 22 and 33)

Type 11 is not possible in a left hand version.

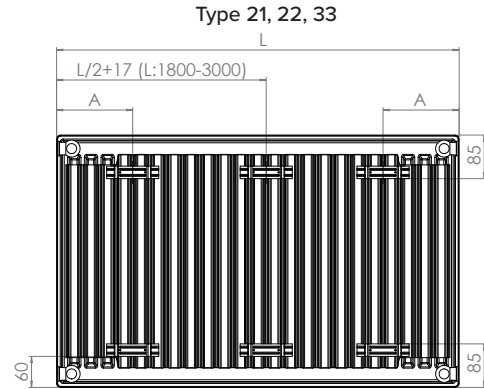
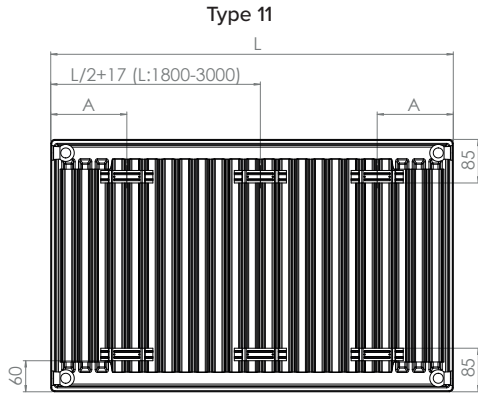


LOCATION OF MOUNTING STRAPS ALL TAPPING CODES

Drawing 11.1

L	A
400	117
500-3000	150

L	A
400-3000	133



FLOOR MOUNTED

Drawing 11.2

Adjustable Panel Radiator feet with cover

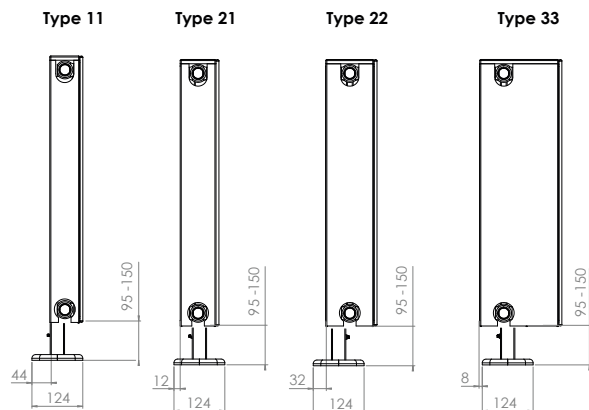
Suitable for heights 300, 400, 500 and 600 mm.

2 pcs. for length 400 – 2000 mm.
4 pcs. for length 2100 – 3000 mm.

Feet must be ordered separately.

Note

Panel Radiator feet can't be mounted on radiators with center tap (tapping code 13 and 14)



FLOOR MOUNTED

Drawing 11.3

Mounting feet with cover

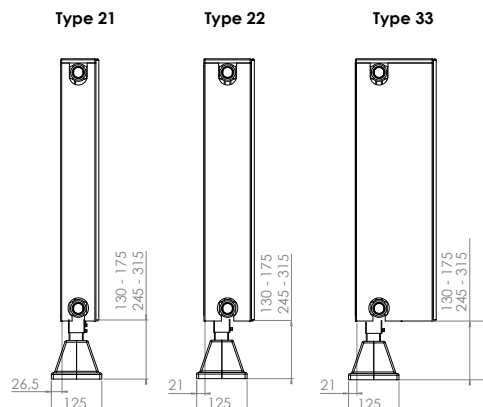
Suitable for all heights.

2 pcs. for length 400 – 2000 mm.
4 pcs. for length 2100 – 3000 mm.

Feet must be ordered separately.

Note

Mounting feet can't be mounted on type 11 radiators



OUTPUT

TAPPING CODES 10 - 14 AND 66 - 67

NIVEAU T11		Output			Water content	Weight
Height, mm	W/metre 75°/65°/20°	W/metre 70°/40°/20°	W/metre 60°/30°/20°	litres/ metre	kg/ metre	
300	496	287	168	1.89	11.9	
400	626	364	213	2.34	16.1	
500	774	490	318	2.80	20.4	
600	911	579	377	3.25	24.7	
700	1038	658	428	3.77	28.9	
900	1260	795	515	4.80	37.4	

NIVEAU T21		Output			Water content	Weight
Height, mm	W/metre 75°/65°/20°	W/metre 70°/40°/20°	W/metre 60°/30°/20°	litres/ metre	kg/ metre	
300	706	410	240	3.70	16.9	
400	889	511	296	4.67	22.9	
500	1062	663	425	4.25	28.9	
600	1227	765	490	6.60	34.9	
700	1387	866	556	7.63	40.9	
900	1690	1.058	612	9.70	52.9	

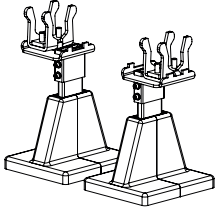
NIVEAU T22		Output			Water content	Weight
Height, mm	W/metre 75°/65°/20°	W/metre 70°/40°/20°	W/metre 60°/30°/20°	litres/ metre	kg/ metre	
300	929	539	315	3.70	16.9	
400	1177	681	397	4.67	26.4	
500	1411	884	568	5.63	33.2	
600	1634	1020	654	6.60	40.0	
700	1848	1149	734	7.63	46.8	
900	2251	1389	880	9.70	60.4	

NIVEAU T33		Output			Water content	Weight
Height, mm	W/metre 75°/65°/20°	W/metre 70°/40°/20°	W/metre 60°/30°/20°	litres/ metre	kg/ metre	
300	1346	776	451	5.40	28.0	
400	1690	970	561	6.87	38.1	
500	2017	1254	801	8.33	48.3	
600	2332	1445	919	9.80	58.4	
700	2637	1633	1039	11.37	68.5	
900	3225	1996	1270	14.50	88.8	

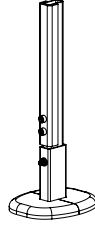
ACCESSORIES

FEET

Drawing 13.1

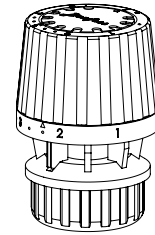
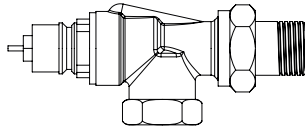
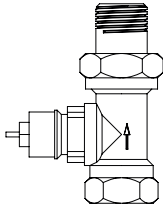


T1650-1651 Mounting feet



30204330 Panel Radiator feet

DANFOSS ACCESSORIES



Drawing 13.2

Hudevad recommends use of Danfoss accessories when fitting the radiator. For further accessories please refer to the Hudevad Pricelist.

AVAILABILITY MATRIX

TAPPINGCODE 10, 11, 12, 66 AND 67

	H300 mm				H400 mm				H500 mm				H600 mm				H700 mm				H900 mm			
Lgth./Type	11	21	22	33	11	21	22	33	11	21	22	33	11	21	22	33	11	21	22	33	11	21	22	33
400	●	●	●	●	●	●	●	●	●	●	●	●	●	●	●	●	●	●	●	●	●	●	●	
500	●	●	●	●	●	●	●	●	●	●	●	●	●	●	●	●	●	●	●	●	●	●	●	
600	●	●	●	●	●	●	●	●	●	●	●	●	●	●	●	●	●	●	●	●	●	●	●	
700	●	●	●	●	●	●	●	●	●	●	●	●	●	●	●	●	●	●	●	●	●	●	●	
800	●	●	●	●	●	●	●	●	●	●	●	●	●	●	●	●	●	●	●	●	●	●	●	
900	●	●	●	●	●	●	●	●	●	●	●	●	●	●	●	●	●	●	●	●	●	●	●	
1000	●	●	●	●	●	●	●	●	●	●	●	●	●	●	●	●	●	●	●	●	●	●	●	
1100	●	●	●	●	●	●	●	●	●	●	●	●	●	●	●	●	●	●	●	●	●	●	●	
1200	●	●	●	●	●	●	●	●	●	●	●	●	●	●	●	●	●	●	●	●	●	●	●	
1300	●	●	●	●	●	●	●	●	●	●	●	●	●	●	●	●	●	●	●	●	●	●	●	
1400	●	●	●	●	●	●	●	●	●	●	●	●	●	●	●	●	●	●	●	●	●	●	●	
1500	●	●	●	●	●	●	●	●	●	●	●	●	●	●	●	●	●	●	●	●	●	●	●	
1600	●	●	●	●	●	●	●	●	●	●	●	●	●	●	●	●	●	●	●	●	●	●	●	
1700	●	●	●	●	●	●	●	●	●	●	●	●	●	●	●	●	●	●	●	●	●	●	●	
1800	●	●	●	●	●	●	●	●	●	●	●	●	●	●	●	●	●	●	●	●	●	●	●	
1900	●	●	●	●	●	●	●	●	●	●	●	●	●	●	●	●	●	●	●	●	●	●	●	
2000	●	●	●	●	●	●	●	●	●	●	●	●	●	●	●	●	●	●	●	●	●	●	●	
2100	●	●	●	●	●	●	●	●	●	●	●	●	●	●	●	●	●	●	●	●	●	●	●	
2200	●	●	●	●	●	●	●	●	●	●	●	●	●	●	●	●	●	●	●	●	●	●	●	
2300	●	●	●	●	●	●	●	●	●	●	●	●	●	●	●	●	●	●	●	●	●	●	●	
2400	●	●	●	●	●	●	●	●	●	●	●	●	●	●	●	●	●	●	●	●	●	●	●	
2500	●	●	●	●	●	●	●	●	●	●	●	●	●	●	●	●	●	●	●	●	●	●	●	
2600	●	●	●	●	●	●	●	●	●	●	●	●	●	●	●	●	●	●	●	●	●	●	●	
2700	●	●	●	●	●	●	●	●	●	●	●	●	●	●	●	●	●	●	●	●	●	●	●	
2800	●	●	●	●	●	●	●	●	●	●	●	●	●	●	●	●	●	●	●	●	●	●	●	
2900	●	●	●	●	●	●	●	●	●	●	●	●	●	●	●	●	●	●	●	●	●	●	●	
3000	●	●	●	●	●	●	●	●	●	●	●	●	●	●	●	●	●	●	●	●	●	●	●	

AVAILABILITY MATRIX

TAPPINGCODE 13 - CENTER TAPPING, RIGHT

	H300 mm				H400 mm				H500 mm				H600 mm				H700 mm				H900 mm			
Lgth./Type	11	21	22	33	11	21	22	33	11	21	22	33	11	21	22	33	11	21	22	33	11	21	22	33
400	●	●	●	●	●	●	●	●	●	●	●	●	●	●	●	●	●	●	●	●	●	●	●	
500	●	●	●	●	●	●	●	●	●	●	●	●	●	●	●	●	●	●	●	●	●	●	●	
600	●	●	●	●	●	●	●	●	●	●	●	●	●	●	●	●	●	●	●	●	●	●	●	
700	●	●	●	●	●	●	●	●	●	●	●	●	●	●	●	●	●	●	●	●	●	●	●	
800	●	●	●	●	●	●	●	●	●	●	●	●	●	●	●	●	●	●	●	●	●	●	●	
900	●	●	●	●	●	●	●	●	●	●	●	●	●	●	●	●	●	●	●	●	●	●	●	
1000	●	●	●	●	●	●	●	●	●	●	●	●	●	●	●	●	●	●	●	●	●	●	●	
1100	●	●	●	●	●	●	●	●	●	●	●	●	●	●	●	●	●	●	●	●	●	●	●	
1200	●	●	●	●	●	●	●	●	●	●	●	●	●	●	●	●	●	●	●	●	●	●	●	
1300	●	●	●	●	●	●	●	●	●	●	●	●	●	●	●	●	●	●	●	●	●	●	●	
1400	●	●	●	●	●	●	●	●	●	●	●	●	●	●	●	●	●	●	●	●	●	●	●	
1500																								
1600		●	●	●	●	●	●	●	●	●	●	●	●	●	●	●	●	●	●	●	●	●	●	
1700																								
1800		●	●	●	●	●	●	●	●	●	●	●	●	●	●	●	●	●	●	●	●	●	●	
1900																								
2000		●	●	●	●	●	●	●	●	●	●	●	●	●	●	●	●	●	●	●	●	●	●	
2100																								
2200		●	●	●		●	●	●	●	●	●	●	●	●	●	●	●	●	●	●	●	●	●	
2300																								
2400		●	●	●		●	●	●	●	●	●	●	●	●	●	●	●	●	●	●	●	●	●	
2500																								
2600			●			●				●				●										
2700																								
2800			●			●				●				●										
2900																								
3000			●			●				●				●										

AVAILABILITY MATRIX

TAPPINGCODE 14 - CENTER TAPPING, LEFT

	H300 mm				H400 mm				H500 mm				H600 mm				H700 mm				H900 mm			
Lgth./Type	11	21	22	33	11	21	22	33	11	21	22	33	11	21	22	33	11	21	22	33	11	21	22	33
400		•	•	•		•	•	•		•	•	•		•	•	•		•	•	•		•	•	•
500		•	•	•		•	•	•		•	•	•		•	•	•		•	•	•		•	•	•
600		•	•	•		•	•	•		•	•	•		•	•	•		•	•	•		•	•	•
700		•	•	•		•	•	•		•	•	•		•	•	•		•	•	•		•	•	•
800		•	•	•		•	•	•		•	•	•		•	•	•		•	•	•		•	•	•
900		•	•	•		•	•	•		•	•	•		•	•	•		•	•	•		•	•	•
1000		•	•	•		•	•	•		•	•	•		•	•	•		•	•	•		•	•	•
1100		•	•	•		•	•	•		•	•	•		•	•	•		•	•	•		•	•	•
1200		•	•	•		•	•	•		•	•	•		•	•	•		•	•	•		•	•	•
1300		•	•	•		•	•	•		•	•	•		•	•	•		•	•	•		•	•	•
1400		•	•	•		•	•	•		•	•	•		•	•	•		•	•	•		•	•	•
1500																								
1600		•	•	•		•	•	•		•	•	•		•	•	•		•	•	•		•	•	•
1700																								
1800		•	•	•		•	•	•		•	•	•		•	•	•		•	•	•		•	•	•
1900																								
2000		•	•	•		•	•	•		•	•	•		•	•	•		•	•	•		•	•	•
2100																								
2200		•	•	•		•	•	•		•	•	•		•	•	•								
2300																								
2400		•	•	•		•	•	•		•	•	•		•	•	•								
2500																								
2600			•			•				•				•										
2700																								
2800			•			•				•				•										
2900																								
3000			•			•				•				•										