

KETA POWER



Datasheet

INDEX

Type and output overview..... 2
 Description..... 3
 Intelligent thermostat..... 4
 Illustration..... 5
 Dimensions..... 5
 Installation..... 6

TYPE AND OUTPUT

Length mm	Height	Output	Colour	Article Number
740 mm	600 mm	1.000 Watt	White	381016000740
1020 mm	600 mm	1.500 Watt	White	381016001020
1160 mm	600 mm	1.800 Watt	White	381016001160
740 mm	600 mm	1.000 Watt	Dark Grey	381026000740
1020 mm	600 mm	1.500 Watt	Dark Grey	381026001020
1160 mm	600 mm	1.800 Watt	Dark Grey	381026001160

DESCRIPTION

The Hudevad Keta Power is perfect for heating areas without a waterbased installation and will provide rapid uniform heat without drying the air. With the retro feel and classic look, the Keta Power will be a welcome design addition to any environment.

Keta Power is supplied with a magnetic thermostat which can be attached to the radiator or removed and used separately. The radiator is filled with a fluid which is heated up using an electrical element immersed in the fluid inside. This maintenance free and specially formulated fluid is designed to distribute the heat quickly and evenly across the radiator, which in turn emits the heat into your room through radiation.

Thanks to the numerous functions of the easy and intuitive electronic controls, consumption can be controlled to avoid wasting energy.

Material	Round vertical steel tube, acc. EN 10130:2007
Included	Prefilled with heating liquid, brackets, manual and remote control. Cable (white or black) 1200 mm, with EU plug Cable, (white or black) 900 mm without plug Please always adhere to local regulations and install the product accordingly.
Technical data	Voltage 230V AC ~50Hz, IP34, Class II
Output	Length: 740 mm: 1.000 W, 1.020 mm: 1.500 W, 1.160 mm: 1.800 W
Surface treatment	Pre-treatment by degreasing and steel phosphating. Powder coated in accordance with DIN 55900, EN 442..
Type	2 columns
Height	600 mm
Length	740, 1.020 & 1.160 mm
Depth	75 mm
Conformity	EcoDesign 2018 (EU Regulation 2015/1188)
Installation	This radiator must be wall mounted and must not be installed immediately below or in front of a power socket or directly touch the wall or floor. If installed within a bathroom, the radiator must be mounted outside areas directly affected by water splash (UK: Zone 1) and the switch / electric control must be in a dry area (UK: Zone 3).
Operation	The unit can be installed with a Pilot Wire - The home must be fitted with an automation system supporting this type of technology to use.
Warranty	5 years for the radiator/heating part and 2 years for the electrical components, as long as the installation instructions have been complied with and Hudevads warranty conditions have been met.

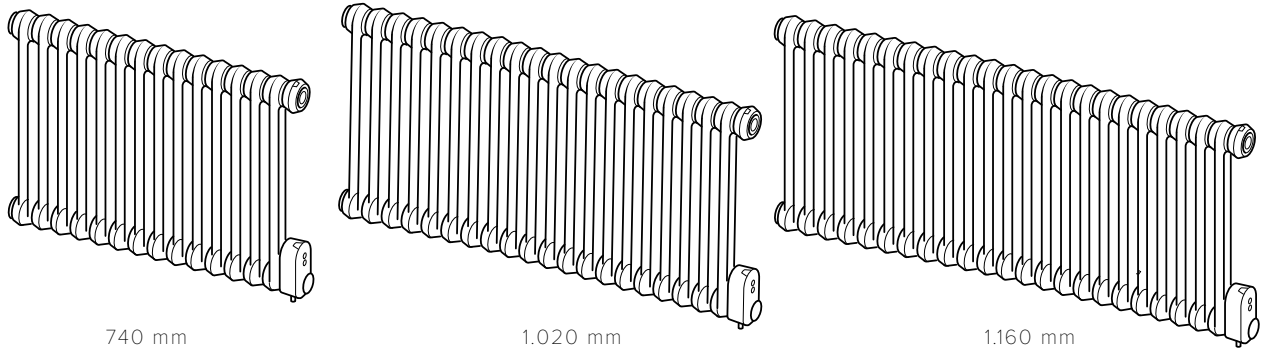
INTELLIGENT THERMOSTAT



Temperature setting	Adjustable from + 13 °C to + 30 °C
Possible operating modes	Standby, Comfort, Night/Eco, Anti-Freeze
7-day/week program	Possible
ASC	Set the temperature to be reached at a set time
Energy saving	This fixes the temperature at 17 °C
Boost/Overdrive	Can be used to heat the room quickly. The appliance heats at the maximum power for 2 hours, independently from the temperature setting.
Open window detection	Automatic switches to Anti-Freeze setting when a significant temperature drop is detected.
Child safety/keypad lock	The control panel can be locked.
Remote Control	Connection to the radiator is quick and easy. The remote control communicates with the appliance by infrared rays and responds to the commands received from the remote control with a beep.
Ergonomic	Backlit display, adjustment is simple and intuitive.
More information	The appliance is designed to heat rooms. When operating normally, the surface of the appliance becomes very hot and may cause burns. Avoid contact with parts of the body. Pay particular attention when children are present. More information, instructions and how to install can be found in the Keta Power manual.

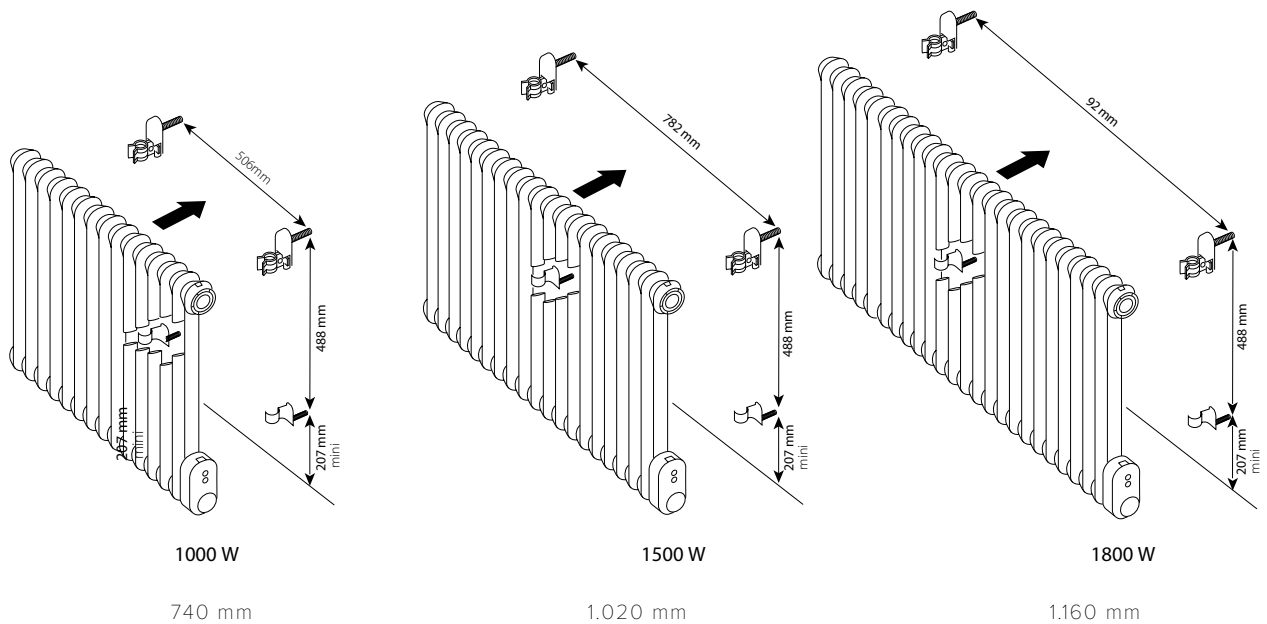
ILLUSTRATIONS

Drawing 5.1



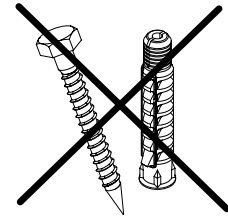
DIMENSIONS

Drawing 5.2



INSTALLATION

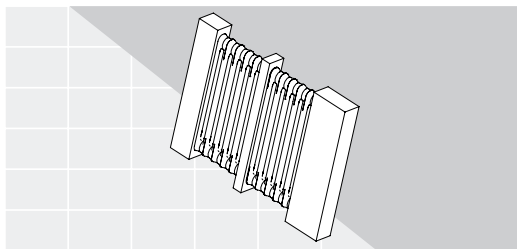
Power (W)	No. of elements	X (mm)	Zb (mm)	Z min (mm)
1000	14	506	488	695
1500	20	782	488	695
1500	23	920	488	695



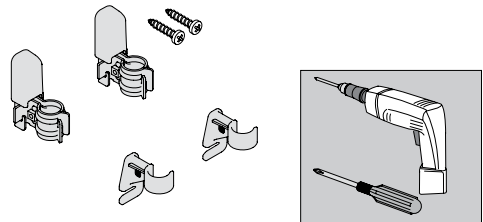
FIXINGS NOT INCLUDED

For further information on installation, brackets, etc. please see the Hudevad Keta Power manual.

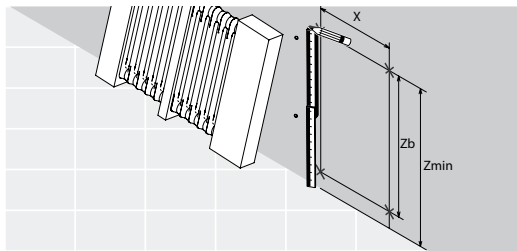
01



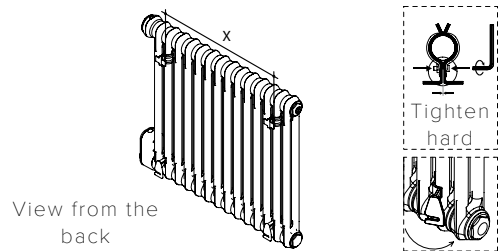
02



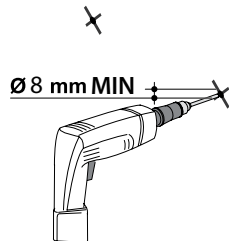
03



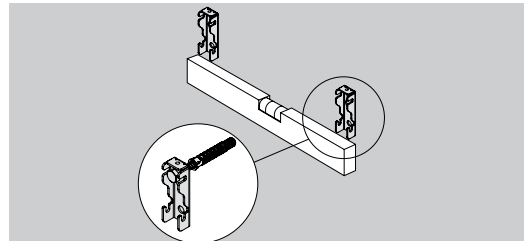
04



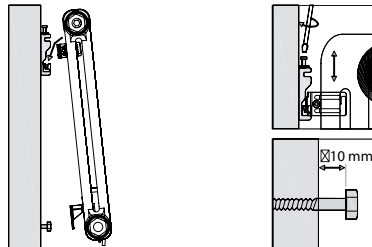
05



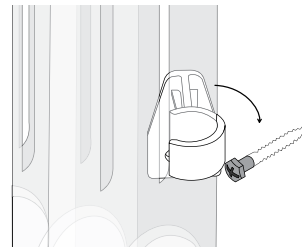
06



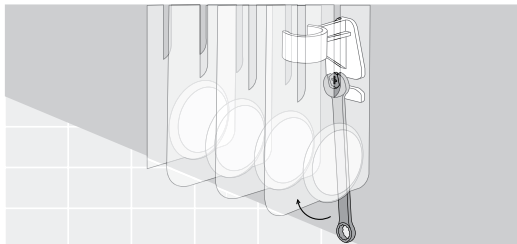
07



08



09



10

