



**TERMA**

SINCE 1990



◀ **Radiator**

ROLO HANGER 1800↑ x 205↔ SX,  
radiator colour: RAL 9016,  
radiator code: WGROW180020 K916SX

**Valves and accessories**

3-axis regulating valve set, chrome

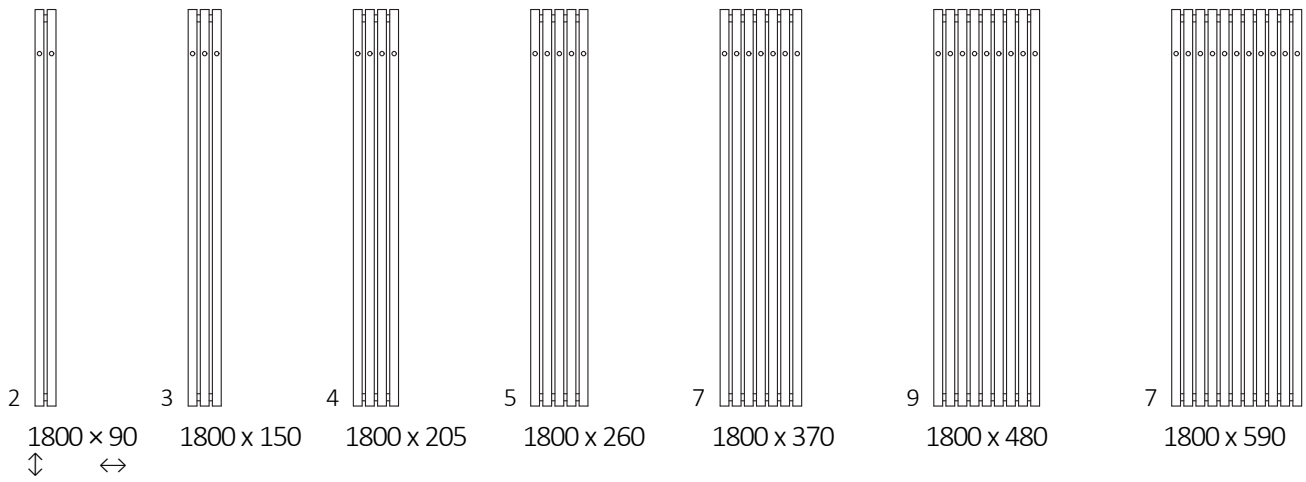
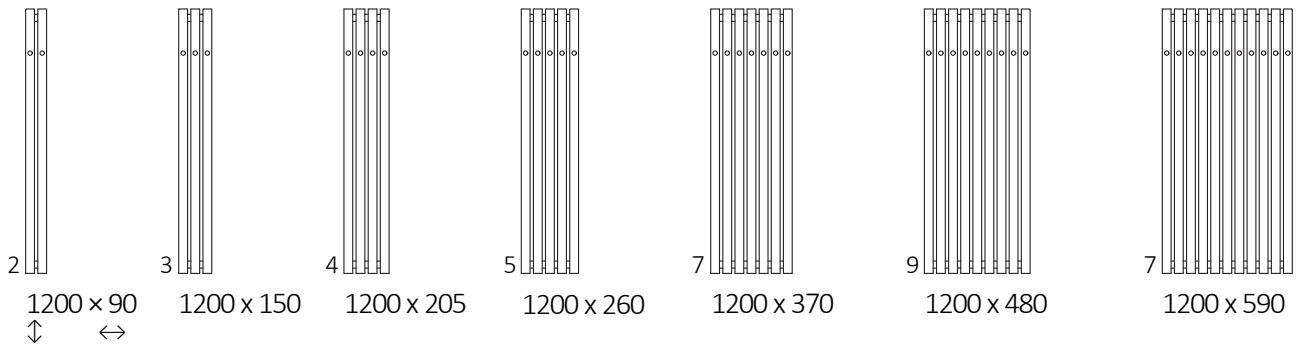
**ROLO HANGER**







### AVAILABLE SIZES



CENTRAL HEATING

Connections



Height A ↕ [mm]	Width B ↔ [mm]	Heating power			Product code <a href="#">... Configuration p.7</a>
		75/65/20°C [W]	55/45/20°C [W]	[W]	
1200	95	162	82	200	WGROW120009
1200	150	242	122	300	WGROW120015
1200	205	323	163	300	WGROW120020
1200	260	404	204	400	WGROW120026
1200	370	565	285	600	WGROW120037
1200	480	726	366	800	WGROW120048
1200	590	888	447	800	WGROW120059
1800	95	237	118	300	WGROW180009
1800	150	356	177	400	WGROW180015
1800	205	474	235	600	WGROW180020
1800	260	573	284	600	WGROW180026
1800	370	802	398	800	WGROW180037
1800	480	1 031	512	1 000	WGROW180048
1800	590	1 260	625	1 200	WGROW180059

DIMENSIONS AND TECHNICAL INFORMATION

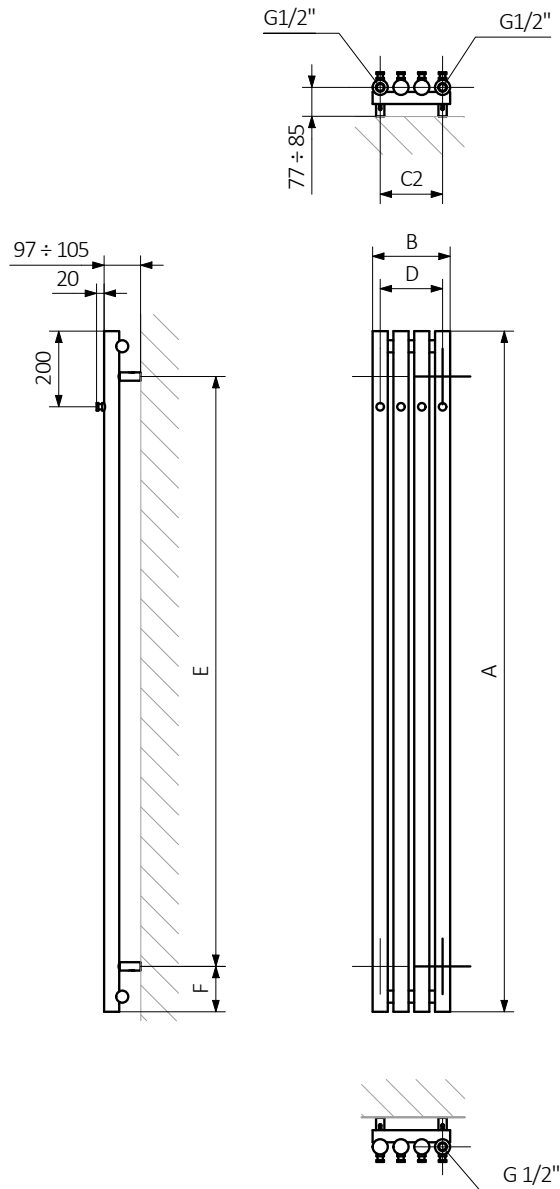
Working pressure: 1000 kPa

Maximum operating temperature: 95°C

Height A ↕ [mm]	Width B ↔ [mm]	Spacing connection C2 [mm]	Spacing connection C3 [mm]	Spacing horizontal fasteners D [mm]	Spacing vertical fasteners E [mm]	Bottom fasteners position F [mm]	Capacity [dm³]	Weight [kg]
1200	95	55	1 120	55	960	120	2,71	3,99
1200	150	110	1 120	110	960	120	4,08	5,90
1200	205	165	1 120	165	960	120	5,44	7,81
1200	260	220	1 120	110	960	120	6,81	9,72
1200	370	330	1 120	220	960	120	9,54	13,54
1200	480	440	1 120	330	960	120	12,27	17,35
1200	590	550	1 120	440	960	120	15,00	21,18
1800	95	55	1 720	55	1 560	120	4,00	5,82
1800	150	110	1 720	110	1 560	120	6,01	8,66
1800	205	165	1 720	165	1 560	120	8,02	11,51
1800	260	220	1 720	110	1 560	120	10,03	14,35
1800	370	330	1 720	220	1 560	120	14,06	19,99
1800	480	440	1 720	330	1 560	120	18,08	25,63
1800	590	550	1 720	440	1 560	120	22,10	31,28

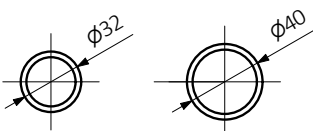
TECHNICAL DRAWING

SX



A – Height B – Width C1-C5 – Distance between pipe centres D – Horizontal distance between mounting bracket centres E – Vertical distance between mounting brackets F – Distance between a mounting bracket and the bottom of the radiator

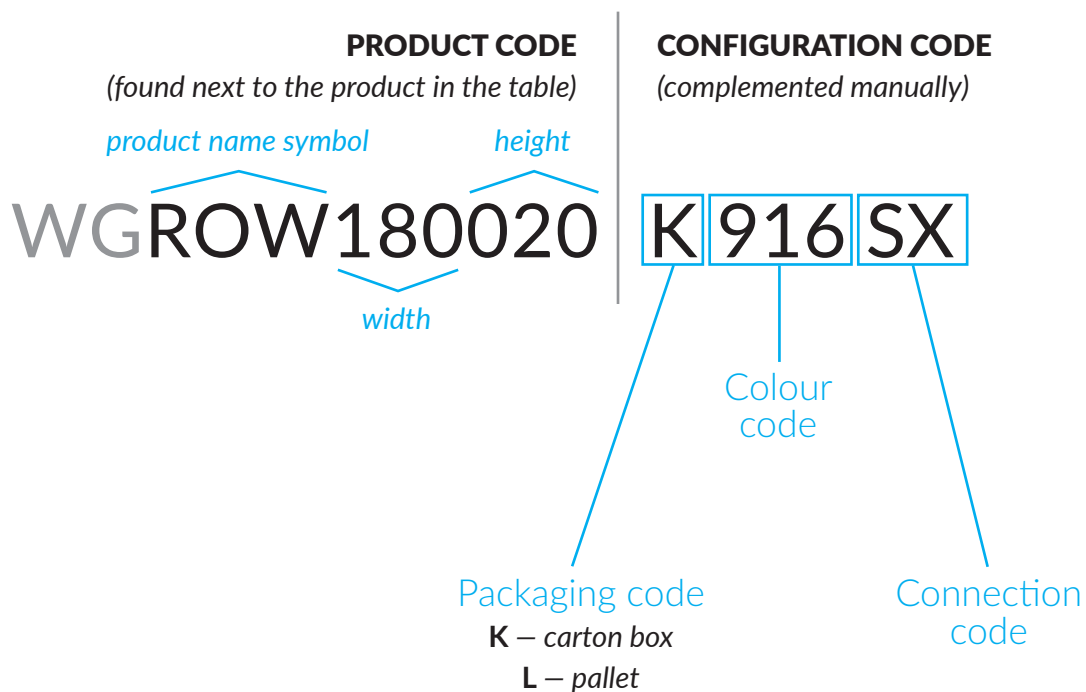
Collector: Pipe:



## CONFIGURATION CODE FOR A TOWEL RAIL OR RADIATOR ("WG" PRODUCT GROUP)

Product codes can be found in the product tables in both the catalogue and the price list. They provide basic information about the product and the configuration code contains information that complements the specification. When placing an order, the product codes should contain the fully completed configuration part. Part of the configuration code should be placed after the main product code as shown in the example below:

### CODE DETAILS:



**WG** – water or dual fuel, central heating towel rail or radiator