

# Neo Georgian

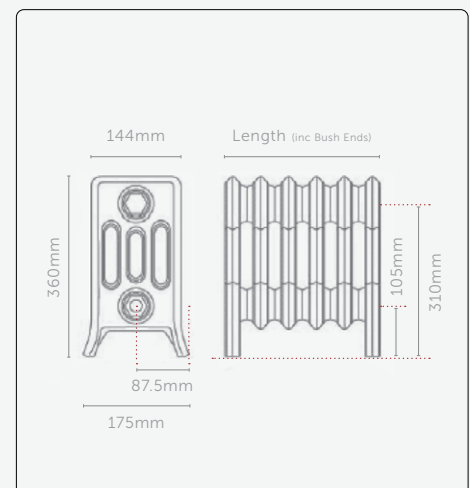
“Simplicity is the ultimate sophistication”, Leonardo Da Vinci”. The stylish but straightforward Neo Georgian column cast iron radiator echoes back to the era of the early 1900s. The classic clean lines of this elegant design mean that it is well suited for either the modern or period home setting. With options of 2, 4 and even 6 column depths, the heat output per section is substantial. With its clean and elegant design, The Neo Georgian column cast iron radiator is a popular choice for homes that were built during the Arts and Crafts era, which influenced Britain until the 1930s.



**COLUMNS**      **HEIGHT** (Please select your required height to view heat output and specifications)

2   4   6      **360**   505   660   760   960

CODE/ SECTIONS	LENGTH	OUTPUT				WEIGHT (KG)	WATER CONTENT (LTRs)
		Dt60		Dt50			
		BTUs	WATTS	BTUs	WATTS		
GEO4-360-03	208	613	180	484	142	10	1.05
GEO4-360-04	269	818	240	646	189	14	1.40
GEO4-360-05	330	1022	300	807	237	17	1.75
GEO4-360-06	391	1227	360	968	284	21	2.10
GEO4-360-07	452	1431	420	1130	331	24	2.45
GEO4-360-08	512	1636	479	1291	378	28	2.80
GEO4-360-09	573	1840	539	1452	426	31	3.15
GEO4-360-10	634	2045	599	1614	473	34	3.50
GEO4-360-11	695	2249	659	1775	520	38	3.85
GEO4-360-12	756	2454	719	1937	568	41	4.20
GEO4-360-13	816	2658	779	2098	615	45	4.55
GEO4-360-14	877	2863	839	2259	662	48	4.90
GEO4-360-15	938	3067	899	2421	710	52	5.25
GEO4-360-16	999	3272	959	2582	757	55	5.60
GEO4-360-17	1060	3476	1019	2744	804	59	5.95
GEO4-360-18	1120	3681	1079	2905	851	62	6.30
GEO4-360-19	1181	3885	1139	3066	899	65	6.65
GEO4-360-20	1242	4090	1199	3228	946	69	7.00
GEO4-360-21	1303	4294	1259	3389	993	72	7.35
GEO4-360-22	1364	4499	1318	3551	1041	76	7.70
GEO4-360-23	1424	4703	1378	3712	1088	79	8.05
GEO4-360-24	1485	4907	1438	3873	1135	83	8.40
GEO4-360-25	1546	5112	1498	4035	1183	86	8.75
GEO4-360-26	1607	5316	1558	4196	1230	89	9.10
GEO4-360-27	1668	5521	1618	4357	1277	93	9.45
GEO4-360-28	1728	5725	1678	4519	1324	96	9.80
GEO4-360-29	1789	5930	1738	4680	1372	100	10.15
GEO4-360-30	1850	6134	1798	4842	1419	103	10.50
GEO4-360-31	1911	6339	1858	5003	1466	107	10.85
GEO4-360-32	1972	6543	1918	5164	1514	110	11.20
GEO4-360-33	2032	6748	1978	5326	1561	114	11.55
GEO4-360-34	2093	6952	2038	5487	1608	117	11.90
GEO4-360-35	2154	7157	2098	5649	1656	120	12.25
GEO4-360-36	2215	7361	2157	5810	1703	124	12.60
GEO4-360-37	2276	7566	2217	5971	1750	127	12.95
GEO4-360-38	2336	7770	2277	6133	1797	131	13.30
GEO4-360-39	2397	7975	2337	6294	1845	134	13.65
GEO4-360-40	2458	8179	2397	6456	1892	138	14.00



01205 280354

sales@paladinradiators.com

www.paladinradiators.com

Paladin Radiators, Langrick Road,  
New York, Lincolnshire LN4 4XH



Maximum test pressure = 7.8 bar | Maximum working pressure = 6.0 bar

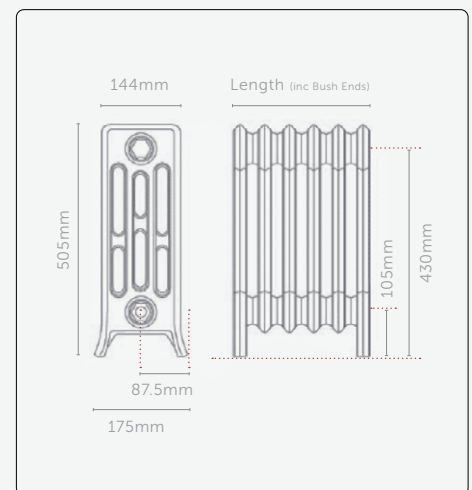
# Neo Georgian

“Simplicity is the ultimate sophistication”, Leonardo Da Vinci”. The stylish but straightforward Neo Georgian column cast iron radiator echoes back to the era of the early 1900s. The classic clean lines of this elegant design mean that it is well suited for either the modern or period home setting. With options of 2, 4 and even 6 column depths, the heat output per section is substantial. With its clean and elegant design, The Neo Georgian column cast iron radiator is a popular choice for homes that were built during the Arts and Crafts era, which influenced Britain until the 1930s.

**COLUMNS**      **HEIGHT** (Please select your required height to view heat output and specifications)

2   4   6      360   **505**   660   760   960

CODE/ SECTIONS	LENGTH	OUTPUT				WEIGHT (KG)	WATER CONTENT (LTRs)
		Dt60		Dt50			
		BTUs	WATTS	BTUs	WATTS		
GEO4-505-03	208	872	255	688	202	13	1.53
GEO4-505-04	269	1162	341	917	269	17	2.04
GEO4-505-05	330	1453	426	1146	336	21	2.55
GEO4-505-06	391	1743	511	1376	403	25	3.06
GEO4-505-07	452	2034	596	1605	470	29	3.57
GEO4-505-08	512	2324	681	1834	538	34	4.08
GEO4-505-09	573	2615	766	2064	605	38	4.59
GEO4-505-10	634	2905	851	2293	672	42	5.10
GEO4-505-11	695	3196	937	2522	739	46	5.61
GEO4-505-12	756	3486	1022	2751	806	50	6.12
GEO4-505-13	816	3777	1107	2981	874	55	6.63
GEO4-505-14	877	4067	1192	3210	941	59	7.14
GEO4-505-15	938	4358	1277	3439	1008	63	7.65
GEO4-505-16	999	4648	1362	3669	1075	67	8.16
GEO4-505-17	1060	4939	1447	3898	1142	71	8.67
GEO4-505-18	1120	5229	1533	4127	1210	75	9.18
GEO4-505-19	1181	5520	1618	4356	1277	80	9.69
GEO4-505-20	1242	5810	1703	4586	1344	84	10.20
GEO4-505-21	1303	6101	1788	4815	1411	88	10.71
GEO4-505-22	1364	6391	1873	5044	1478	92	11.22
GEO4-505-23	1424	6682	1958	5274	1546	96	11.73
GEO4-505-24	1485	6972	2043	5503	1613	101	12.24
GEO4-505-25	1546	7263	2129	5732	1680	105	12.75
GEO4-505-26	1607	7553	2214	5961	1747	109	13.26
GEO4-505-27	1668	7844	2299	6191	1814	113	13.77
GEO4-505-28	1728	8134	2384	6420	1882	117	14.28
GEO4-505-29	1789	8425	2469	6649	1949	122	14.79
GEO4-505-30	1850	8715	2554	6879	2016	126	15.30
GEO4-505-31	1911	9006	2639	7108	2083	130	15.81
GEO4-505-32	1972	9296	2725	7337	2150	134	16.32
GEO4-505-33	2032	9587	2810	7566	2218	138	16.83
GEO4-505-34	2093	9877	2895	7796	2285	143	17.34
GEO4-505-35	2154	10168	2980	8025	2352	147	17.85
GEO4-505-36	2215	10458	3065	8254	2419	151	18.36
GEO4-505-37	2276	10749	3150	8484	2486	155	18.87
GEO4-505-38	2336	11039	3235	8713	2554	159	19.38
GEO4-505-39	2397	11330	3321	8942	2621	163	19.89
GEO4-505-40	2458	11620	3406	9171	2688	168	20.40



01205 280354

sales@paladinradiators.com

www.paladinradiators.com

Paladin Radiators, Langrick Road,  
New York, Lincolnshire LN4 4XH



Maximum test pressure = 7.8 bar | Maximum working pressure = 6.0 bar

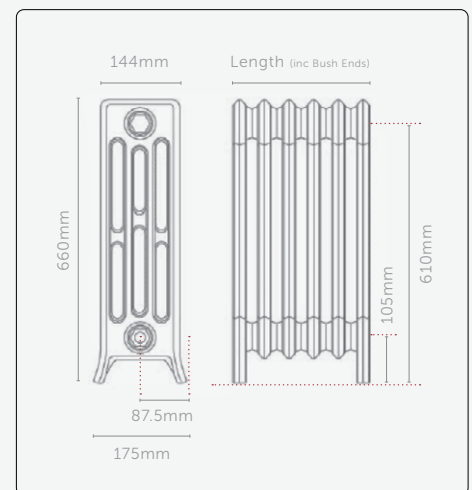
# Neo Georgian

“Simplicity is the ultimate sophistication”, Leonardo Da Vinci”. The stylish but straightforward Neo Georgian column cast iron radiator echoes back to the era of the early 1900s. The classic clean lines of this elegant design mean that it is well suited for either the modern or period home setting. With options of 2, 4 and even 6 column depths, the heat output per section is substantial. With its clean and elegant design, The Neo Georgian column cast iron radiator is a popular choice for homes that were built during the Arts and Crafts era, which influenced Britain until the 1930s.

**COLUMNS**      **HEIGHT** (Please select your required height to view heat output and specifications)

2   4   6      360   505   **660**   760   960

CODE/ SECTIONS	LENGTH	OUTPUT				WEIGHT (KG)	WATER CONTENT (LTRs)
		Dt60		Dt50			
		BTUs	WATTS	BTUs	WATTS		
GEO4-660-03	208	1145	336	904	265	17	2.55
GEO4-660-04	269	1527	448	1205	353	22	3.40
GEO4-660-05	330	1909	559	1506	442	28	4.25
GEO4-660-06	391	2290	671	1808	530	33	5.10
GEO4-660-07	452	2672	783	2109	618	39	5.95
GEO4-660-08	512	3054	895	2410	706	44	6.80
GEO4-660-09	573	3435	1007	2712	795	50	7.65
GEO4-660-10	634	3817	1119	3013	883	56	8.50
GEO4-660-11	695	4199	1231	3314	971	61	9.35
GEO4-660-12	756	4581	1343	3615	1060	67	10.20
GEO4-660-13	816	4962	1454	3917	1148	72	11.05
GEO4-660-14	877	5344	1566	4218	1236	78	11.90
GEO4-660-15	938	5726	1678	4519	1325	83	12.75
GEO4-660-16	999	6108	1790	4820	1413	89	13.60
GEO4-660-17	1060	6489	1902	5122	1501	94	14.45
GEO4-660-18	1120	6871	2014	5423	1589	100	15.30
GEO4-660-19	1181	7253	2126	5724	1678	106	16.15
GEO4-660-20	1242	7634	2238	6026	1766	111	17.00
GEO4-660-21	1303	8016	2349	6327	1854	117	17.85
GEO4-660-22	1364	8398	2461	6628	1943	122	18.70
GEO4-660-23	1424	8780	2573	6929	2031	128	19.55
GEO4-660-24	1485	9161	2685	7231	2119	133	20.40
GEO4-660-25	1546	9543	2797	7532	2208	139	21.25
GEO4-660-26	1607	9925	2909	7833	2296	144	22.10
GEO4-660-27	1668	10306	3021	8135	2384	150	22.95
GEO4-660-28	1728	10688	3133	8436	2472	155	23.80
GEO4-660-29	1789	11070	3244	8737	2561	161	24.65
GEO4-660-30	1850	11452	3356	9038	2649	167	25.50
GEO4-660-31	1911	11833	3468	9340	2737	172	26.35
GEO4-660-32	1972	12215	3580	9641	2826	178	27.20
GEO4-660-33	2032	12597	3692	9942	2914	183	28.05
GEO4-660-34	2093	12979	3804	10244	3002	189	28.90
GEO4-660-35	2154	13360	3916	10545	3091	194	29.75
GEO4-660-36	2215	13742	4028	10846	3179	200	30.60
GEO4-660-37	2276	14124	4139	11147	3267	205	31.45
GEO4-660-38	2336	14505	4251	11449	3355	211	32.30
GEO4-660-39	2397	14887	4363	11750	3444	217	33.15
GEO4-660-40	2458	15269	4475	12051	3532	222	34.00



01205 280354

sales@paladinradiators.com

www.paladinradiators.com

Paladin Radiators, Langrick Road,  
New York, Lincolnshire LN4 4XH



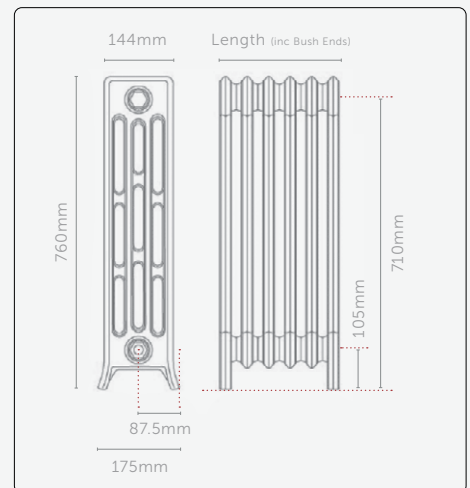
# Neo Georgian

“Simplicity is the ultimate sophistication”, Leonardo Da Vinci”. The stylish but straightforward Neo Georgian column cast iron radiator echoes back to the era of the early 1900s. The classic clean lines of this elegant design mean that it is well suited for either the modern or period home setting. With options of 2, 4 and even 6 column depths, the heat output per section is substantial. With its clean and elegant design, The Neo Georgian column cast iron radiator is a popular choice for homes that were built during the Arts and Crafts era, which influenced Britain until the 1930s.

**COLUMNS**      **HEIGHT** (Please select your required height to view heat output and specifications)

2   4   6      360   505   660   **760**   960

CODE/ SECTIONS	LENGTH	OUTPUT				WEIGHT (KG)	WATER CONTENT (LTRs)
		Dt60		Dt50			
		BTUs	WATTS	BTUs	WATTS		
GEO4-760-03	208	1381	405	1090	320	19	3.00
GEO4-760-04	269	1842	540	1454	426	25	4.00
GEO4-760-05	330	2302	675	1817	533	31	5.00
GEO4-760-06	391	2762	810	2180	639	37	6.00
GEO4-760-07	452	3223	945	2544	746	44	7.00
GEO4-760-08	512	3683	1079	2907	852	50	8.00
GEO4-760-09	573	4144	1214	3270	959	56	9.00
GEO4-760-10	634	4604	1349	3634	1065	62	10.00
GEO4-760-11	695	5064	1484	3997	1172	68	11.00
GEO4-760-12	756	5525	1619	4361	1278	75	12.00
GEO4-760-13	816	5985	1754	4724	1385	81	13.00
GEO4-760-14	877	6446	1889	5087	1491	87	14.00
GEO4-760-15	938	6906	2024	5451	1598	93	15.00
GEO4-760-16	999	7366	2159	5814	1704	100	16.00
GEO4-760-17	1060	7827	2294	6177	1811	106	17.00
GEO4-760-18	1120	8287	2429	6541	1917	112	18.00
GEO4-760-19	1181	8748	2564	6904	2024	118	19.00
GEO4-760-20	1242	9208	2699	7268	2130	124	20.00
GEO4-760-21	1303	9668	2834	7631	2237	131	21.00
GEO4-760-22	1364	10129	2969	7994	2343	137	22.00
GEO4-760-23	1424	10589	3104	8358	2450	143	23.00
GEO4-760-24	1485	11050	3238	8721	2556	149	24.00
GEO4-760-25	1546	11510	3373	9084	2663	156	25.00
GEO4-760-26	1607	11970	3508	9448	2769	162	26.00
GEO4-760-27	1668	12431	3643	9811	2876	168	27.00
GEO4-760-28	1728	12891	3778	10175	2982	174	28.00
GEO4-760-29	1789	13352	3913	10538	3089	180	29.00
GEO4-760-30	1850	13812	4048	10901	3195	187	30.00
GEO4-760-31	1911	14272	4183	11265	3302	193	31.00
GEO4-760-32	1972	14733	4318	11628	3408	199	32.00
GEO4-760-33	2032	15193	4453	11991	3515	205	33.00
GEO4-760-34	2093	15654	4588	12355	3621	211	34.00
GEO4-760-35	2154	16114	4723	12718	3728	218	35.00
GEO4-760-36	2215	16574	4858	13082	3834	224	36.00
GEO4-760-37	2276	17035	4993	13445	3941	230	37.00
GEO4-760-38	2336	17495	5128	13808	4047	236	38.00
GEO4-760-39	2397	17956	5262	14172	4154	243	39.00
GEO4-760-40	2458	18416	5397	14535	4260	249	40.00



01205 280354

sales@paladinradiators.com

www.paladinradiators.com

Paladin Radiators, Langrick Road,  
New York, Lincolnshire LN4 4XH





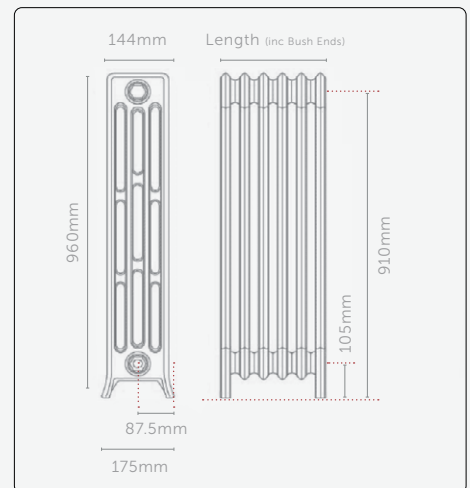
# Neo Georgian

“Simplicity is the ultimate sophistication”, Leonardo Da Vinci”. The stylish but straightforward Neo Georgian column cast iron radiator echoes back to the era of the early 1900s. The classic clean lines of this elegant design mean that it is well suited for either the modern or period home setting. With options of 2, 4 and even 6 column depths, the heat output per section is substantial. With its clean and elegant design, The Neo Georgian column cast iron radiator is a popular choice for homes that were built during the Arts and Crafts era, which influenced Britain until the 1930s.

**COLUMNS**      **HEIGHT** (Please select your required height to view heat output and specifications)

2   4   6      360   505   660   760   **960**

CODE/ SECTIONS	LENGTH	OUTPUT				WEIGHT (KG)	WATER CONTENT (LTRs)
		Dt60		Dt50			
		BTUs	WATTS	BTUs	WATTS		
GEO4-960-03	208	1652	484	1304	382	24	3.30
GEO4-960-04	269	2203	646	1739	510	31	4.40
GEO4-960-05	330	2754	807	2173	637	39	5.50
GEO4-960-06	391	3305	968	2608	764	47	6.60
GEO4-960-07	452	3855	1130	3043	892	55	7.70
GEO4-960-08	512	4406	1291	3478	1019	63	8.80
GEO4-960-09	573	4957	1453	3912	1147	71	9.90
GEO4-960-10	634	5508	1614	4347	1274	79	11.00
GEO4-960-11	695	6058	1776	4782	1401	86	12.10
GEO4-960-12	756	6609	1937	5216	1529	94	13.20
GEO4-960-13	816	7160	2098	5651	1656	102	14.30
GEO4-960-14	877	7711	2260	6086	1784	110	15.40
GEO4-960-15	938	8261	2421	6520	1911	118	16.50
GEO4-960-16	999	8812	2583	6955	2038	126	17.60
GEO4-960-17	1060	9363	2744	7390	2166	133	18.70
GEO4-960-18	1120	9914	2905	7824	2293	141	19.80
GEO4-960-19	1181	10464	3067	8259	2421	149	20.90
GEO4-960-20	1242	11015	3228	8694	2548	157	22.00
GEO4-960-21	1303	11566	3390	9128	2675	165	23.10
GEO4-960-22	1364	12117	3551	9563	2803	173	24.20
GEO4-960-23	1424	12667	3713	9998	2930	181	25.30
GEO4-960-24	1485	13218	3874	10433	3058	188	26.40
GEO4-960-25	1546	13769	4035	10867	3185	196	27.50
GEO4-960-26	1607	14320	4197	11302	3312	204	28.60
GEO4-960-27	1668	14870	4358	11737	3440	212	29.70
GEO4-960-28	1728	15421	4520	12171	3567	220	30.80
GEO4-960-29	1789	15972	4681	12606	3695	228	31.90
GEO4-960-30	1850	16523	4842	13041	3822	236	33.00
GEO4-960-31	1911	17073	5004	13475	3949	243	34.10
GEO4-960-32	1972	17624	5165	13910	4077	251	35.20
GEO4-960-33	2032	18175	5327	14345	4204	259	36.30
GEO4-960-34	2093	18726	5488	14779	4332	267	37.40
GEO4-960-35	2154	19276	5650	15214	4459	275	38.50
GEO4-960-36	2215	19827	5811	15649	4586	283	39.60
GEO4-960-37	2276	20378	5972	16083	4714	290	40.70
GEO4-960-38	2336	20929	6134	16518	4841	298	41.80
GEO4-960-39	2397	21479	6295	16953	4969	306	42.90
GEO4-960-40	2458	22030	6457	17388	5096	314	44.00



01205 280354

sales@paladinradiators.com

www.paladinradiators.com

Paladin Radiators, Langrick Road,  
New York, Lincolnshire LN4 4XH



Maximum test pressure = 7.8 bar | Maximum working pressure = 6.0 bar