

RELAX OVER POWER



RELAX
RADIATORS

RELAX OVER POWER

height 1663 mm, length 517 mm. Standard White finish (cod. 01).



Technical features:

- radiating panel
- thread pitch of 50 mm, M24 x 19
- maximum working pressure 10 bar
- maximum working temperature 95°C
- This radiator is already fitted for the insertion of the optional thermostat head

Price included:

- water connection system complete with fittings for connection to copper pipes (12, 14 and 15 mm diameter) and multilayer pipes (14 x 2 thick and 16 x 2 thick)
- wall fixing system
- air vent
- installation template

Finishes available	Surcharge
Standard White	
Classic finishes	
Special finishes	
Other RAL colors	

Finishing codes see page 596.

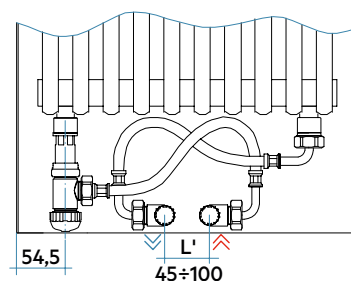
Hidden hydraulic connection **INCLUDED IN THE PRICE**

RELAX OVER POWER features the innovative hidden hydraulic connection system. This type of connection hides all valves from view to the advantage of the heating element's formal aspect. Another winning feature of this type of hydraulic connection is its easy installation.

A valve and lockshield valve system connected to flexible hoses permits elevated installation flexibility and the varying of the connection centers from a minimum 45 to a maximum 100 mm as desired. We recommend installation with water inlet from the right and water outlet from the left.

The hidden hydraulic connection with universal connection M30 x 1,5 is designed for the installation of a thermostatic valve (optional) or for the innovative "NOW" temperature adjustment system.

We advise installing the radiator at least 150 ÷ 200 mm above the floor.



Model	Code	Depth mm	Height H mm	Length L mm	Conn. C. L' mm	Weight Kg	Cap. lt	Thermal Power				Exp. n.	
								Δt=50°C Btu/h Watt	Δt=40°C Watt	Δt=30°C Watt (*)	Δt=20°C Watt		
Relax Over P. 688 x 653	REOI065B XX IR 01 AN	63,5	688	653	45 / 100	17,3	4,4	2.327	682	515	359	216	1,255
Relax Over P. 688 x 857	REOI085B XX IR 01 AN	63,5	688	857	45 / 100	22,4	5,9	3.808	895	676	471	283	1,255
Relax Over P. 688 x 1061	REOI106B XX IR 01 AN	63,5	688	1061	45 / 100	27,5	7,3	2.900	1.108	837	584	351	1,255
Relax Over P. 688 x 1197	REOI119B XX IR 01 AN	63,5	688	1197	45 / 100	31,0	8,3	3.054	1.250	945	658	396	1,255
Relax Over P. 688 x 1401	REOI140B XX IR 01 AN	63,5	688	1401	45 / 100	36,1	9,8	3.780	1.463	1106	770	463	1,255
Relax Over P. 868 x 653	REOH065B XX IR 01 AN	63,5	868	653	45 / 100	22,0	5,7	4.265	850	641	445	266	1,266
Relax Over P. 868 x 857	REOH085B XX IR 01 AN	63,5	868	857	45 / 100	28,6	7,5	3.166	1.116	841	584	350	1,266
Relax Over P. 868 x 1061	REOH106B XX IR 01 AN	63,5	868	1061	45 / 100	35,1	9,4	5.428	1.381	1.041	723	433	1,266
Relax Over P. 868 x 1197	REOH119B XX IR 01 AN	63,5	868	1197	45 / 100	39,5	10,7	3.972	1.558	1.174	816	488	1,266
Relax Over P. 868 x 1401	REOH140B XX IR 01 AN	63,5	868	1401	45 / 100	46,0	12,6	5.391	1.824	1.375	955	572	1,266
Relax Over P. 1663 x 381	REOE038B XX IR 01 AN	63,5	1663	381	45 / 100	25,6	6,4	6.807	928	696	480	284	1,291
Relax Over P. 1663 x 517	REOE051B XX IR 01 AN	63,5	1663	517	45 / 100	34,3	8,9	3.617	1.260	945	651	386	1,291
Relax Over P. 1663 x 653	REOE065B XX IR 01 AN	63,5	1663	653	45 / 100	43,1	11,4	4.712	1.591	1.193	823	487	1,291
Relax Over P. 1963 x 381	REOD038B XX IR 01 AN	63,5	1963	381	45 / 100	30,1	7,5	4.992	1.060	796	551	328	1,281
Relax Over P. 1963 x 517	REOD051B XX IR 01 AN	63,5	1963	517	45 / 100	40,5	10,5	5.316	1.439	1.081	748	445	1,281
Relax Over P. 1963 x 653	REOD065B XX IR 01 AN	63,5	1963	653	45 / 100	50,8	13,6	4.299	1.817	1.365	944	562	1,281
Relax Over P. 2163 x 381	REOC038B XX IR 01 AN	63,5	2163	381	45 / 100	33,2	8,3	6.223	1.164	875	606	361	1,279
Relax Over P. 2163 x 517	REOC051B XX IR 01 AN	63,5	2163	517	45 / 100	44,6	11,6	4.910	1.580	1.188	822	490	1,279
Relax Over P. 2163 x 653	REOC065B XX IR 01 AN	63,5	2163	653	45 / 100	56,0	15,0	6.200	1.995	1.500	1.038	618	1,279

(*) Thanks to the high performance of Irsap RELAX OVER POWER radiators, the ideal Δt for low temperature projects is Δt at 30°C.

For Δt different from 50°C use the formula: $Q = Q_n (\Delta t / 50)^n$

Accessories towel-holder

The towel-holder is a design accessory that can be positioned at the desired height even after the radiator has already been installed. This means Relax can also be used as a towel warmer.

Available in 2 versions, Small (Fig. 1) and Large (Fig. 2) both with a polished chrome-plated finish.

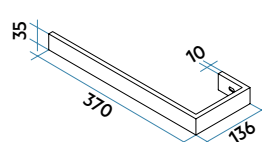


Fig. 1

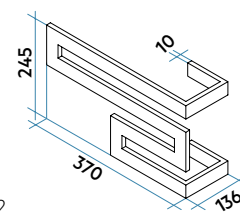
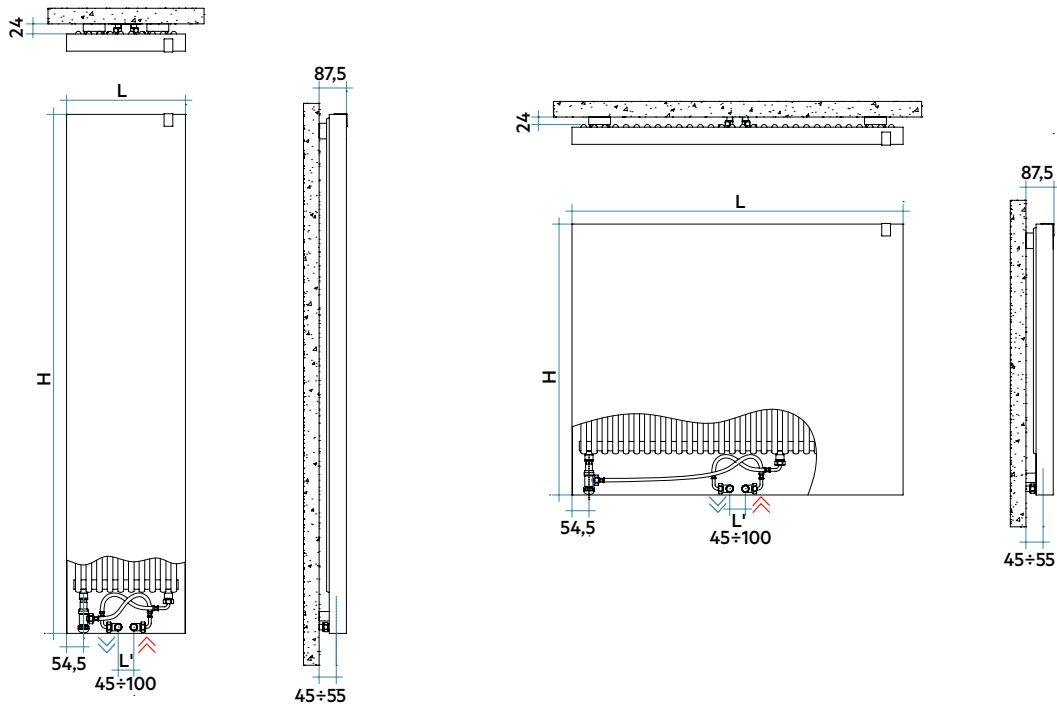


Fig. 2

RELAX OVER POWER



RELAX
RADIATORS

CE 15 - C -s2, d0
EN442-1

EN 442
EURO NORM

Model	Code	Price List (Euro) Finishes RELAX OVER POWER		
		Wall Finished Cod. 6B	Satin Stainless steel Cod. AS	Mirror Stainless steel Cod. IS
Relax Over P. 688 x 653	REO1065B XX IR 01 AN			
Relax Over P. 688 x 857	REO1085B XX IR 01 AN			
Relax Over P. 688 x 1061	REO1106B XX IR 01 AN			
Relax Over P. 688 x 1197	REO1119B XX IR 01 AN			
Relax Over P. 688 x 1401	REO1140B XX IR 01 AN			
Relax Over P. 868 x 653	REOH065B XX IR 01 AN			
Relax Over P. 868 x 857	REOH085B XX IR 01 AN			
Relax Over P. 868 x 1061	REOH106B XX IR 01 AN			
Relax Over P. 868 x 1197	REOH119B XX IR 01 AN			
Relax Over P. 868 x 1401	REOH140B XX IR 01 AN			
Relax Over P. 1663 x 381	REOE038B XX IR 01 AN			
Relax Over P. 1663 x 517	REOE051B XX IR 01 AN			
Relax Over P. 1663 x 653	REOE065B XX IR 01 AN			
Relax Over P. 1963 x 381	REOD038B XX IR 01 AN			
Relax Over P. 1963 x 517	REOD051B XX IR 01 AN			
Relax Over P. 1963 x 653	REOD065B XX IR 01 AN			
Relax Over P. 2163 x 381	REOC038B XX IR 01 AN			
Relax Over P. 2163 x 517	REOC051B XX IR 01 AN			
Relax Over P. 2163 x 653	REPC065B XX IR 01 AN			

The thermal power of Mirror finish (cod. IS) and Satin stainless steel finish (cod. AS) is reduced by about 30%.

XX = finish code:

01 = Standard White colour code

6B = Wall Finished code

AS = Satin Stainless Steel code

IS = Mirror finish code

Key Codes

