

P5 LOWLINE



Datasheet

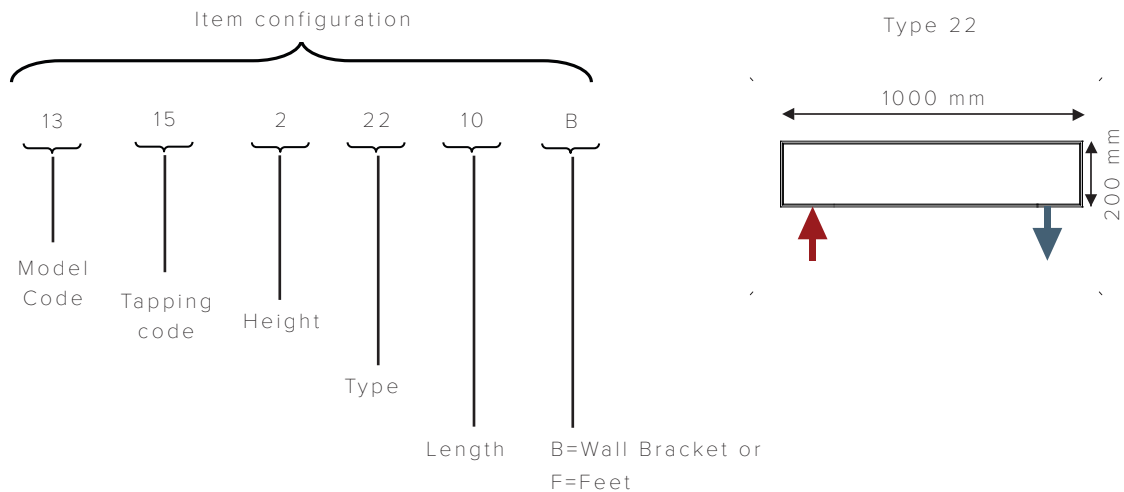
INDEX

Specification.....	2
Description.....	3
Tapping overview with measurements	4
Built-in valves	6
Other options.....	6
Forced water.....	7
Illustrations.....	8
Dimensions.....	9
Output.....	10
Accessories	11
Availability Matrix	12

SPECIFICATION

HOW TO SPECIFY AN ITEM

Item number example 131522210B



Note

Thermostat sensor head is not included in the product - should be ordered separately.
 If no orientation is specified, products will be delivered as a RIGHT version.

Please also note that tapping code 15 is supplied as a kit that must be assembled on site.

Please indicate installation option:

- B = Wall Bracket**
- F = Feet**

DESCRIPTION

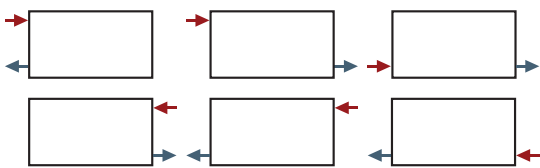
Hudevad P5 Lowline is the embodiment of clean design and reliable output. The look and feel of the P5 radiator, or any of its variants, is Scandinavian simplicity at its finest. The P5 Lowline radiator has an excellent output, is sturdy, stable and is truly an asset as an architectural tool. The P5 has a smooth, flat rebated front and back plate with solid top and has an optimal size for placement under window sills.

Material	Radiator casing: 2.00 mm steel according to EN10051 Heating element: steel panel according to EN442
Test pressure	13 bar
Max. operating pressure	10 bar - in accordance with EN 442
Max. operating temperature	110°C
Warranty	10 years
Surface treatment	Pre-treatment by degreasing and steel phosphating. Powder coated in accordance with DIN 55900, EN 442. On the emitter the powder coating is preceded by primer coating.
Type	22, 33 and 44 (Selected types not available in all tapping configurations)
Height	220 mm
Length	1010, 1210, 1410, 1510, 1610, 1810, 2010 mm (Availability of lengths varies depending of chosen tapping configuration and height)
Depth	118, 176 and 234 mm
Connections	All connections 1/2" standard (adapters available)
Installation	Air vent and blind plugs are included. Feet for floor mounting or Lowline brackets are included.
Mounting straps	No mounting straps
Colour	Powder coated in white RAL 9016, gloss 70 Option: Painted in other colours. Please see the Hudevad Radiator Design Colour Brochure at www.hudevad.com
Options	Feet For further options contact your local Hudevad sales agent.

TAPPING OVERVIEW

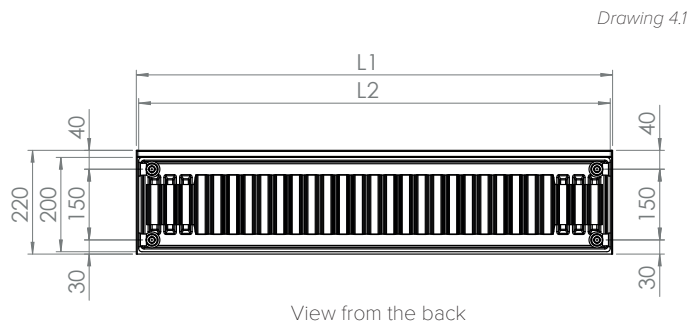
Tapping code	Extended casing and kit	Tapping type	Tapping possibilities
10		ABCD (4 tap)	
11		FF built-in valve (6 tap right)	
12		EE built-in valve (6 tap left)	
15	✓	E/F, no valve	

TAPPING CODE 10 - Tapping possibilities ABCD



View from the front

H, mm	L1 in mm	L2 in mm
220	1010, 1210	1000, 1200
	1410, 1510,	1400, 1500,
	1610, 1810	1600, 1800
	and 2010 mm	and 2000 mm



View from the back

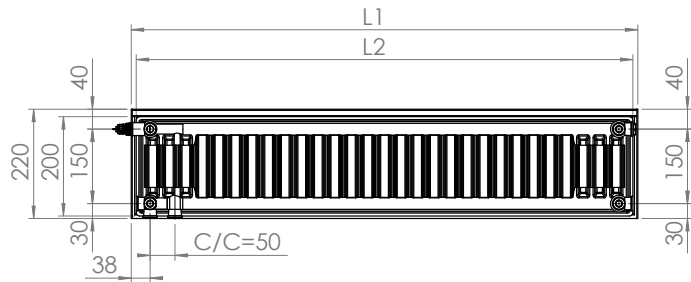
TAPPING CODE 11 - Tapping possibilities - FF built-in valve RIGHT



Drawing 5.1

View from the front

H, mm	L1 in mm	L2 in mm
220	1020, 1220	1000, 1200
	1420, 1620	1400, 1600
	1820 and	1800 and
	2020 mm	2000 mm



View from the back

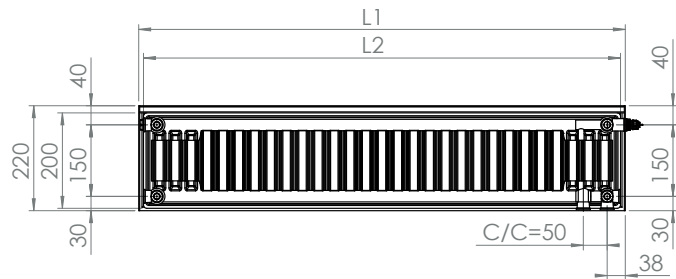
TAPPING CODE 12 - Tapping possibilities - EE built-in valve LEFT



Drawing 5.2

View from the front

H, mm	L1 in mm	L2 in mm
220	1020, 1220	1000, 1200
	1420, 1620	1400, 1600
	1820 and	1800 and
	2020 mm	2000 mm



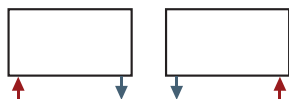
View from the back

Note

Type 33 is not possible as a left version

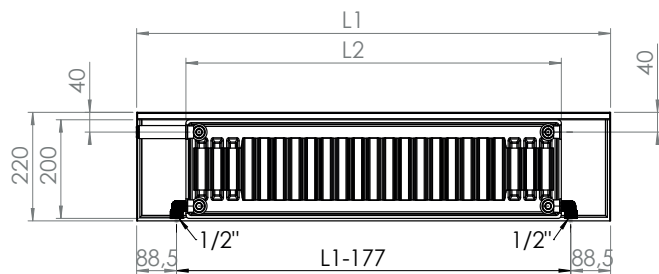
TAPPING CODE 15 - Tapping possibilities E/F, no valve

Drawing 5.3



View from the front

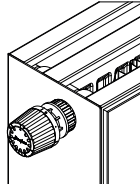
H, mm	L1 in mm	L2 in mm
220	1210, 1410	1000, 1200
	1510, 1610	1300, 1400,
	1810	1600
	and 2010 mm	and 1800 mm



View from the back

Tapping Code 15 is made using an extended casing (200 mm), offering concealed pipework with standard EU measurements

BUILT-IN VALVES



Drawing 6.1

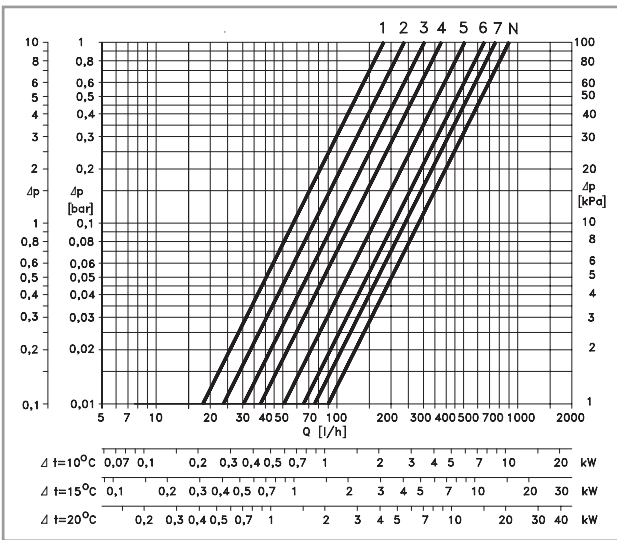
Application For use where a thermostatic valve is to be integrated within the radiator to offer discreet pipework and ease of installation. The thermostatic sensor of the valve is passed through a hole in the side of the radiator.

Built-in valve Hudevad radiators with built-in valve is supplied with Danfoss RA-N valve.

Tapping code 11 and 12

Built-in valve

Type	Code no.
RA-N	013G1382



Drawing 6.2

OTHER OPTIONS

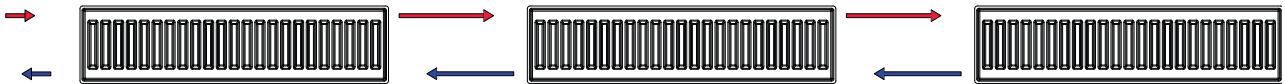
OTHER CONNECTIONS

Sometimes a build or location requires something out of the ordinary, so if you need a connection not mentioned in our tapping overview, then please contact our sales office at contact@hudevad.com and we will do our utmost to assist you.

FORCED WATER

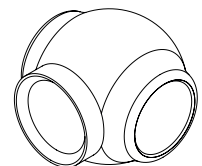
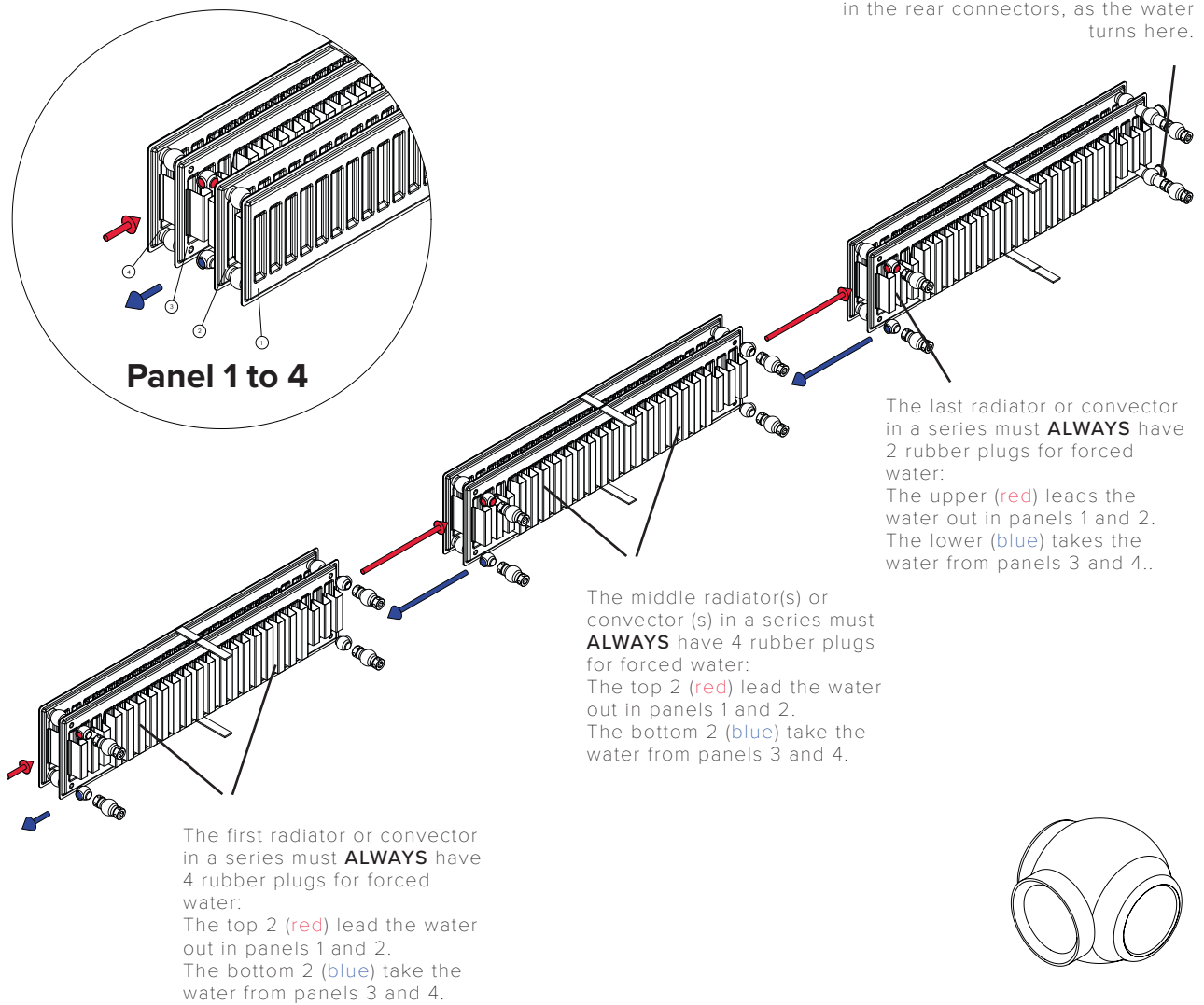
SERIAL CONNECTION

Hudevad P5 Lowline can be installed in serial connection using forced water. At the factory, rubber plugs are installed inside the radiator that directs the water in the right direction, so that the hot water is led out into the front panels and returns in the rear panels. Hudevad's serial connection can be used on all radiators or convectors with 4 connections (ABCD), but NOT on valve radiators. The system can be used on all radiators or convectors with 2 panels or more.



Drawing 71

HOW IT WORKS

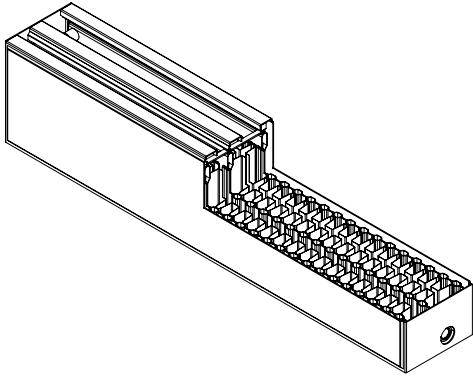


61610035 1 pc.
61610037 Mounting, 2 pcs./radiator
61610038 Mounting, 4 pcs./radiator

ILLUSTRATIONS

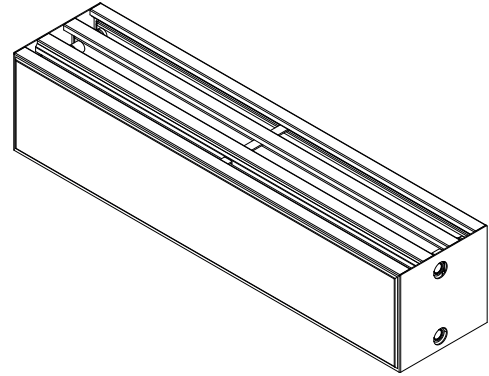
VIEW FROM THE FRONT

Drawing 7.1



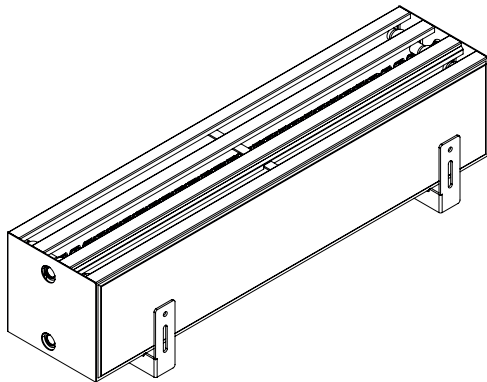
VIEW FROM THE BACK

Drawing 7.2



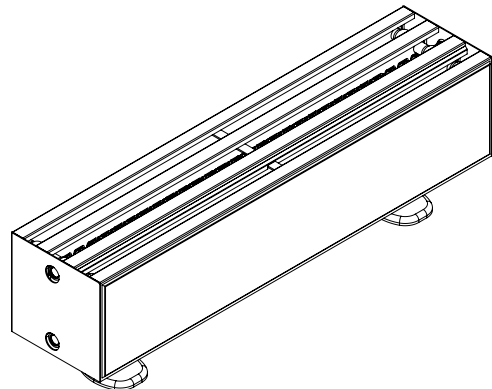
WALL MOUNTED

Drawing 7.3



FLOOR MOUNTED (OPTIONAL)

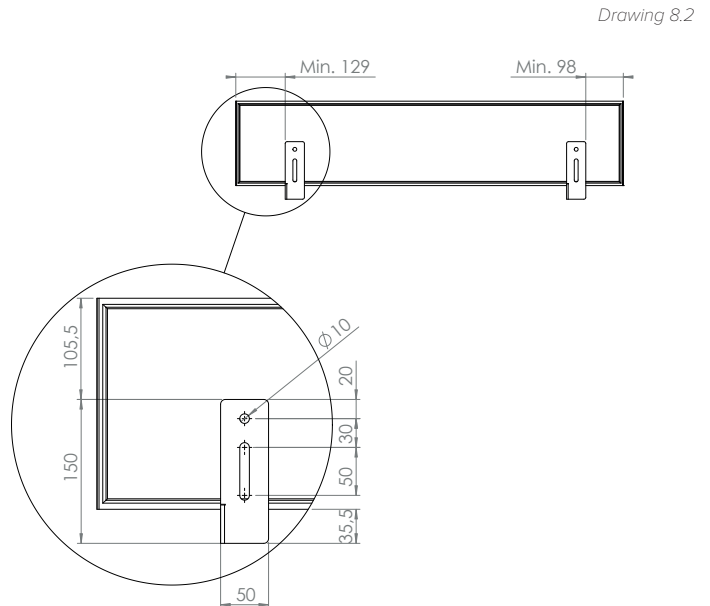
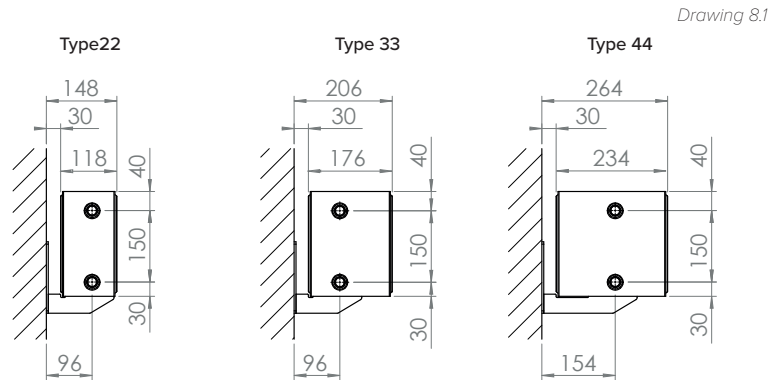
Drawing 7.4



DIMENSIONS

WALL MOUNTED

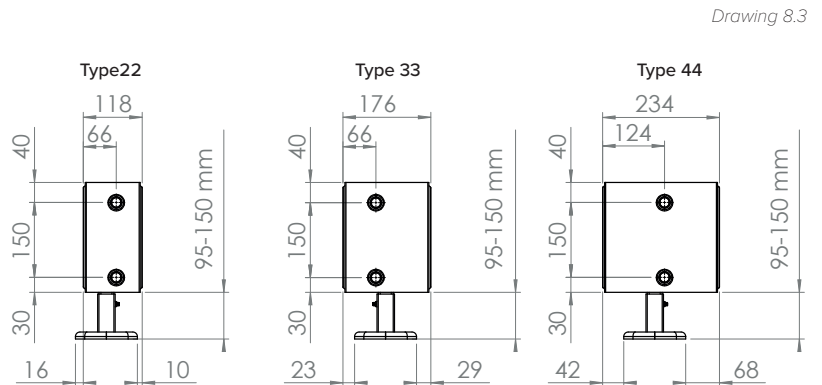
Supplied with Hudevad Lowline wall brackets



FLOOR MOUNTED

Adjustable Panel Radiator feet with cover

2 pcs. for length 1000 – 2000 mm.



OUTPUT

TAPPING CODE 10, 11 AND 12

P5 T22	Output			Water content	Weight
	W/metre 75°/65°/20°	W/metre 70°/40°/20°	W/metre 60°/30°/20°	litres/ metre	kg/ metre
Height, mm 200	570	363	237	2.65	18.2

P5 T33	Output			Water content	Weight
	W/metre 75°/65°/20°	W/metre 70°/40°/20°	W/metre 60°/30°/20°	litres/ metre	kg/ metre
Height, mm 200	822	522	340	3.95	25.15

P5 T44	Output			Water content	Weight
	W/metre 75°/65°/20°	W/metre 70°/40°/20°	W/metre 60°/30°/20°	litres/ metre	kg/ metre
Height, mm 200	1057	667	432	5.15	31.0

TAPPING CODE 15 (EXTENDED CASING)

Note

Data is based on the emitter length, NOT total length.
Total length = emitter length + 200 mm

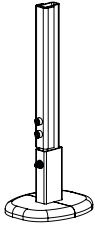
P5 T22	Output (emitter)			Water content	Weight
	W/metre 75°/65°/20°	W/metre 70°/40°/20°	W/metre 60°/30°/20°	litres/ metre	kg/ metre
Height, mm 200	570	363	237	2.65	18.2

P5 T33	Output (emitter)			Water content	Weight
	W/metre 75°/65°/20°	W/metre 70°/40°/20°	W/metre 60°/30°/20°	litres/ metre	kg/ metre
Height, mm 200	822	522	340	3.95	25.15

P5 T44	Output (emitter)			Water content	Weight
	W/metre 75°/65°/20°	W/metre 70°/40°/20°	W/metre 60°/30°/20°	litres/ metre	kg/ metre
Height, mm 200	1057	667	432	5.15	31.0

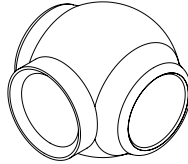
ACCESSORIES

FEET



30204330 Panel radiator feet, Low

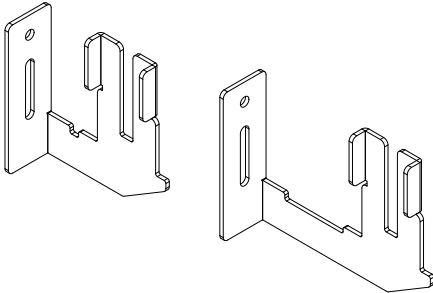
FORCED WATER



Drawing 10.1

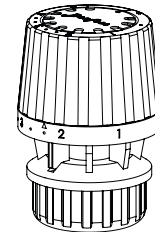
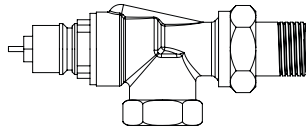
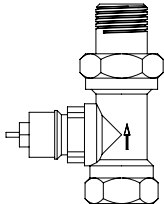
- 61610035 1 pc.
- 61610037 Mounting, 2 pcs./radiator
- 61610038 Mounting, 4 pcs./radiator

WALL BRACKET



Drawing 10.2

DANFOSS ACCESSORIES



Drawing 10.3

Hudevad recommends use of Danfoss accessories when fitting the radiator.
For further accessories please refer to the Hudevad Pricelist.

AVAILABILITY MATRIX

TAPPINGCODE 10 - ABCD - BOTH FEET AND WALL BRACKET

H200 mm/
H220 mm

Lgth./Type	22	33	44
1000/1010	●	●	●
1200/1210	●	●	●
1400/1410	●	●	●
1500/1510	●	●	●
1600/1610	●	●	●
1800/1810	●	●	●
2000/2010	●	●	●

TAPPINGCODE 11 - FF, BUILT-IN VALVE, RIGHT BOTH FEET AND WALL BRACKET

H200 mm/
H220 mm

Lgth./Type	22	33	44
1000/1010	●	●	●
1200/1210	●	●	●
1400/1410	●	●	●
1500/1510			
1600/1610	●	●	●
1800/1810	●	●	●
2000/2010	●	●	●

TAPPINGCODE 12 - EE, BUILT-IN VALVE, LEFT BOTH FEET AND WALL BRACKET

H200 mm/
H220 mm

Lgth./Type	22	33	44
1000/1010	●		●
1200/1210	●		●
1400/1410	●		●
1500/1510			
1600/1610	●		●
1800/1810	●		●
2000/2010	●		●

TAPPINGCODE 15 - E/F, NO VALVE BOTH FEET AND WALL BRACKET

H200 mm/
H220 mm

Lgth./Type	22	33	44
1000/1010			
1200/1210	●	●	●
1400/1410	●	●	●
1500/1510	●	●	●
1600/1610	●	●	●
1800/1810	●	●	●
2000/2010	●	●	●