



MINUETTE ELECTRIC

height 596 mm, length 540 mm. Chrome-plated finish (cod. 50).

**Technical features:**

- stainless brass towel warmer
- horizontal tubes 30 mm diameter
- side manifolds 30 mm diameter
- complete with thermal liquid

Price included:


- 4 adjustable wall fixing brackets in the same color of the radiator

Characteristics:


- ON/OFF switch
- power supply 230 V 50 Hz, 1 ph
- insulation: CLASS I, IP24
- connecting to a network equipment that comes with the phase, neutral and ground wire
- long electricity cable: 100 mm

Finishes available	Surcharge
Chrome-plated (cod. 50)	
Gold (cod. 52)	
Brushed Copper (cod. 5F)	
Satin Nickel (cod. 6E)	
Brushed Bronze (cod. 54)	

Finishes only for Minuette

Brushed Bronze 
Cod. 54
FINISHES




Brushed Copper 
Cod. 5F
FINISHES




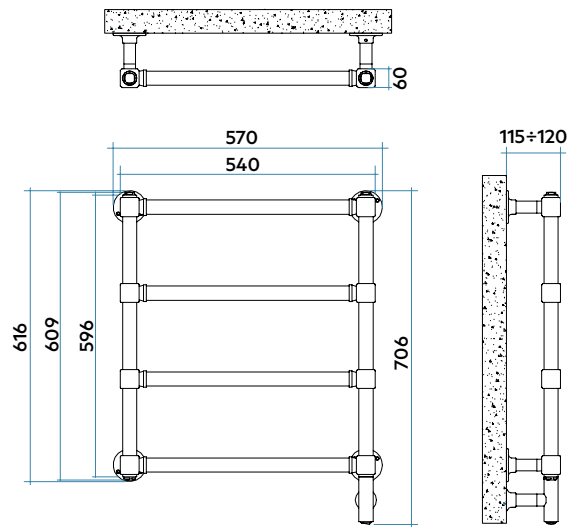
Gold 
Cod. 52
FINISHES



Satin Nickel 
Cod. 6E
FINISHES



Chrome-plated 
Cod. 50
FINISHES



Chrome-plated

Model	Code	Depth P mm	Height H mm	Width L mm	Weight Kg	Electric Power Watt
596 4 rails 3 espaces	MGS054 I 50 IR 01 NNN	60	596	540	8,5	150

Brushed Bronze

Model	Code	Depth P mm	Height H mm	Width L mm	Weight Kg	Electric Power Watt
596 4 rails 3 espaces	MGS054 I 54 IR 01 NNN	60	596	540	8,5	150

Gold / Brushed Copper / Satin Nickel

Model	Code	Depth P mm	Height H mm	Width L mm	Weight Kg	Electric Power Watt
596 4 rails 3 espaces	MGS054 I XX IR 01 NNN	60	596	540	8,5	150

Key Codes

Width	MGS	50	IR	01	NNN	Chrome-plated finish code (cod. 50)
	54					Brushed Bronze finish code
Height	596	XX	Finish option code: Gold (cod. 52); Brushed Copper (cod. 5F); Satin Nickel (cod. 6E)			

