



JAZZ_S
height 1260 mm, lenght 500 mm. Opaque White finish (cod. J8).

Technical features:

- steel towel warmer radiator
- horizontal elements featuring rectangular tubes 20x25 mm section
- 30x30 mm side squared manifolds
- manifold threading 1/2" Gas right
- maximum working pressure 4 bar
- maximum working temperature 95°C
- 50 mm connection
- not suitable for installation with a single-pipe system

Price included:

- 4 wall fixing in the same color as the radiator
- 2 1/2" hidden air vents complete with valve cover

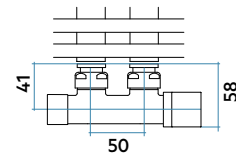
Finishes available

Standard White
Classic finished
Special finished
Other RAL colors

Surcharge

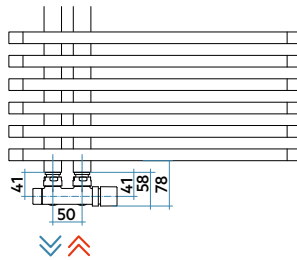
Finishing codes see page 596.

Connection dimensions with IRSAP valves

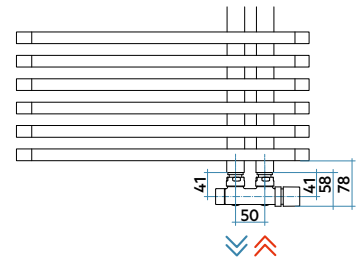


50 mm REVERSIBLE connection

The radiator can be installed with the 50 mm headers on the left or right by simply rotating the product by 180°.



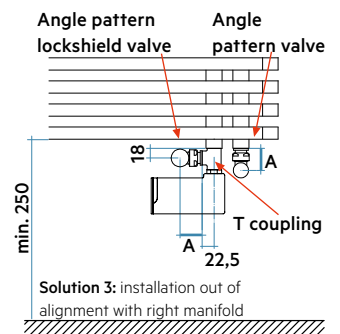
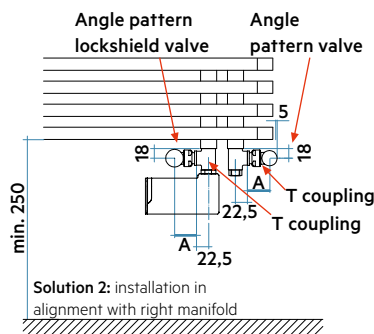
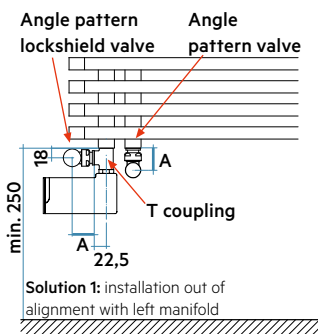
Type with collectors on the left
Hydraulic connection 50 mm



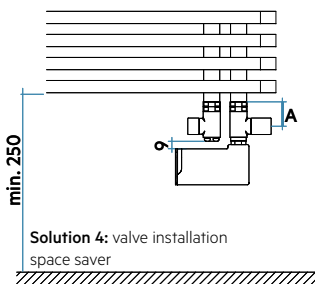
Type with collectors on the right
Hydraulic connection 50 mm

TYPICAL INSTALLATION FOR ALL RADIATORS USING A TEE

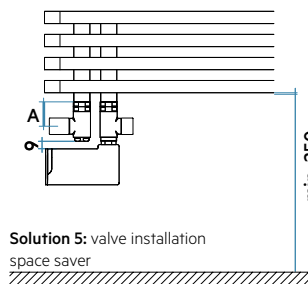
"A" quota for IRSAP angle pattern valves and lockshield valves = 40 mm

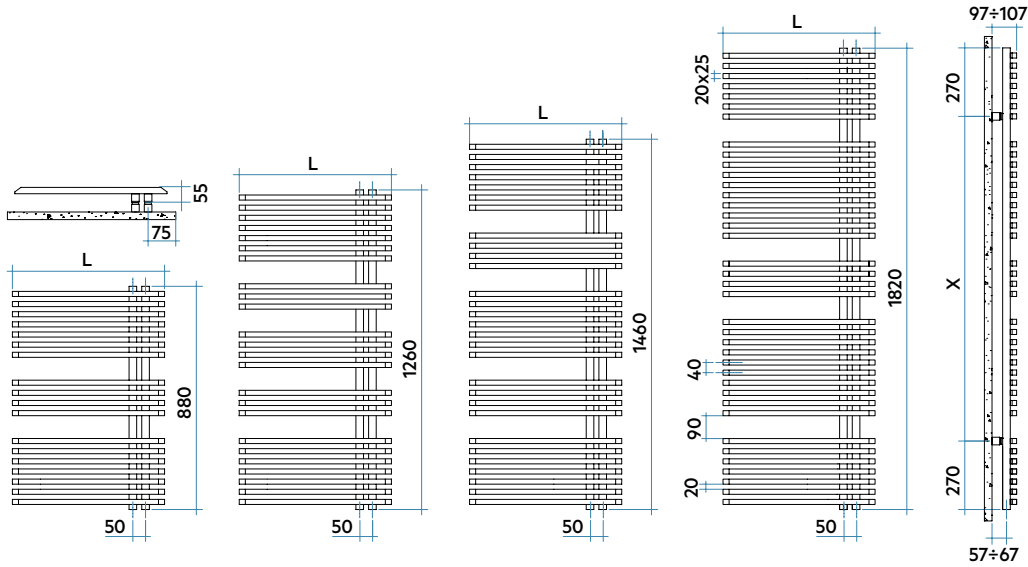


Order code: **VALKROSQMISTS01**



Order code: **VALKROSQMIST01**





L mm	H mm	X mm
500	880	340
500	1260	720
500	1460	920
600	1820	1280



Model	Code	Depth mm	Height mm	Width mm	Conn. centre mm	Weight Kg	Cap. lt	Thermal Power				Exp. n.	
								$\Delta t=50^{\circ}\text{C}$ Watt	$\Delta t=40^{\circ}\text{C}$ Watt	$\Delta t=30^{\circ}\text{C}$ Watt (*)	$\Delta t=20^{\circ}\text{C}$ Watt		
880 18 rails 2 espaces	ZRS050 B 01 IR 01 NNN	55	880	500	50	10,0	4,1	1416	415	318	226	140	1,189
1260 24 rails 4 espaces	ZRM050 B 01 IR 01 NNN	55	1260	500	50	13,6	5,4	1845	541	414	293	180	1,200
1460 29 rails 4 espaces	ZRL050 B 01 IR 01 NNN ZRL060 B 01 IR 01 NNN	55	1460	500	50	16,1	6,5	2175	637	486	343	209	1,216
1820 38 rails 4 espaces	ZRG060 B 01 IR 01 NNN	55	1820	600	50	23,9	9,7	3103	909	688	479	288	1,253

Mix. Funct.	Code
400	ANRES400WDI
400	ANRES400WDI
700	ANRES700WDI
700	ANRES700WDI
1000	ANRES1000WDI

Electric heater for Dual Power

BATHROOMS
RADIATORS

(*) Thanks to the high performance of Irsap JAZZ_S radiators, the ideal Δt for low temperature projects is Δt at 30°C .

For Δt different from 50°C use the formula: $Q=Q_n (\Delta t / 50)^n$

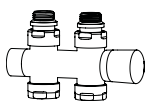
To order a radiator in the mixed version put the code of the Standard version + the code of the corresponding electric heater

Example: Mod. 1820 x 600: **ZRG060 B 01 IR 01 NNN** (€ 740,00) + **ANRES1000WDI** (€ 197,29) = Tot. € 937,29

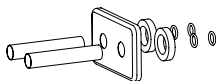
Key Codes

Width	Standard White colour code - for different colour codes see the colors page
ZR S 050 B	01 IR 01 NNN
Height	Packing code
	Standard hydraulic code connection

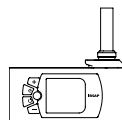
Decorative & Technical Accessories



Kit Valves and
Lockshield valve
Pag. 562



Pipe cover kit
Pag. 566



Electronic Control
Pag. 574

