

INTEGRAL LOWLINE



Datasheet

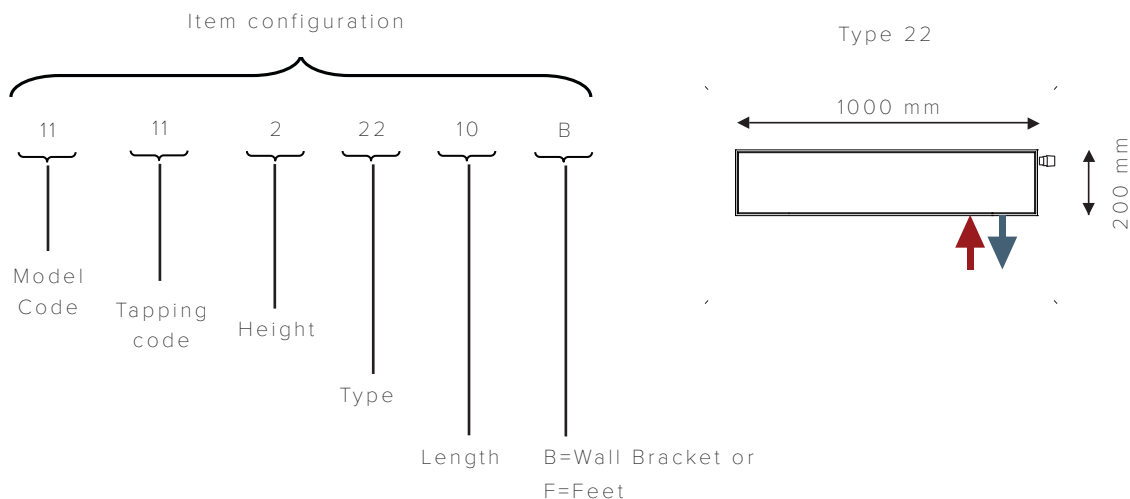
INDEX

Specification 2
 Description 3
 Tapping overview with measurements 4
 Built-in valves 5
 Forced water 6
 Other options 7
 Illustrations 7
 Dimensions 8
 Output 9
 Accessories 9
 Availability Matrix 10

SPECIFICATION

HOW TO SPECIFY AN ITEM

Item number example 11122210B



Note

Thermostat sensor head is not included in the product - should be ordered separately.
 If no orientation is specified, products will be delivered as a RIGHT version.

Please indicate installation option:

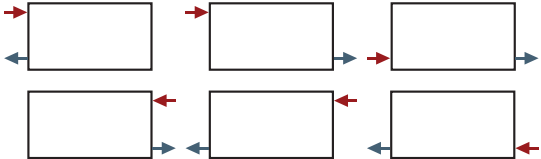
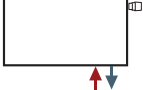
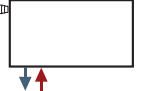
- B = Wall Bracket**
- F = Feet**

DESCRIPTION

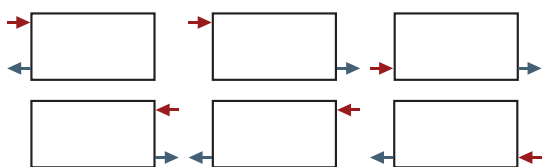
Hudevad Integral Lowline is a very robust radiator which fits into any environment. A stylish and timeless design with a flat front and back and with rounded corners complying with today's heating design demands. The Integral Lowline is perfect for use in front of large windows. The flat front and the flushed sides make the radiator very easy to clean and highly durable.

Material	Radiator panels: 1.20 mm steel according to EN10051 Heating element: steel panel according to EN442
Test pressure	13 bar
Max. operating pressure	10 bar - in accordance with EN 442
Max. operating temperature	110°C
Warranty	10 years
Surface treatment	Pre-treatment by degreasing and steel phosphating. Powder coated in accordance with DIN 55900, EN 442. On the emitter the powder coating is preceded by primer coating.
Type	22, 33 and 44 (Selected types not available in all tapping configurations)
Height	200 mm
Length	1000, 1200, 1400, 1500, 1600, 1800, 2000 mm (Availability of lengths varies depending of chosen tapping configuration and height)
Depth	102, 160 and 218 mm
Connections	All connections 1/2" standard (adapters available)
Installation	Air vent and blind plugs are included.
Mounting straps	No mounting straps
Colour	Powder coated in white RAL 9016, gloss 70 Option: Painted in other colours. Please see the Hudevad Radiator Design Colour Brochure at www.hudevad.com .
Options	Feet for floor mounting or brackets for wall mounting must be specified when ordering.

TAPPING OVERVIEW

Tapping code	Tapping type	Tapping possibilities
10	ABCD (4 tap)	
11	FF built-in valve (6 tap right)	
12	EE built-in valve (6 tap left)	

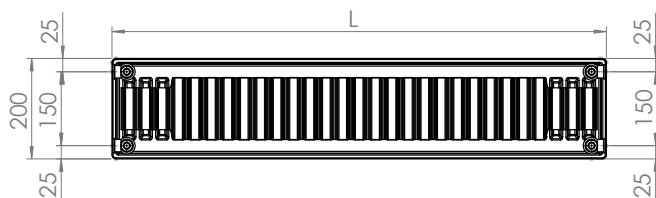
TAPPING CODE 10 - Tapping possibilities ABCD



Drawing 4.1

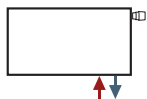
View from the front

H, mm	L in mm
200	1000, 1200 1400, 1500, 1600, 1800 and 2000 mm



View from the back

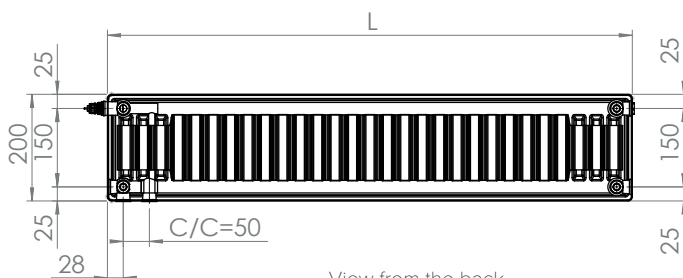
TAPPING CODE 11 - Tapping possibilities - FF built-in valve RIGHT



Drawing 4.2

View from the front

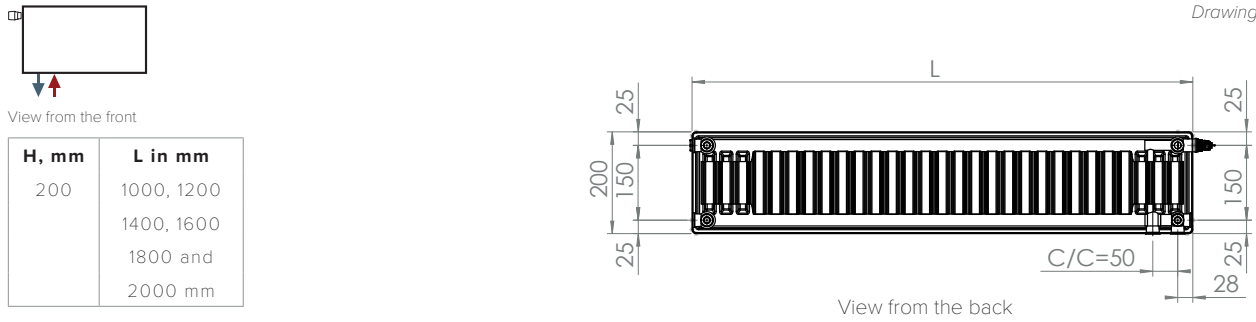
H, mm	L in mm
200	1000, 1200 1400, 1600 1800 and 2000 mm



View from the back

TAPPING CODE 12 - Tapping possibilities - EE built-in valve LEFT

Drawing 5.1

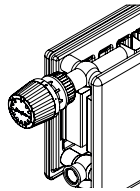


H, mm	L in mm
200	1000, 1200
	1400, 1600
	1800 and
	2000 mm

BUILT-IN VALVES

BUILT-IN VALVE

Drawing 5.2



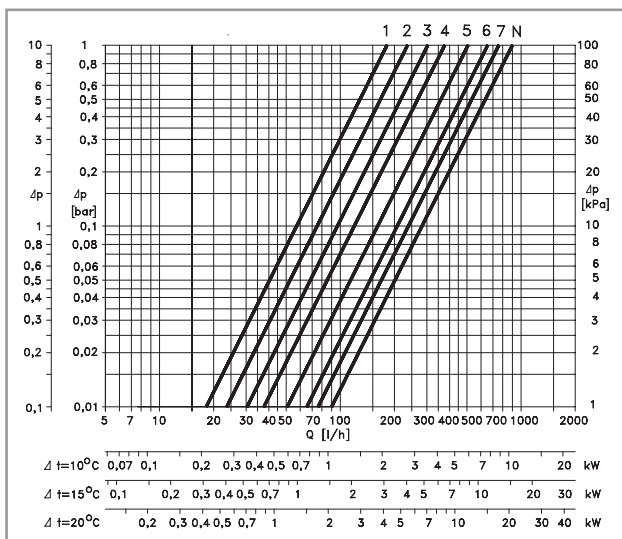
Application For use where a thermostatic valve is to be integrated within the radiator.

Built-in valve Tapping code 11 and 12 are supplied with Danfoss RA-N valve.

Tapping code 11 and 12 Built-in valve

Type	Code no.
RA-N	013G1382

Drawing 5.3



FORCED WATER

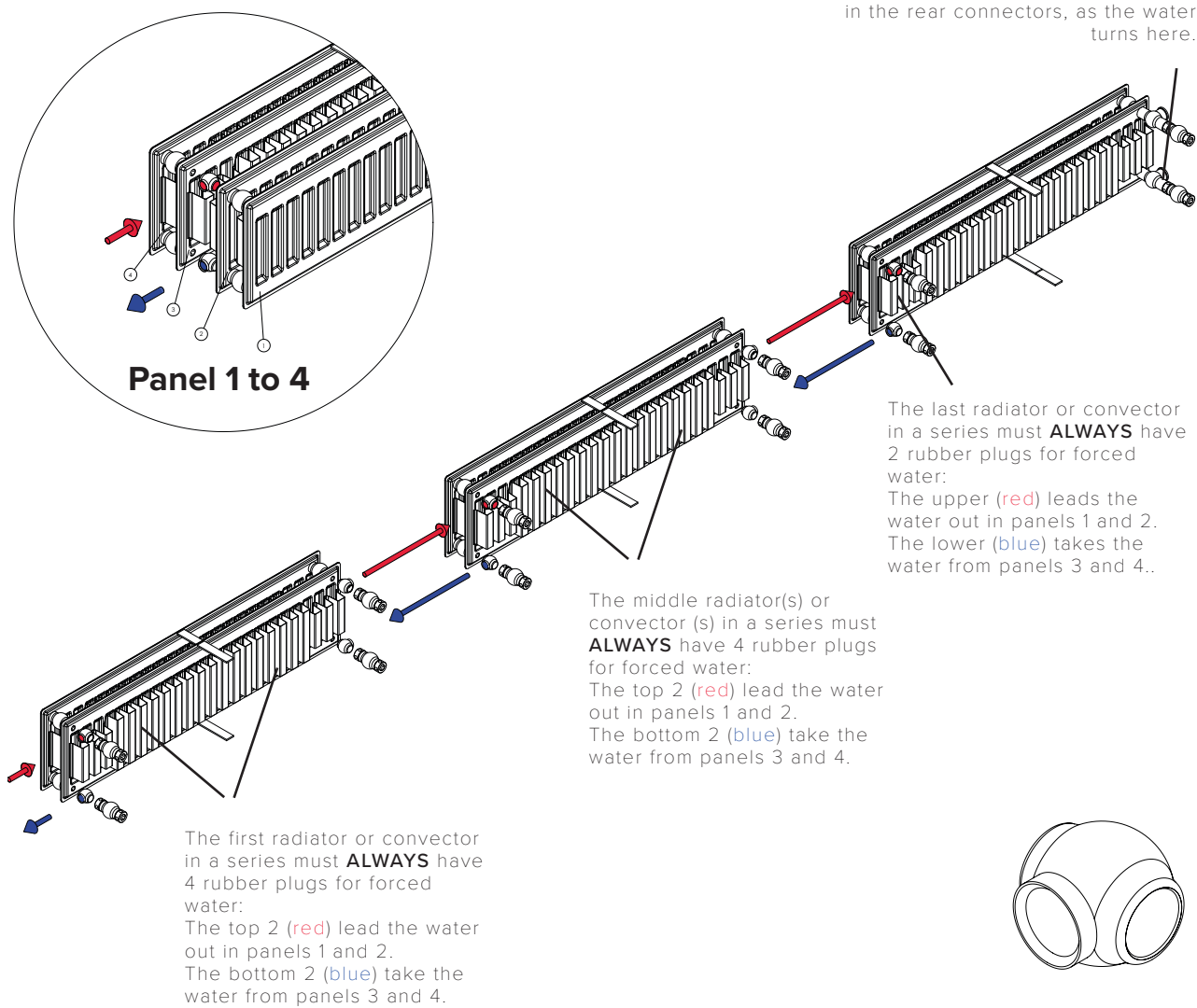
SERIAL CONNECTION

Hudevad Integral Lowline can be installed in serial connection using forced water. At the factory, rubber plugs are installed inside the radiator that directs the water in the right direction, so that the hot water is led out into the front panels and returns in the rear panels. Hudevad's serial connection can be used on all radiators or convectors with 4 connections (ABCD), but NOT on valve radiators. The system can be used on all radiators or convectors with 2 panels or more.



Drawing 71

HOW IT WORKS



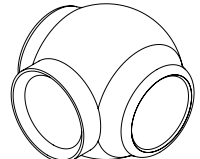
The last radiator or convector in a series must not have forced water in the rear connectors, as the water turns here.

Panel 1 to 4

The last radiator or convector in a series must **ALWAYS** have 2 rubber plugs for forced water:
The upper (red) leads the water out in panels 1 and 2.
The lower (blue) takes the water from panels 3 and 4..

The middle radiator(s) or convector (s) in a series must **ALWAYS** have 4 rubber plugs for forced water:
The top 2 (red) lead the water out in panels 1 and 2.
The bottom 2 (blue) take the water from panels 3 and 4.

The first radiator or convector in a series must **ALWAYS** have 4 rubber plugs for forced water:
The top 2 (red) lead the water out in panels 1 and 2.
The bottom 2 (blue) take the water from panels 3 and 4.



- 61610035 1 pc.
- 61610037 Mounting, 2 pcs./radiator
- 61610038 Mounting, 4 pcs./radiator

OTHER OPTIONS

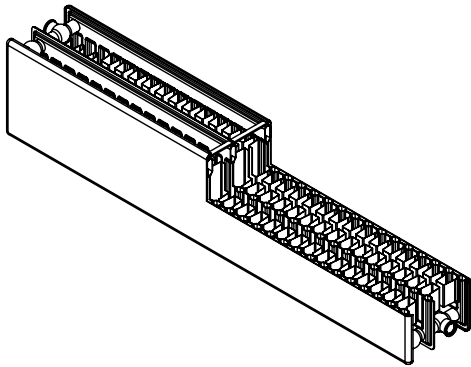
OTHER CONNECTIONS

Sometimes a build or location requires something out of the ordinary, so if you need a connection not mentioned in our tapping overview, then please contact our sales office at contact@hudevad.com and we will do our utmost to assist you.

ILLUSTRATIONS

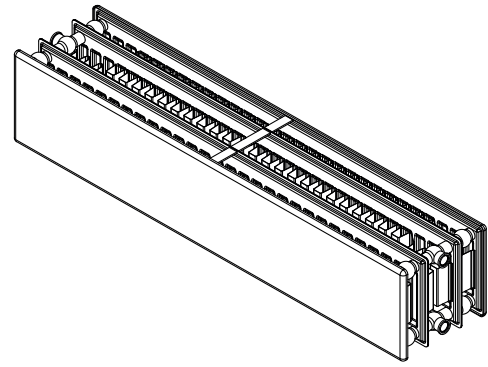
VIEW FROM THE FRONT

Drawing 7.1



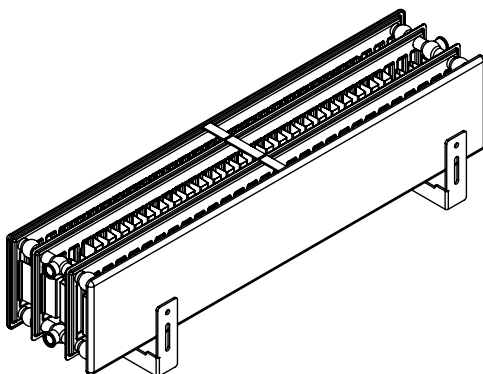
VIEW FROM THE BACK

Drawing 7.2



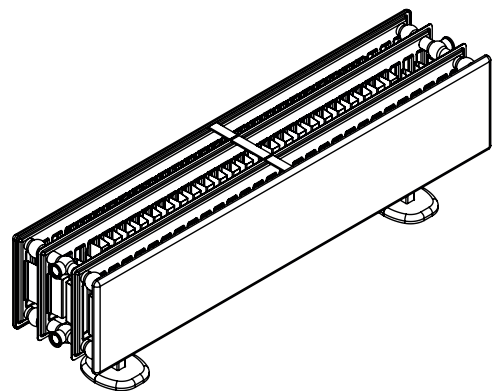
WALL MOUNTED

Drawing 7.3



FLOOR MOUNTED

Drawing 7.4



DIMENSIONS

WALL MOUNTED

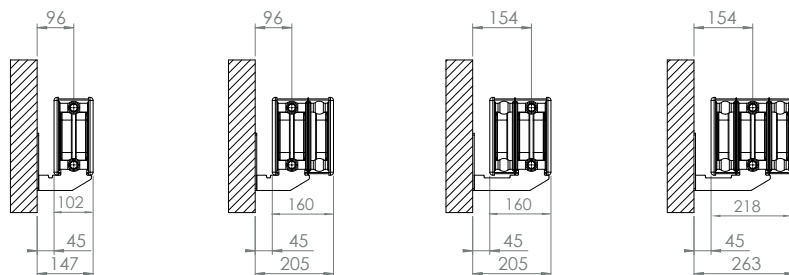
Supplied with Hudevad Lowline wall brackets

Type22

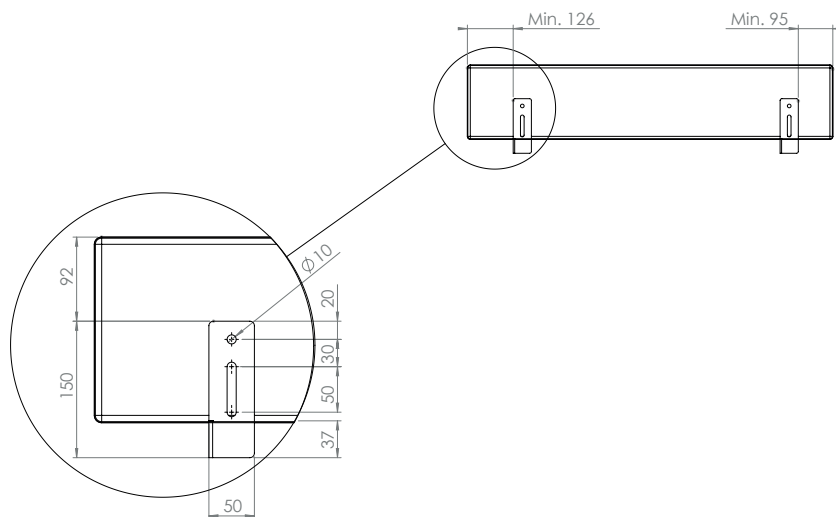
Type 33

Type 33 - Left

Drawing 8.1
Type 44



Drawing 8.2



FLOOR MOUNTED

Adjustable Panel Radiator feet with cover

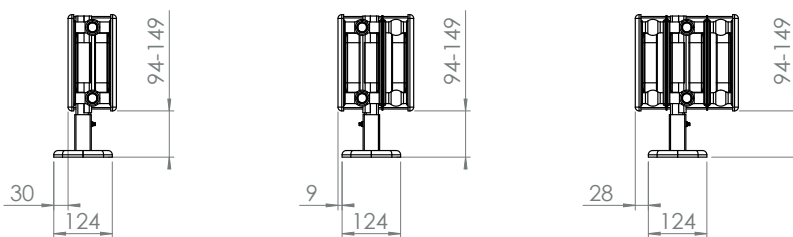
2 pcs. for length 1000 - 2000 mm.

Type22

Type 33

Type 44

Drawing 8.3



OUTPUT

TAPPING CODE 10, 11 AND 12

INTEGRAL T22

Height, mm	Output			Water content	Weight
	W/metre 75°/65°/20°	W/metre 70°/40°/20°	W/metre 60°/30°/20°	litres/ metre	kg/ metre
200	611	390	255	2.80	12.30

INTEGRAL T33

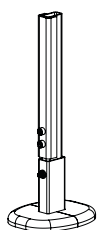
Height, mm	Output			Water content	Weight
	W/metre 75°/65°/20°	W/metre 70°/40°/20°	W/metre 60°/30°/20°	litres/ metre	kg/ metre
200	918	582	379	4.20	17.6

INTEGRAL T44

Height, mm	Output			Water content	Weight
	W/metre 75°/65°/20°	W/metre 70°/40°/20°	W/metre 60°/30°/20°	litres/ metre	kg/ metre
200	1197	755	489	5.60	23.0

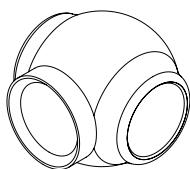
ACCESSORIES

FEET



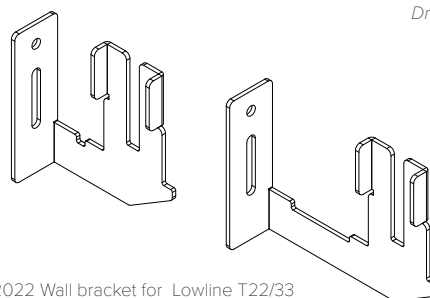
30204330 Panel radiator foot

FORCED WATER



61610035 1 pc.
61610037 Mounting, 2 pcs./radiator
61610038 Mounting, 4 pcs./radiator

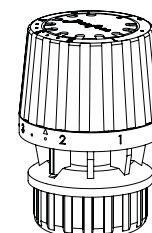
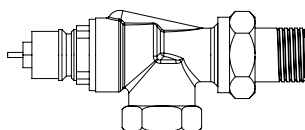
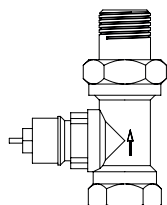
WALL BRACKET



Drawing 9.1

702022 Wall bracket for Lowline T22/33
702044 Wall bracket for Lowline T44

DANFOSS ACCESSORIES



Drawing 9.2

Hudevad recommends use of Danfoss accessories when fitting the radiator.
For further accessories please refer to the Hudevad Pricelist.

AVAILABILITY MATRIX

TAPPINGCODE 10 - ABCD - BOTH FEET AND WALL BRACKET

H200 mm/
H220 mm

Lgth./Type	22	33	44
1000/1010	●	●	●
1200/1210	●	●	●
1400/1410	●	●	●
1500/1510	●	●	●
1600/1610	●	●	●
1800/1810	●	●	●
2000/2010	●	●	●

TAPPINGCODE 11 - FF, BUILT-IN VALVE, RIGHT BOTH FEET AND WALL BRACKET

H200 mm/
H220 mm

Lgth./Type	22	33	44
1000/1010	●	●	●
1200/1210	●	●	●
1400/1410	●	●	●
1500/1510			
1600/1610	●	●	●
1800/1810	●	●	●
2000/2010	●	●	●

TAPPINGCODE 12 - EE, BUILT-IN VALVE, LEFT BOTH FEET AND WALL BRACKET

H200 mm/
H220 mm

Lgth./Type	22	33	44
1000/1010	●		●
1200/1210	●		●
1400/1410	●		●
1500/1510			
1600/1610	●		●
1800/1810	●		●
2000/2010	●		●