

FIONIA LOWLINE



Datasheet

INDEX

Specification 2

Description 3

Tapping overview with measurements 4

Built-in valves 6

Other options 6

Forced water 7

Illustrations 8

Dimensions 9

Output 10

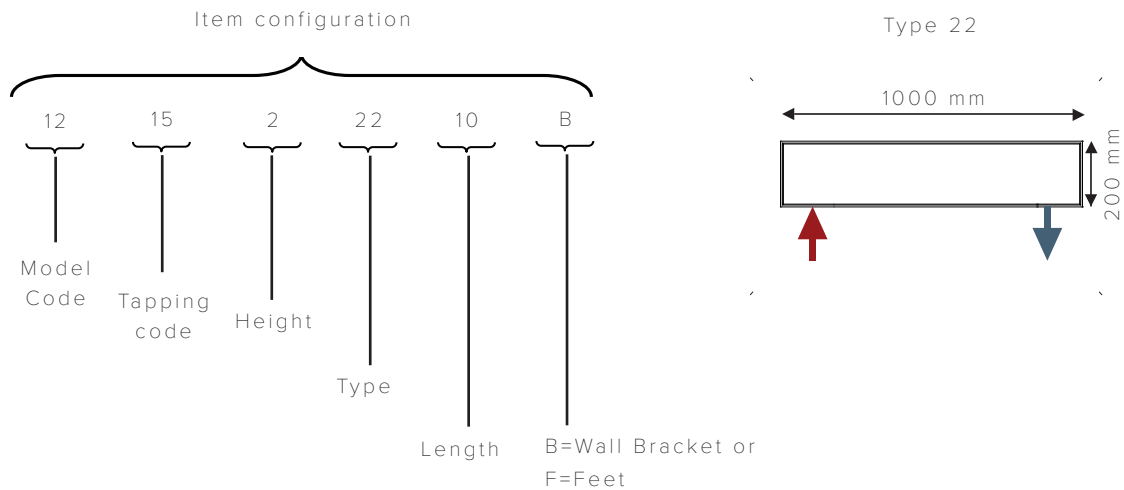
Accessories 11

Availability Matrix 12

SPECIFICATION

HOW TO SPECIFY AN ITEM

Item number example 121522210B



Note

Thermostat sensor head is not included in the product - should be ordered separately.
 If no orientation is specified, products will be delivered as a RIGHT version.

Please also note that tapping code 15 is supplied as a kit that must be assembled on site.

Please indicate installation option:

B = Wall Bracket

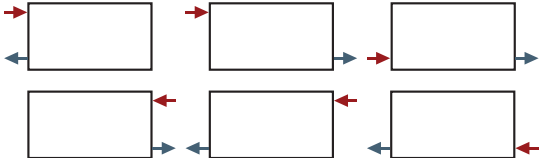


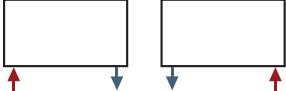
F = Feet

DESCRIPTION

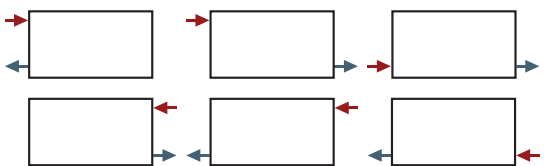
Hudevad Fionia Lowline is perfect for preventing cold draughts in front of glazing. The radiator is discreet and simple in design and has an optimal size for placement under window sills. Hudevad Fionia Lowline has a smooth rebated front and back plate, integrated detachable top grille and closed sides. It can be easily integrated into the interior of any room due to its clean and sleek design.

Material	Radiator casing: 2.00 mm steel according to EN10051 Heating element: steel panel according to EN442 Top grille: Powder coated steel
Test pressure	13 bar
Max. operating pressure	10 bar - in accordance with EN 442
Max. operating temperature	110°C
Warranty	10 years
Surface treatment	Pre-treatment by degreasing and steel phosphating. Powder coated in accordance with DIN 55900, EN 442. On the emitter the powder coating is preceded by primer coating
Type	22, 33 and 44 (Selected types not available in all tapping configurations)
Height	220 mm
Length	1010, 1210, 1410, 1510, 1610, 1810, 2010 mm (Availability of lengths varies depending of chosen tapping configuration and height)
Depth	118, 176 and 234 mm
Connections	All tappings 1/2" standard (adapters available)
Installation	Air vent and blind plugs are included. Feet for floor mounting or Lowline brackets are included.
Mounting straps	No mounting straps
Colour	Powder coated in white RAL 9016, gloss 70 Option: Painted in other colours. Please see the Hudevad Radiator Design Colour Brochure at www.hudevad.com
Options	Anti tamper bracket and feet. For further options contact your local Hudevad sales agent.

TAPPING OVERVIEW

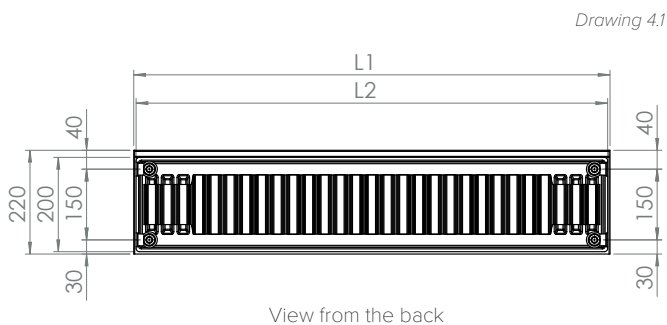
Tapping code	Extended casing and kit	Tapping type	Tapping possibilities
10		ABCD (4 tap)	
11		FF built-in valve (6 tap right)	
12		EE built-in valve (6 tap left)	
15	✓	E/F, no valve	

TAPPING CODE 10 - Tapping possibilities ABCD

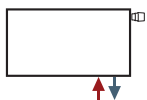


View from the front

H, mm	L1 in mm	L2 in mm
220	1010, 1210	1000, 1200
	1410, 1510,	1400, 1500,
	1610, 1810	1600, 1800
	and 2010 mm	and 2000 mm

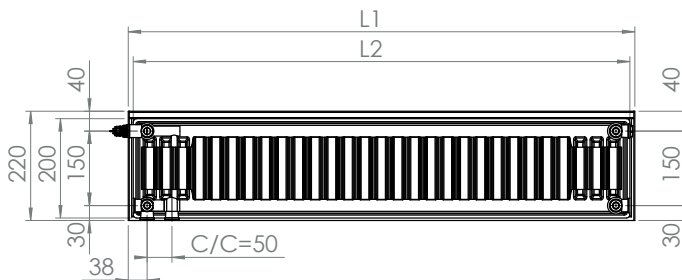


TAPPING CODE 11 - Tapping possibilities - FF built-in valve RIGHT



View from the front

H, mm	L1 in mm	L2 in mm
220	1020, 1220	1000, 1200
	1420, 1620	1400, 1600
	1820 and	1800 and
	2020 mm	2000 mm



View from the back

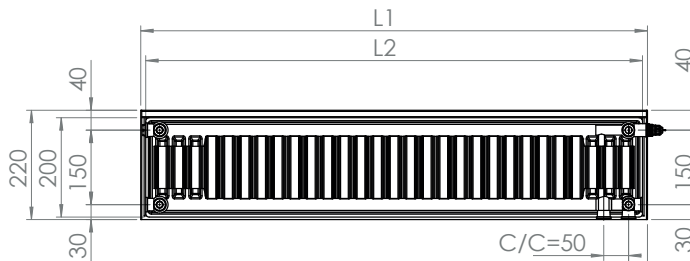
Drawing 5.1

TAPPING CODE 12 - Tapping possibilities - EE built-in valve LEFT



View from the front

H, mm	L1 in mm	L2 in mm
220	1020, 1220	1000, 1200
	1420, 1620	1400, 1600
	1820 and	1800 and
	2020 mm	2000 mm



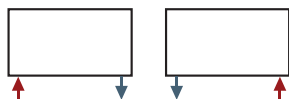
View from the back

Drawing 5.2

Note

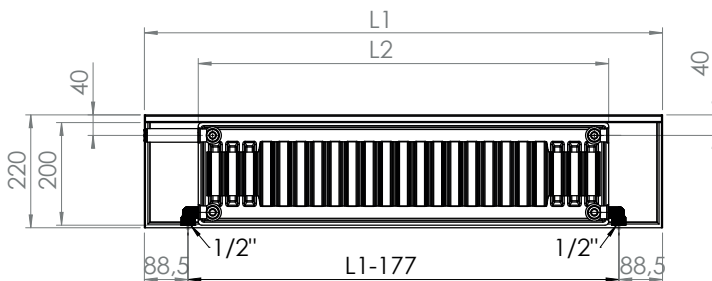
Type 33 is not possible as a left version

TAPPING CODE 15 - Tapping possibilities E/F, no valve



View from the front

H, mm	L1 in mm	L2 in mm
220	1210, 1410	1000, 1200
	1510, 1610	1300, 1400,
	1810	1600
	and 2010 mm	and 1800 mm

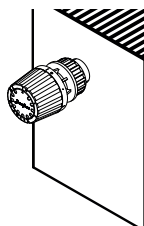


View from the back

Drawing 5.3

Tapping Code 15 is made using an extended casing (200 mm), offering concealed pipework with standard EU measurements

BUILT-IN VALVES



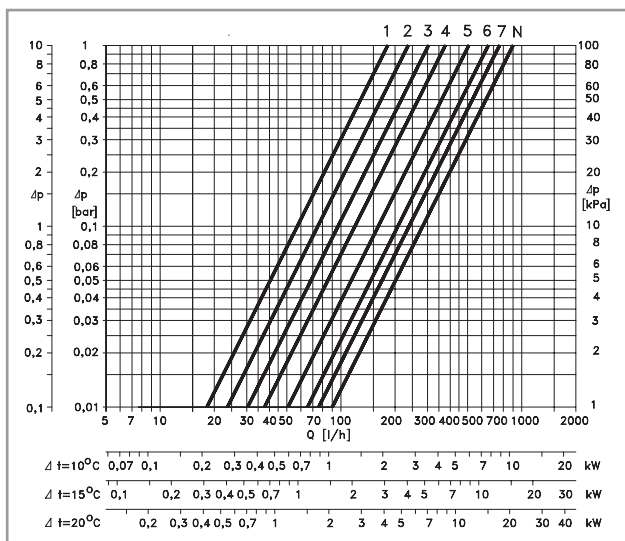
Drawing 6.1

Application For use where a thermostatic valve is to be integrated within the radiator to offer discreet pipework and ease of installation. The thermostatic sensor of the valve is passed through a hole in the side of the radiator.

Built-in valve Hudevad radiators with built-in valve is supplied with Danfoss RA-N valve.

Tapping code 11 and 12
Built-in valve

Type	Code no.
RA-N	013G1382



Drawing 6.2

OTHER OPTIONS

OTHER CONNECTIONS

Sometimes a build or location requires something out of the ordinary, so if you need a connection not mentioned in our tapping overview, then please contact our sales office at contact@hudevad.com and we will do our utmost to assist you.

FORCED WATER

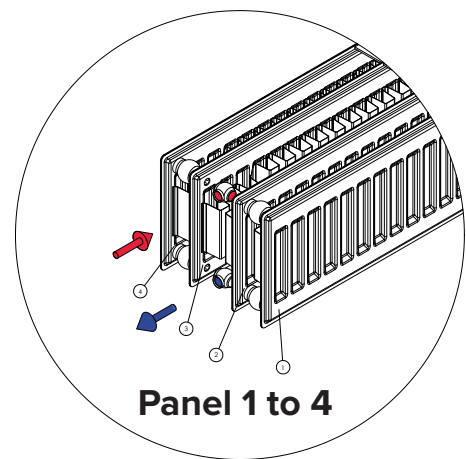
SERIAL CONNECTION

Hudevad Fionia can be installed in serial connection using forced water. At the factory, rubber plugs are installed inside the radiator that directs the water in the right direction, so that the hot water is led out into the front panels and returns in the rear panels. Hudevad's serial connection can be used on all radiators or convectors with 4 connections (ABCD), but NOT on valve radiators. The system can be used on all radiators or convectors with 2 panels or more.

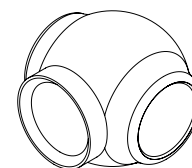
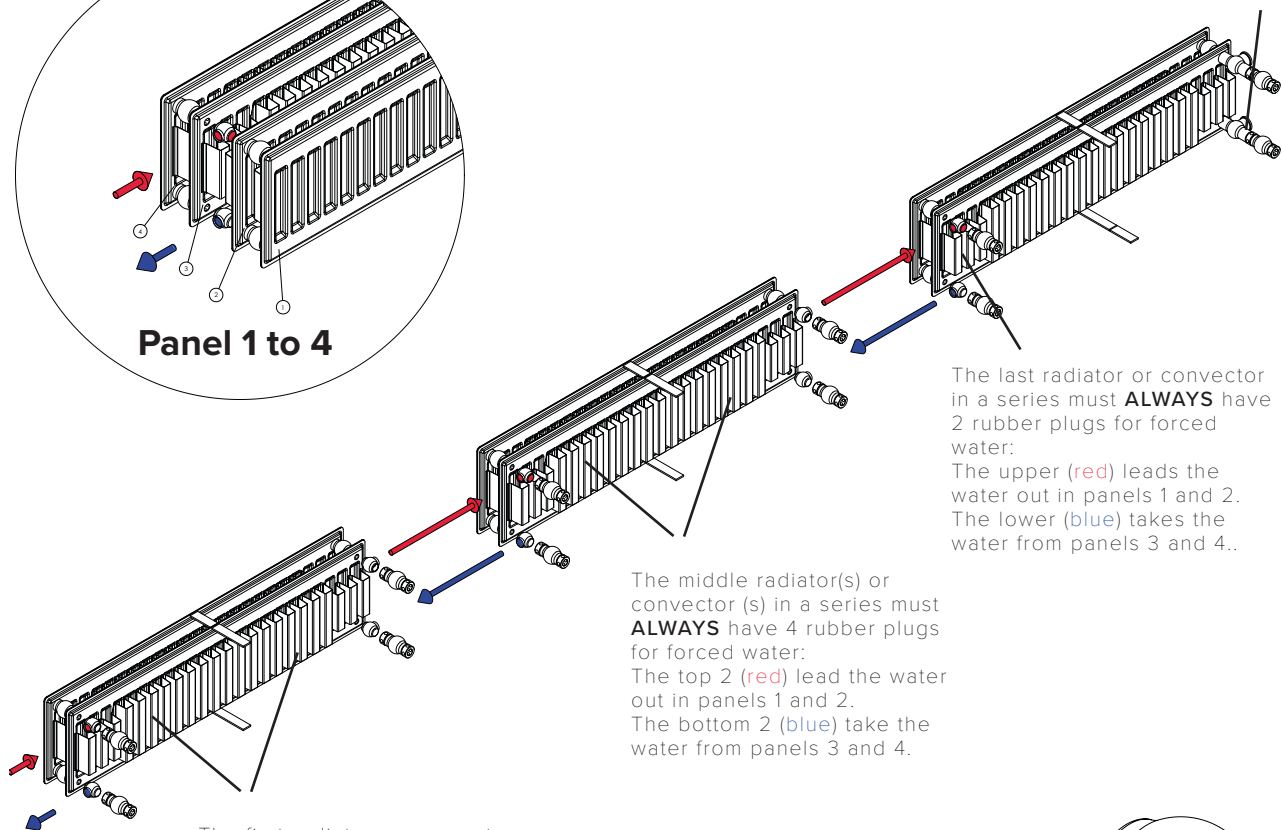


Drawing 71

HOW IT WORKS



The last radiator or convector in a series must not have forced water in the rear connectors, as the water turns here.

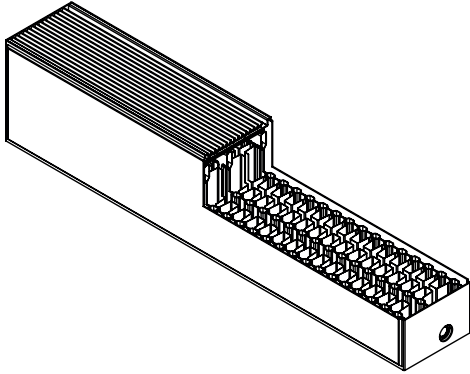


- 61610035 1 pc.
- 61610037 Mounting, 2 pcs./radiator
- 61610038 Mounting, 4 pcs./radiator

ILLUSTRATIONS

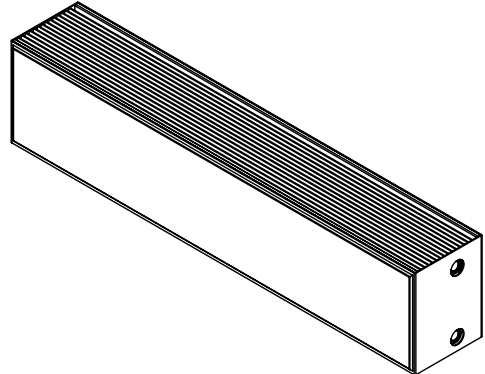
VIEW FROM THE FRONT

Drawing 7.1



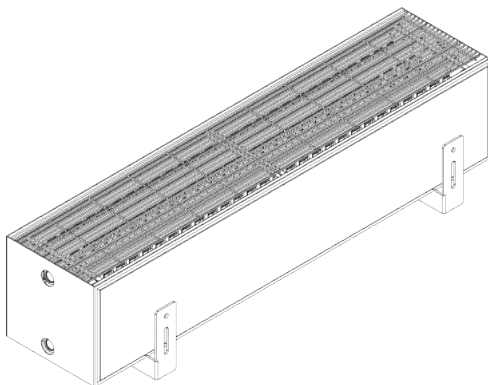
VIEW FROM THE BACK

Drawing 7.2



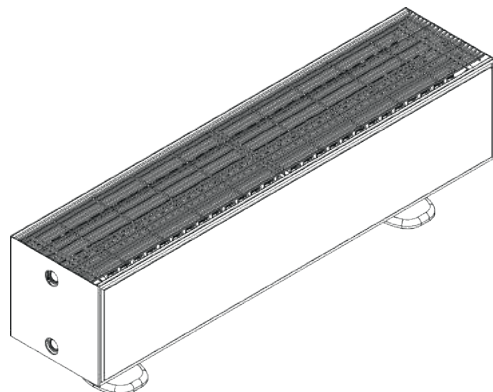
WALL MOUNTED

Drawing 7.3



FLOOR MOUNTED

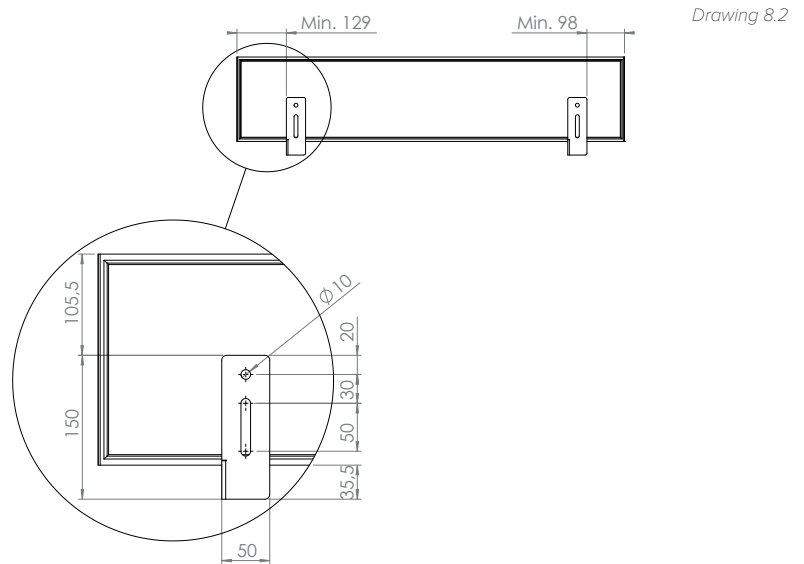
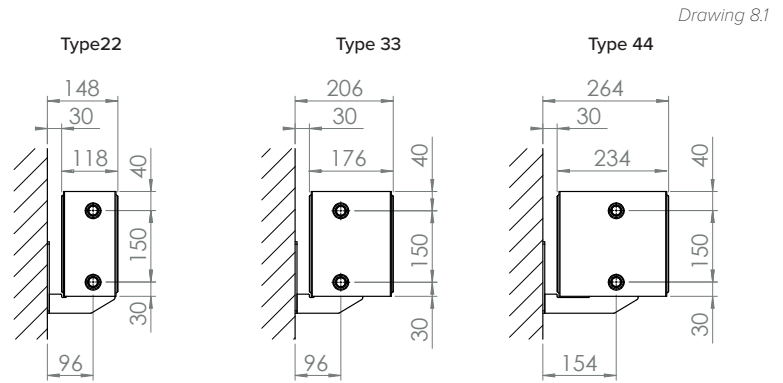
Drawing 7.4



DIMENSIONS

WALL MOUNTED

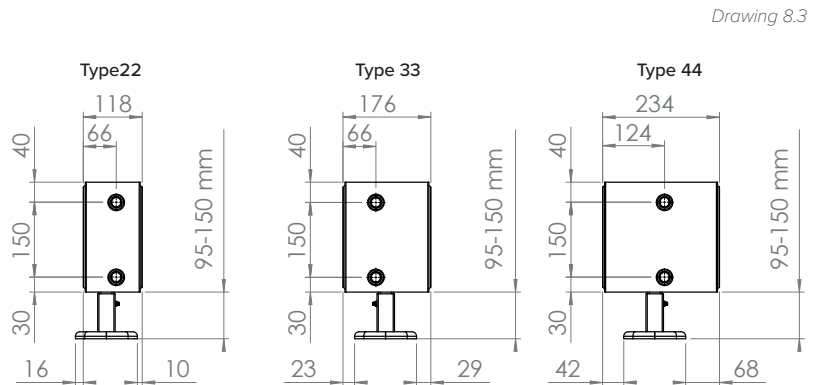
Supplied with Hudevad Lowline wall brackets



FLOOR MOUNTED

Adjustable Panel Radiator feet with cover

2 pcs. for length 1000 – 2000 mm.



OUTPUT

TAPPING CODE 10, 11 AND 12

FIONIA T22

Height, mm	Output			Water content	Weight
	W/metre 75°/65°/20°	W/metre 70°/40°/20°	W/metre 60°/30°/20°	litres/ metre	kg/ metre
200	576	366	239	2.80	22.4

FIONIA T33

Height, mm	Output			Water content	Weight
	W/metre 75°/65°/20°	W/metre 70°/40°/20°	W/metre 60°/30°/20°	litres/ metre	kg/ metre
200	906	578	379	4.20	29.5

FIONIA T44

Height, mm	Output			Water content	Weight
	W/metre 75°/65°/20°	W/metre 70°/40°/20°	W/metre 60°/30°/20°	litres/ metre	kg/ metre
200	1181	747	485	5.60	36.5

TAPPING CODE 15 (EXTENDED CASING)

Note

Data is based on the emitter length, NOT total length.
Total length = emitter length + 200 mm

FIONIA T22

Height, mm	Output (emitter)			Water content	Weight
	W/metre 75°/65°/20°	W/metre 70°/40°/20°	W/metre 60°/30°/20°	litres/ metre	kg/ metre
200	576	366	239	2.80	23.4

FIONIA T33

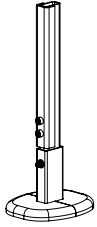
Height, mm	Output (emitter)			Water content	Weight
	W/metre 75°/65°/20°	W/metre 70°/40°/20°	W/metre 60°/30°/20°	litres/ metre	kg/ metre
200	906	578	379	4.20	31.0

FIONIA T44

Height, mm	Output (emitter)			Water content	Weight
	W/metre 75°/65°/20°	W/metre 70°/40°/20°	W/metre 60°/30°/20°	litres/ metre	kg/ metre
200	1181	747	485	5.60	38.7

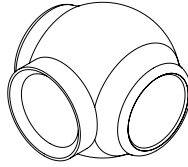
ACCESSORIES

FEET



30204330 Panel radiator feet

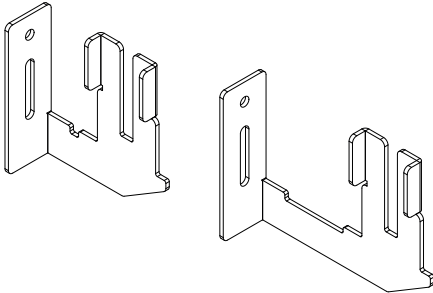
FORCED WATER



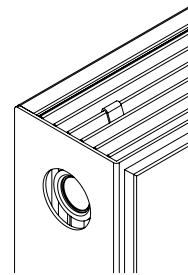
61610035 1 pc.
61610037 Mounting, 2 pcs./radiator
61610038 Mounting, 4 pcs./radiator

Drawing 10.1

WALL BRACKET

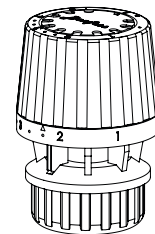
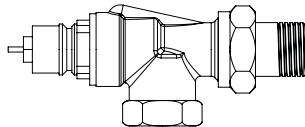
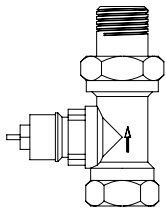


ANTI TAMPER BRACKET FOR GRILL



Drawing 10.2

DANFOSS ACCESSORIES



Drawing 10.3

Hudevad recommends use of Danfoss accessories when fitting the radiator.
For further accessories please refer to the Hudevad Pricelist.

AVAILABILITY MATRIX

TAPPINGCODE 10 - ABCD - BOTH FEET AND WALL BRACKET

H200 mm/
H220 mm

Lgth./Type	22	33	44
1000/1010	●	●	●
1200/1210	●	●	●
1400/1410	●	●	●
1500/1510	●	●	●
1600/1610	●	●	●
1800/1810	●	●	●
2000/2010	●	●	●

TAPPINGCODE 11 - FF, BUILT-IN VALVE, RIGHT BOTH FEET AND WALL BRACKET

H200 mm/
H220 mm

Lgth./Type	22	33	44
1000/1010	●	●	●
1200/1210	●	●	●
1400/1410	●	●	●
1500/1510			
1600/1610	●	●	●
1800/1810	●	●	●
2000/2010	●	●	●

TAPPINGCODE 12 - EE, BUILT-IN VALVE, LEFT BOTH FEET AND WALL BRACKET

H200 mm/
H220 mm

Lgth./Type	22	33	44
1000/1010	●		●
1200/1210	●		●
1400/1410	●		●
1500/1510			
1600/1610	●		●
1800/1810	●		●
2000/2010	●		●

TAPPINGCODE 15 - E/F, NO VALVE BOTH FEET AND WALL BRACKET

H200 mm/
H220 mm

Lgth./Type	22	33	44
1000/1010			
1200/1210	●	●	●
1400/1410	●	●	●
1500/1510	●	●	●
1600/1610	●	●	●
1800/1810	●	●	●
2000/2010	●	●	●