

ELLIPSIS_V 2

Vertical



ELLIPSIS

ELLIPSIS_V 2 VERTICAL

10 elements, height 1820 mm, length 600 mm. Opaque White finish (cod. J8). Configuration cod. 80.



Technical features:

- manifolds with a 30 mm diameter circular section
- tubes made of sheet steel with a 50x25 mm elliptical section
- manifold threading 1/2" Gas right
- maximum working pressure 4 bar
- maximum working temperature 95°C

Finishes available Surcharge

Standard White
 Classic finishes
 Special finishes
 Other RAL colors

Finishing codes see page 596.

Price included:



Number of elements:

Radiators with an odd number of elements will be supplied at the same price as a radiator with the next even number of elements.

For example: a ELLIPSIS_V 2 Vertical 1820 high and 9 elements wide = the price of a ELLIPSIS_V 2 Vertical 1820 high and 10 elements wide.

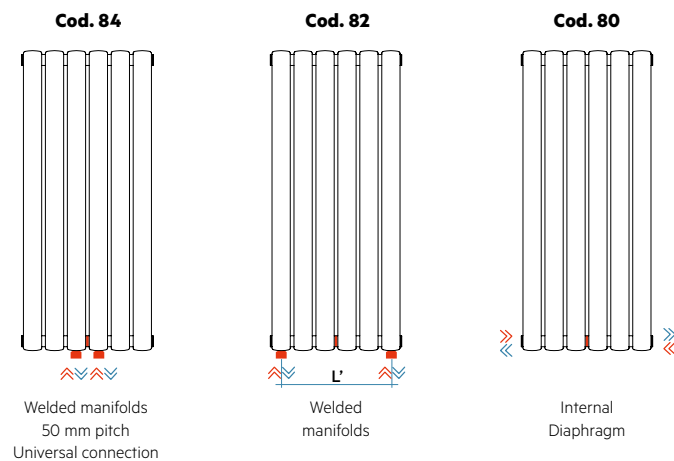


Model	Code	Depth mm	Height H mm	Conn. centre H' mm	Weight Kg	Capacity lt	Thermal Power				Exponent n.	
							$\Delta t=50^{\circ}\text{C}$ Btu/h Watt	$\Delta t=40^{\circ}\text{C}$ Watt	$\Delta t=30^{\circ}\text{C}$ Watt (*)	$\Delta t=20^{\circ}\text{C}$ Watt		
520	TL2 0520 YY 01 IR 01 A	76	520	470	1,34	0,94	196,1	57,5	43,2	29,9	17,8	1,280
650	TL2 0650 YY 01 IR 01 A	76	650	600	1,60	1,16	245,1	71,8	53,8	37,1	21,9	1,295
700	TL2 0700 YY 01 IR 01 A	76	700	650	1,70	1,25	264,0	77,4	58,0	39,9	23,6	1,295
920	TL2 0920 YY 01 IR 01 A	76	920	870	2,15	1,62	342,5	100,4	74,9	51,3	30,1	1,314
1020	TL2 1020 YY 01 IR 01 A	76	1020	970	2,35	1,79	376,2	110,2	82,2	56,3	33,1	1,314
1220	TL2 1220 YY 01 IR 01 A	76	1220	1170	2,75	2,12	443,9	130,1	97,1	66,6	39,2	1,310
1520	TL2 1520 YY 01 IR 01 A	76	1520	1470	3,35	2,63	546,8	160,3	119,7	82,2	48,4	1,306
1820	TL2 1820 YY 01 IR 01 A	76	1820	1770	3,95	3,14	648,6	190,1	142,2	97,7	57,6	1,302
2020	TL2 2020 YY 01 IR 01 A	76	2020	1970	4,35	3,48	714,4	209,4	156,7	107,8	63,6	1,300

(*) Thanks to the high performance of Irsap ELLIPSIS_V 2 Vertical radiators, the ideal Δt for low temperature projects is Δt at 30°C.

For Δt different from 50°C use the formula: $Q=Q_n (\Delta t / 50)^n$

Special Options



Manifolds:

The pipefittings welded on the bottom manifold can be positioned at any point at a specified distance between centres. It is compulsory in this type of installation to install a diaphragm during production to ensure the product functions correctly. The minimum possible distance between centres is equal to 50 mm (cod. 84), while the maximum distance depends on the length of the radiator (cod. 82).

The maximum distance between centres is equal to the number of elements - 1 multiplied by 60 (element pitch): $L' = 60 \times (n^{\circ} \text{ of elements} - 1)$.

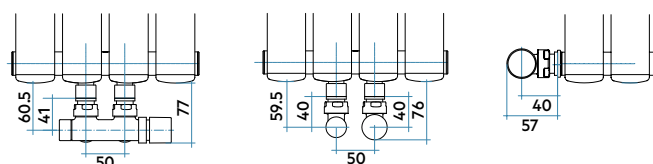
Bottom Connections (Cod. M82, M84): For bottom water connections insert an internal flow diverter to the bottom manifold

Internal Diaphragm (Cod. M80): Prearrangement for bottom connections with 1/2" welded fittings and internal baffle

Configured for connection with single-pipe valve: connection available only for modul and/or double-pipe systems, no monotube valve with loop - (specify water inlet)

For other connections see page 172

Connection dimensions with IRSAP valves



Key Codes

Height | Number of elements | Packing code | Standard hydraulic code connection.
 For other connections, see pag. 172

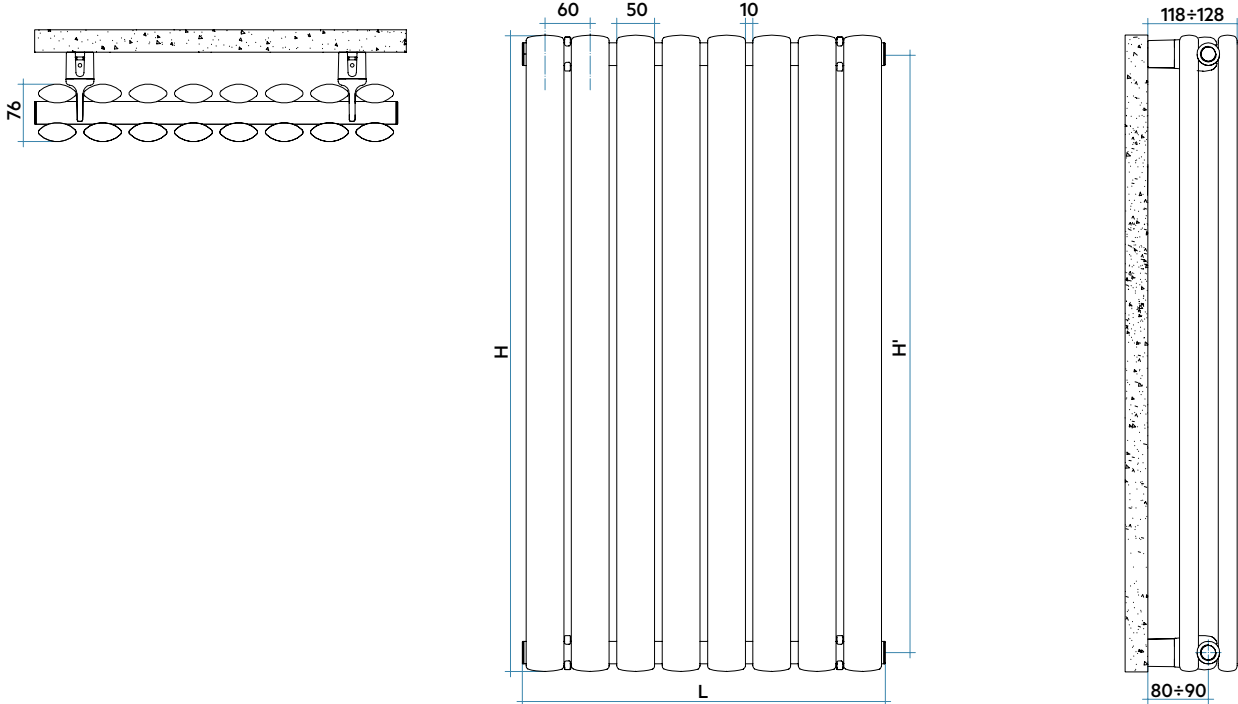
TL 2 0520 YY 01 IR 01 A — Vertical

Standard White color code.

For different color codes see the colors page.

ELLIPSIS_V 2

Vertical



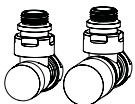
ELLIPSIS

COMPLETE BATTERY DATA

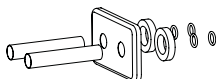
HEIGHT (H)

(L)			520	650	700	920	1020	1220	1520	1820	2020
Lenght mm	240										
<i>yy = N° elem.</i>	4	W	230	287	309	402	441	520	641	760	837
Lenght mm	360										
<i>yy = N° elem.</i>	6	W	345	431	464	602	662	781	962	1141	1256
Lenght mm	480										
<i>yy = N° elem.</i>	8	W	460	575	619	803	882	1041	1282	1521	1675
Lenght mm	600										
<i>yy = N° elem.</i>	10	W	575	719	774	1004	1103	1301	1603	1901	2094
Lenght mm	720										
<i>yy = N° elem.</i>	12	W	690	862	928	1205	1323	1561	1923	2281	2512
Lenght mm	840										
<i>yy = N° elem.</i>	14	W	805	1006	1083	1405	1544	1821	2244	2661	2931
Lenght mm	960										
<i>yy = N° elem.</i>	16	W	920	1150	1238	1606	1764	2082	2564	3041	
Lenght mm	1080										
<i>yy = N° elem.</i>	18	W	1035	1293	1393	1807	1985	2342	2885		
Lenght mm	1200										
<i>yy = N° elem.</i>	20	W	1150	1437	1547	2008	2205	2602	3205		
Lenght mm	1320										
<i>yy = N° elem.</i>	22	W	1265	1581	1702	2208	2426	2862			
Lenght mm	1440										
<i>yy = N° elem.</i>	24	W	1380	1724	1857	2409	2646	3122			
Lenght mm	1560										
<i>yy = N° elem.</i>	26	W	1494	1868	2012	2610	2867				
Lenght mm	1680										
<i>yy = N° elem.</i>	28	W	1609	2012	2166	2811	3087				
Lenght mm	1800										
<i>yy = N° elem.</i>	30	W	1724	2156	2321	3011					

Decorative & Technical Accessories



Kit Valves and
Lockshield valve
Pag. 562



Pipe cover kit
Pag. 566

