



BELLA
6 elements, height 875 mm, length 532 mm. Satin Stainless Steel finish (cod. AS).



Technical features:

- stainless steel towel radiator
- horizontal tubes 25 mm diameter
- lateral manifolds 25 mm diameter
- 1/2" Gas right threading
- maximum working pressure 15 bar
- maximum working temperature 95°C

Price included:

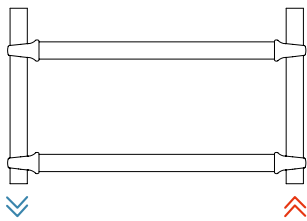
- 2 pcs Elbow-type design valve fitting 1/2" connection thread on the radiator's manifold
- 2 pcs 15 mm copper tube connection kit
- 2 pcs 1/2" M eccentric tube, to suit the 15 mm valve copper connection, complete with wall cover to hide the pipe fittings
- 2 pcs wall bracket matching radiator's colour/finishing
- 1 air vent valve
- 1 blind plug

Finishes available

Surcharge

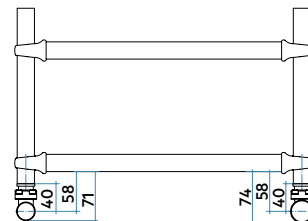
Standard White Stainless Steel (cod. 01)
 Chrome-plated (cod. 50)
 Brushed Copper (cod. 5F)
 Satin Nickel (cod. 6E)

Standard Connections



Laterals

Connection dimensions with IRSAP valves



Available finishes:
Tube Chrome-plated finish (cod. 50);
Ring Chrome-plated finish.



Available finishes:
Tube Standard White finish (cod. 01);
Ring Chrome-plated finish.

Finishes only for Bella



Standard White **G**
 Cod. 01
 FINISHES



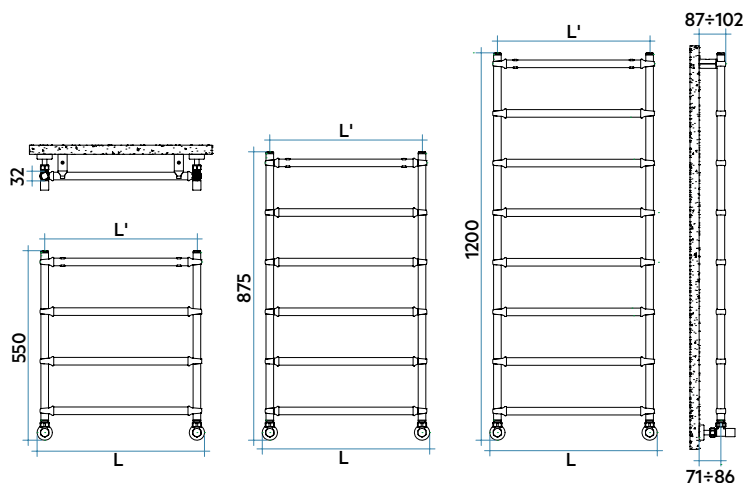
Chrome-plated **G**
 Cod. 50
 FINISHES



Brushed Copper **G**
 Cod. 5F
 FINISHES



Satin Nickel **G**
 Cod. 6E
 FINISHES



Chrome-plated - Chrome-plated / Brushed Copper - Brushed Copper / Satin Nickel - Satin Nickel

| Model | Code | Depth P mm | Height H mm | Width L mm | Con. Centre L' mm | Weight Kg | Cap. lt | Thermal Power | | | | Exp. n. | |
|-----------------|-----------------------|---------------|----------------|---------------|----------------------|--------------|------------|--|---------------------------------------|---|---------------------------------------|------------|-------|
| | | | | | | | | $\Delta t=50^{\circ}\text{C}$ Btu/h | $\Delta t=40^{\circ}\text{C}$ Watt | $\Delta t=30^{\circ}\text{C}$ Watt (*) | $\Delta t=20^{\circ}\text{C}$ Watt | | |
| 623 4 rails | BES043 B XX IR 01 NNN | 32 | 550 | 432 | 400 | 3,2 | 0,9 | 396 | 116 | 87 | 60 | 36 | 1,280 |
| | BES053 B XX IR 01 NNN | 32 | 550 | 532 | 500 | 3,4 | 1,1 | 450 | 132 | 99 | 69 | 41 | 1,270 |
| | BES063 B XX IR 01 NNN | 32 | 550 | 632 | 600 | 3,6 | 1,2 | 488 | 143 | 108 | 75 | 45 | 1,261 |
| 948 6 rails | BEP043 B XX IR 01 NNN | 32 | 875 | 432 | 400 | 4,9 | 1,4 | 536 | 157 | 119 | 84 | 51 | 1,230 |
| | BEP053 B XX IR 01 NNN | 32 | 875 | 532 | 500 | 5,2 | 1,6 | 607 | 178 | 135 | 95 | 57 | 1,234 |
| | BEP063 B XX IR 01 NNN | 32 | 875 | 632 | 600 | 5,6 | 1,9 | 655 | 192 | 146 | 102 | 62 | 1,238 |
| 1273 8 rails | BEM043 B XX IR 01 NNN | 32 | 1200 | 432 | 400 | 6,6 | 1,9 | 676 | 198 | 149 | 103 | 61 | 1,277 |
| | BEM053 B XX IR 01 NNN | 32 | 1200 | 532 | 500 | 7,1 | 2,2 | 764 | 224 | 169 | 117 | 70 | 1,276 |
| | BEM063 B XX IR 01 NNN | 32 | 1200 | 632 | 600 | 7,6 | 2,5 | 826 | 242 | 182 | 126 | 75 | 1,275 |

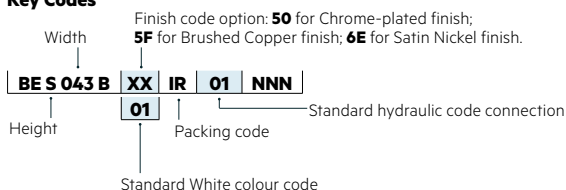
White / Chrome-plated

| Model | Code | Depth P mm | Height H mm | Width L mm | Con. Centre L' mm | Weight Kg | Cap. lt | Thermal Power | | | | Exp. n. | |
|-----------------|-----------------------|---------------|----------------|---------------|----------------------|--------------|------------|--|---------------------------------------|---|---------------------------------------|------------|-------|
| | | | | | | | | $\Delta t=50^{\circ}\text{C}$ Btu/h | $\Delta t=40^{\circ}\text{C}$ Watt | $\Delta t=30^{\circ}\text{C}$ Watt (*) | $\Delta t=20^{\circ}\text{C}$ Watt | | |
| 623 4 rails | BES043 B 01 IR 01 NNN | 32 | 550 | 432 | 400 | 3,2 | 0,9 | 515 | 151 | 113 | 78 | 47 | 1,280 |
| | BES053 B 01 IR 01 NNN | 32 | 550 | 532 | 500 | 3,4 | 1,1 | 585 | 172 | 129 | 90 | 54 | 1,270 |
| | BES063 B 01 IR 01 NNN | 32 | 550 | 632 | 600 | 3,6 | 1,2 | 634 | 186 | 140 | 98 | 59 | 1,261 |
| 948 6 rails | BEP043 B 01 IR 01 NNN | 32 | 875 | 432 | 400 | 4,9 | 1,4 | 696 | 204 | 155 | 109 | 66 | 1,230 |
| | BEP053 B 01 IR 01 NNN | 32 | 875 | 532 | 500 | 5,2 | 1,6 | 790 | 231 | 176 | 123 | 75 | 1,234 |
| | BEP063 B 01 IR 01 NNN | 32 | 875 | 632 | 600 | 5,6 | 1,9 | 852 | 250 | 189 | 133 | 80 | 1,238 |
| 1273 8 rails | BEM043 B 01 IR 01 NNN | 32 | 1200 | 432 | 400 | 6,6 | 1,9 | 878 | 257 | 194 | 134 | 80 | 1,277 |
| | BEM053 B 01 IR 01 NNN | 32 | 1200 | 532 | 500 | 7,1 | 2,2 | 994 | 291 | 219 | 152 | 90 | 1,276 |
| | BEM063 B 01 IR 01 NNN | 32 | 1200 | 632 | 600 | 7,6 | 2,5 | 1073 | 315 | 237 | 164 | 98 | 1,275 |

(*) Thanks to the high performance of Irsap BELLA radiators, the ideal Δt for low temperature projects is Δt at 30°C .

For Δt different from 50°C use the formula: $Q=Q_n (\Delta t / 50)^n$

Key Codes



Detail of the standard series valve in chrome-plated version supplied with BELLA radiators.

