

MILANO WATER WALL TYPE VERSION (PA)

Radiator composed of 25.8 cm diameter steel modules

ORDER EXAMPLE To correctly order this model follow the example specified below:

WALL TYPE VERSION (PA)

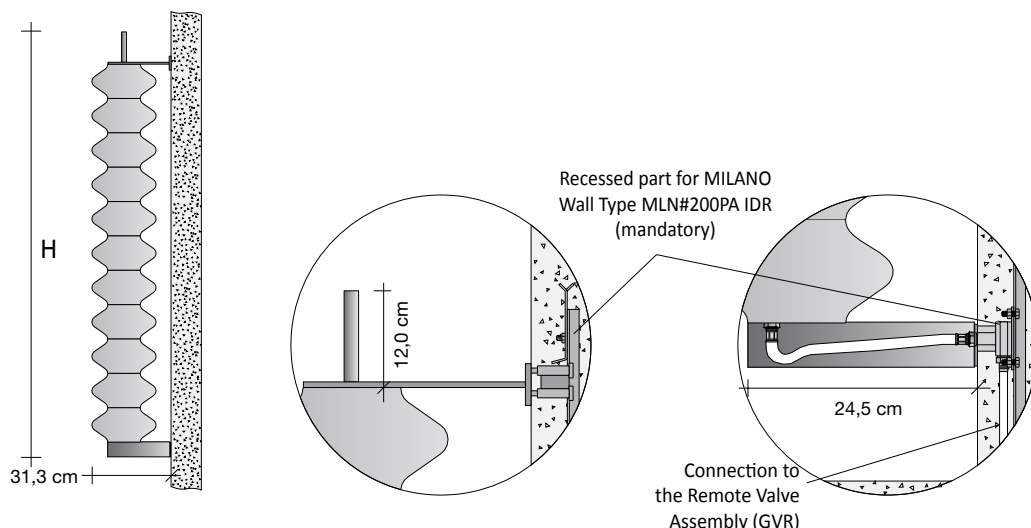
PRODUCT **MLN#200 PA IDR 9010**
 MLN#200PA IDR Article code found in the prices table here below
 9010 Colour code to be checked in the Tubes Colour Chart

ACCESSORIES

Procedures for Recessed parts (mandatory)
 INCMLNPA#IDR200 Recessed part for MILANO Wall Type MLN#200PA IDR (mandatory)

Cod. GVR One way Remote Valve Assembly, CHROME finish
 Cod. GVRC#* One way Remote Valve Assembly, COLOUR finish*

* Specify the color code, e.g.: 9010, after checking the Tubes Colour Chart



WALL TYPE VERSION (PA)

(the prices do not include arrangement for recessing)

Model	H (cm)	L (cm)	Thermal yield Watts ΔT 50°C	Thermal yield Watts ΔT 30°C	Price (€)
MLN#170PAIDR	171,5	31,3	800	422	
MLN#200PAIDR	199,0	31,3	934	494	
MLN#230PAIDR	227,0	31,3	1079	565	

Recessed PART for MILANO Wall Type and Floor type (mandatory)

Includes the wall recessed part for connection to remote valve assembly (GVR) and the support of the external part of Milano

Model	Description	Price (€)
INCMLNBA#IDR	Milano Floor recess	
INCMLNPA#IDR170	Recessed part for MILANO 170 Wall Type (mandatory)	
INCMLNPA#IDR200	Recessed part for MILANO 200 Wall Type (mandatory)	
INCMLNPA#IDR230	Recessed part for MILANO 230 Wall Type (mandatory)	

ADDITIONAL COLOUR CHARGE (see the official Tubes Colour Chart)

Additional colour charges are calculated over the Pure white price (Cat. C0), for the other categories the additional charges herein below are applicable: Category C1 and C2 +15% - C3 Category +25% - RAL not included in the colour chart +30%. According to samples : Request feasibility and cost estimate. Colours not available: GRRC.

REMOTE VALVE ASSEMBLY

Valve and Lockshield assembly for remote connection (GVR), can be installed up to a maximum distance of 6 metres from the radiator.

Connection of Remote Valve Assembly (GVR) to water system

Code	Description	Finishes	Price (€)
GVR#	RECESSED valve and lockshield assembly for remote connection	CHROME	
GVRC#	RECESSED valve and lockshield assembly for remote connection	COLOUR	

MILANO ELECTRIC WALL TYPE VERSION (PA)

Radiator composed of 25.8 cm diameter steel modules



EL

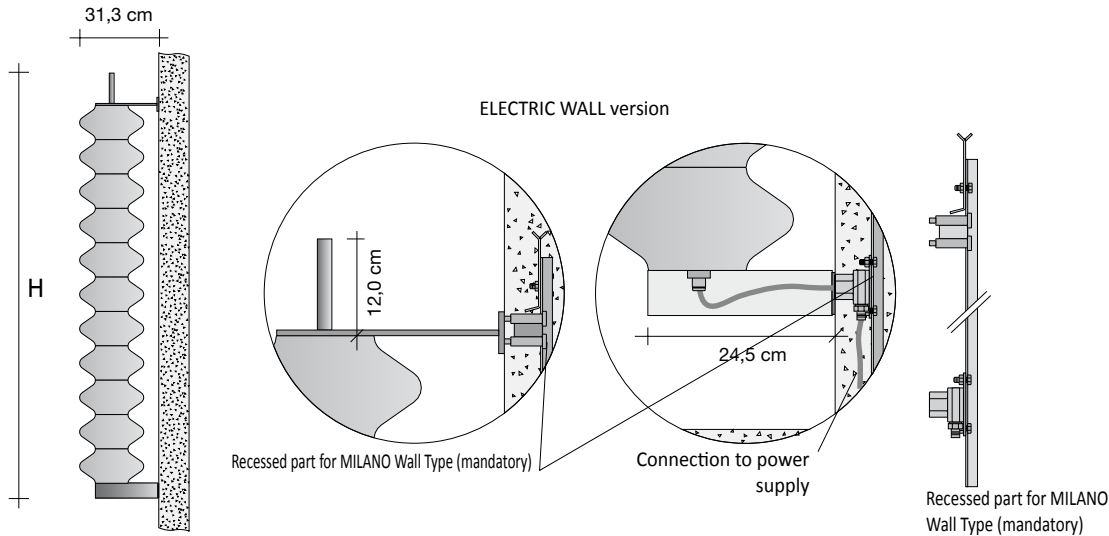
ORDER EXAMPLE To correctly order this model follow the example specified below:

WALL TYPE VERSION (PA)

PRODUCT **MLN2#200 PA ELI 9010**
 MLN2#200PA ELE Article code found in the prices table here below
 9010 Colour code to be checked in the Tubes Colour Chart

ACCESSORIES
 Procedures for Recessed parts (mandatory)
 INCMLNPA#200ELI Recessed part for MILANO Wall Type MLN2#200 PA ELE (mandatory)

ELECTRIC ADJUSTERS (supplied as an accessory)
 ZRF004 Kit with WALL type room thermostat (radio frequency)
 ZRF007 Kit with WALL type room thermostat (radio frequency) with weekly PROGRAMMING



MILANO WALL VERSION

(the prices do not include arrangement for recessing, see table below)

Model	H (cm)	L (cm)	Thermal yield Watts	Price (€)
MLN2#170PAELI	171,5	31,3	800	
MLN2#200PAELI	199,0	31,3	900	
MLN2#230PAELI	227,0	31,3	1000	

Model	Description	Price (€)
INCMLNBA#ELI	Milano Floor recess	
INCMLNPA#ELI170	Recessed part for MILANO 170 Wall Type (mandatory)	
INCMLNPA#ELI200	Recessed part for MILANO 200 Wall Type (mandatory)	
INCMLNPA#ELI230	Recessed part for MILANO 230 Wall Type (mandatory)	

ELECTRIC ADJUSTERS

Electrical setting is via the use of the following thermostats that regulate the room temperature by interacting with up to max 5 radiators.

cod. ZRF007	cod. ZRF004	Code	Description	Price** (€)
		ZRF004*	Kit with WALL type room thermostat (radio frequency)	
		ZRF007*	Kit with WALL type room thermostat (radio frequency) with weekly PROGRAMMING	

** The price of the two kits mentioned above includes the wall box radiofrequency receiver that strictly must be installed.