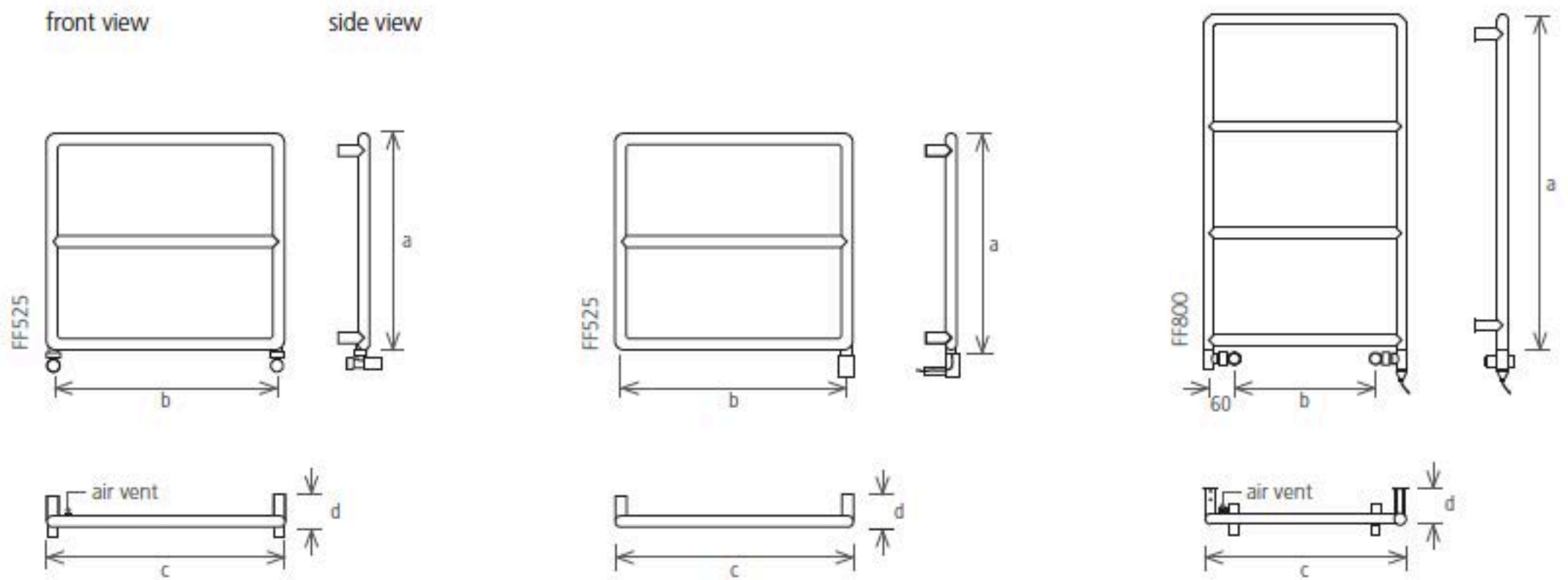


<p>MATERIAL stainless steel</p>	<p>FINISHINGS polished brushed titanium finish *</p>	<p>COMPONENTS version: electric INCLUDED IN THE PRICE Supports Electric element ADD TO PRICE Domotic Touch (optional) Mimoo Switch (optional)</p>	<p>COMPONENTS version: central heating INCLUDED IN THE PRICE Supports Air vent 1/8" ADD TO PRICE Valve kit (optional)</p>	<p>COMPONENTS version: mixed INCLUDED IN THE PRICE Central heating radiator ADD TO PRICE 2 T-pieces; Electric element; Valve kit; Domotic Touch (optional) Mimoo Switch (optional)</p>
--	---	---	---	--

* Available colours: copper; gold. Maximum dimensions must not exceed 1050 x 1050 mm.



top view

version: **central heating**

version: **electric II**

version: **mixed (with element II)**

model	FF525E	FF525L	FF800E	FF800L
height (mm) a	525	525	800	800
width between axles (mm) b	450	500	450	500
total width (mm) c	475	525	475	525
depth (mm) d	100	100	100	100
capacity (l)	0,8	0,8	1,0	1,2
central heating (W)	89	98	126	139
electric (W)	100	100	150	150