

Oxford

Emanating feelings of love and romance, the French-inspired Oxford radiates warmth, in more ways than one. The opulent Oxford antique cast iron radiator has its origins in late 1800's France. This ornate, antique cast iron radiator boasts a smooth sweeping, scalloped top detail with an elaborate interwoven design at the feet. This freestanding, extremely heat efficient antique radiator is perfect for a more extensive period room, barn or warehouse conversion, adding enchantment and delight in abundance.

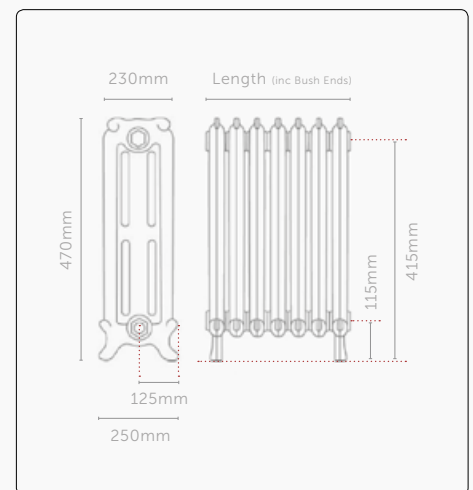
HEIGHT (Please select your required height to view heat output and specifications)

470 570 765

CODE	SECTIONS	LENGTH	OUTPUT		WEIGHT (KG)	WATER CONTENT (LTRs)
			75 / 65 / 20 BTUs	WATTS		
OXF-470-03	3	278	1089	319	25	5.10
OXF-470-04	4	359	1452	426	33	6.80
OXF-470-05	5	440	1815	532	41	8.50
OXF-470-06	6	521	2178	638	49	10.20
OXF-470-07	7	602	2541	745	58	11.90
OXF-470-08	8	684	2904	851	66	13.60
OXF-470-09	9	765	3267	958	74	15.30
OXF-470-10	10	846	3630	1064	82	17.00
OXF-470-11	11	927	3993	1170	91	18.70
OXF-470-12	12	1008	4356	1277	99	20.40
OXF-470-13	13	1090	4719	1383	107	22.10
OXF-470-14	14	1171	5082	1489	115	23.80
OXF-470-15	15	1252	5445	1596	124	25.50
OXF-470-16	16	1333	5808	1702	132	27.20
OXF-470-17	17	1414	6171	1809	140	28.90
OXF-470-18	18	1496	6534	1915	148	30.60
OXF-470-19	19	1577	6897	2021	157	32.30
OXF-470-20	20	1658	7260	2128	165	34.00
OXF-470-21	21	1739	7623	2234	173	35.70
OXF-470-22	22	1820	7986	2341	181	37.40
OXF-470-23	23	1902	8349	2447	189	39.10
OXF-470-24	24	1983	8712	2553	198	40.80
OXF-470-25	25	2064	9075	2660	206	42.50
OXF-470-26	26	2145	9438	2766	214	44.20
OXF-470-27	27	2226	9801	2873	223	45.90
OXF-470-28	28	2308	10164	2979	231	47.60
OXF-470-29	29	2389	10527	3085	239	49.30
OXF-470-30	30	2470	10890	3192	247	51.00
OXF-470-31	31	2551	11253	3298	255	52.70
OXF-470-32	32	2632	11616	3404	264	54.40
OXF-470-33	33	2714	11979	3511	272	56.10
OXF-470-34	34	2795	12342	3617	280	57.80
OXF-470-35	35	2876	12705	3724	288	59.50
OXF-470-36	36	2957	13068	3830	297	61.20
OXF-470-37	37	3038	13431	3936	305	62.90
OXF-470-38	38	3120	13794	4043	313	64.60
OXF-470-39	39	3201	14157	4149	321	66.30
OXF-470-40	40	3282	14520	4256	330	68.00

Maximum test pressure = 3.3 bar | Maximum working pressure = 2.5 bar

Lengths quoted are given in good faith. However, due to the nature of the manufacturing process tolerances can and should be expected. Quoted dimensions should therefore only be used as a guideline. Longer lengths are available on request.



01205 280354

sales@paladinradiators.com

www.paladinradiators.com

Paladin Radiators, Langrick Road,
New York, Lincolnshire LN4 4XH



Oxford

Emanating feelings of love and romance, the French-inspired Oxford radiates warmth, in more ways than one. The opulent Oxford antique cast iron radiator has its origins in late 1800's France. This ornate, antique cast iron radiator boasts a smooth sweeping, scalloped top detail with an elaborate interwoven design at the feet. This freestanding, extremely heat efficient antique radiator is perfect for a more extensive period room, barn or warehouse conversion, adding enchantment and delight in abundance.

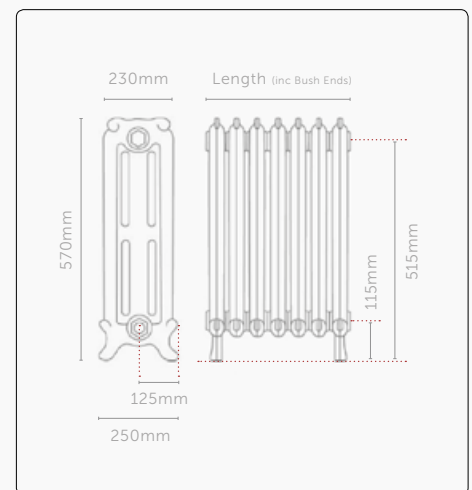
HEIGHT (Please select your required height to view heat output and specifications)

470 **570** 765

CODE	SECTIONS	LENGTH	OUTPUT		WEIGHT (KG)	WATER CONTENT (LTRs)
			75 / 65 / 20 BTUs	WATTS		
OXF-570-03	3	276	1263	370	30	6.30
OXF-570-04	4	357	1684	494	40	8.40
OXF-570-05	5	438	2105	617	50	10.50
OXF-570-06	6	518	2526	740	60	12.60
OXF-570-07	7	599	2947	864	69	14.70
OXF-570-08	8	680	3368	987	79	16.80
OXF-570-09	9	760	3789	1110	89	18.90
OXF-570-10	10	841	4210	1234	99	21.00
OXF-570-11	11	922	4631	1357	109	23.10
OXF-570-12	12	1002	5052	1481	119	25.20
OXF-570-13	13	1083	5473	1604	129	27.30
OXF-570-14	14	1164	5894	1727	139	29.40
OXF-570-15	15	1245	6315	1851	149	31.50
OXF-570-16	16	1325	6736	1974	159	33.60
OXF-570-17	17	1406	7157	2098	169	35.70
OXF-570-18	18	1487	7578	2221	179	37.80
OXF-570-19	19	1567	7999	2344	189	39.90
OXF-570-20	20	1648	8420	2468	198	42.00
OXF-570-21	21	1729	8841	2591	208	44.10
OXF-570-22	22	1809	9262	2715	218	46.20
OXF-570-23	23	1890	9683	2838	228	48.30
OXF-570-24	24	1971	10104	2961	238	50.40
OXF-570-25	25	2052	10525	3085	248	52.50
OXF-570-26	26	2132	10946	3208	258	54.60
OXF-570-27	27	2213	11367	3331	268	56.70
OXF-570-28	28	2293	11788	3455	278	58.80
OXF-570-29	29	2374	12209	3578	288	60.90
OXF-570-30	30	2455	12630	3702	298	63.00
OXF-570-31	31	2536	13051	3825	308	65.10
OXF-570-32	32	2616	13472	3948	317	67.20
OXF-570-33	33	2697	13893	4072	327	69.30
OXF-570-34	34	2778	14314	4195	337	71.40
OXF-570-35	35	2859	14735	4319	347	73.50
OXF-570-36	36	2939	15156	4442	357	75.60
OXF-570-37	37	3020	15577	4565	367	77.70
OXF-570-38	38	3101	15998	4689	377	79.80
OXF-570-39	39	3181	16419	4812	387	81.90
OXF-570-40	40	3262	16840	4936	397	84.00

Maximum test pressure = 3.3 bar | Maximum working pressure = 2.5 bar

Lengths quoted are given in good faith. However, due to the nature of the manufacturing process tolerances can and should be expected. Quoted dimensions should therefore only be used as a guideline. Longer lengths are available on request.



01205 280354

sales@paladinradiators.com

www.paladinradiators.com

Paladin Radiators, Langrick Road,
New York, Lincolnshire LN4 4XH



Oxford

Emanating feelings of love and romance, the French-inspired Oxford radiates warmth, in more ways than one. The opulent Oxford antique cast iron radiator has its origins in late 1800's France. This ornate, antique cast iron radiator boasts a smooth sweeping, scalloped top detail with an elaborate interwoven design at the feet. This freestanding, extremely heat efficient antique radiator is perfect for a more extensive period room, barn or warehouse conversion, adding enchantment and delight in abundance.

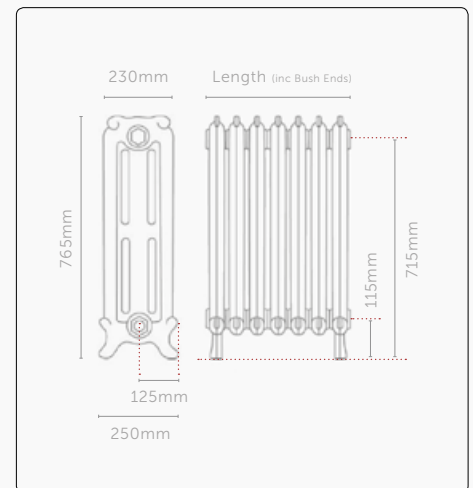
HEIGHT (Please select your required height to view heat output and specifications)

470 570 **765**

CODE	SECTIONS	LENGTH	OUTPUT		WEIGHT (KG)	WATER CONTENT (LTRs)
			75 / 65 / 20 BTUs	WATTS		
OXF-765-03	3	278	1767	518	44	8.10
OXF-765-04	4	359	2356	691	59	10.80
OXF-765-05	5	440	2945	863	74	13.50
OXF-765-06	6	521	3534	1036	89	16.20
OXF-765-07	7	602	4123	1208	103	18.90
OXF-765-08	8	684	4712	1381	118	21.60
OXF-765-09	9	765	5301	1554	133	24.30
OXF-765-10	10	846	5890	1726	148	27.00
OXF-765-11	11	927	6479	1899	162	29.70
OXF-765-12	12	1008	7068	2072	177	32.40
OXF-765-13	13	1090	7657	2244	192	35.10
OXF-765-14	14	1171	8246	2417	207	37.80
OXF-765-15	15	1252	8835	2589	221	40.50
OXF-765-16	16	1333	9424	2762	236	43.20
OXF-765-17	17	1414	10013	2935	251	45.90
OXF-765-18	18	1496	10602	3107	266	48.60
OXF-765-19	19	1577	11191	3280	280	51.30
OXF-765-20	20	1658	11780	3453	295	54.00
OXF-765-21	21	1739	12369	3625	310	56.70
OXF-765-22	22	1820	12958	3798	325	59.40
OXF-765-23	23	1902	13547	3970	340	62.10
OXF-765-24	24	1983	14136	4143	354	64.80
OXF-765-25	25	2064	14725	4316	369	67.50
OXF-765-26	26	2145	15314	4488	384	70.20
OXF-765-27	27	2226	15903	4661	399	72.90
OXF-765-28	28	2308	16492	4834	413	75.60
OXF-765-29	29	2389	17081	5006	428	78.30
OXF-765-30	30	2470	17670	5179	443	81.00
OXF-765-31	31	2551	18259	5351	458	83.70
OXF-765-32	32	2632	18848	5524	472	86.40
OXF-765-33	33	2714	19437	5697	487	89.10
OXF-765-34	34	2795	20026	5869	502	91.80
OXF-765-35	35	2876	20615	6042	517	94.50
OXF-765-36	36	2957	21204	6215	531	97.20
OXF-765-37	37	3038	21793	6387	546	99.90
OXF-765-38	38	3120	22382	6560	561	102.60
OXF-765-39	39	3201	22971	6732	576	105.30
OXF-765-40	40	3282	23560	6905	590	108.00

Maximum test pressure = 3.3 bar | Maximum working pressure = 2.5 bar

Lengths quoted are given in good faith. However, due to the nature of the manufacturing process tolerances can and should be expected. Quoted dimensions should therefore only be used as a guideline. Longer lengths are available on request.



01205 280354

sales@paladinradiators.com

www.paladinradiators.com

Paladin Radiators, Langrick Road,
New York, Lincolnshire LN4 4XH

