

Victoriana

When history should repeat itself, meet the Victoriana – a 19th-century masterpiece. The Victoriana design reins from America in the 1880's. Beautifully simplistic, the Victoriana design could be found in buildings during the late Victorian era. This simple, yet elegant style has been judiciously recreated by Paladin to offer an authentic, traditional cast iron radiator to suit both modern and period homes.

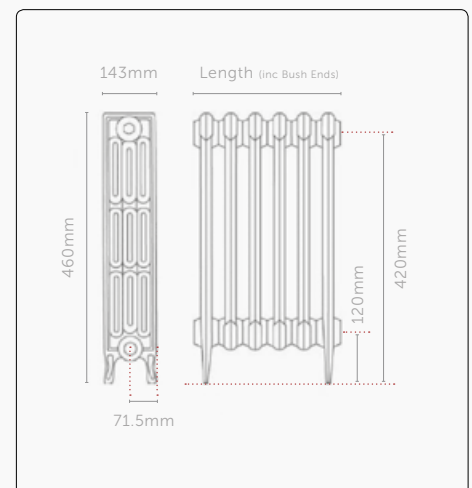
COLUMNS **HEIGHT** (Please select your required height to view heat output and specifications)

3 **4** **460** 660 760 813

CODE	SECTIONS	LENGTH	OUTPUT		WEIGHT (KG)	WATER CONTENT (LTRs)
			75 / 65 / 20 BTUs	WATTS		
VIC4-460-03	3	216	675	198	10	1.50
VIC4-460-04	4	277	900	264	13	2.00
VIC4-460-05	5	338	1125	330	16	2.50
VIC4-460-06	6	398	1350	396	20	3.00
VIC4-460-07	7	459	1575	462	23	3.50
VIC4-460-08	8	520	1800	528	26	4.00
VIC4-460-09	9	580	2025	593	30	4.50
VIC4-460-10	10	641	2250	659	33	5.00
VIC4-460-11	11	702	2475	725	36	5.50
VIC4-460-12	12	762	2700	791	39	6.00
VIC4-460-13	13	823	2925	857	43	6.50
VIC4-460-14	14	884	3150	923	46	7.00
VIC4-460-15	15	945	3375	989	49	7.50
VIC4-460-16	16	1005	3600	1055	53	8.00
VIC4-460-17	17	1066	3825	1121	56	8.50
VIC4-460-18	18	1127	4050	1187	59	9.00
VIC4-460-19	19	1187	4275	1253	62	9.50
VIC4-460-20	20	1248	4500	1319	66	10.00
VIC4-460-21	21	1309	4725	1385	69	10.50
VIC4-460-22	22	1369	4950	1451	72	11.00
VIC4-460-23	23	1430	5175	1517	75	11.50
VIC4-460-24	24	1491	5400	1583	79	12.00
VIC4-460-25	25	1552	5625	1649	82	12.50
VIC4-460-26	26	1612	5850	1715	85	13.00
VIC4-460-27	27	1673	6075	1780	89	13.50
VIC4-460-28	28	1734	6300	1846	92	14.00
VIC4-460-29	29	1794	6525	1912	95	14.50
VIC4-460-30	30	1855	6750	1978	98	15.00
VIC4-460-31	31	1916	6975	2044	102	15.50
VIC4-460-32	32	1976	7200	2110	105	16.00
VIC4-460-33	33	2037	7425	2176	108	16.50
VIC4-460-34	34	2098	7650	2242	112	17.00
VIC4-460-35	35	2159	7875	2308	115	17.50
VIC4-460-36	36	2219	8100	2374	118	18.00
VIC4-460-37	37	2280	8325	2440	121	18.50
VIC4-460-38	38	2341	8550	2506	125	19.00
VIC4-460-39	39	2401	8775	2572	128	19.50
VIC4-460-40	40	2462	9000	2638	131	20.00

Maximum test pressure = 3.3 bar | Maximum working pressure = 2.5 bar

Lengths quoted are given in good faith. However, due to the nature of the manufacturing process tolerances can and should be expected. Quoted dimensions should therefore only be used as a guideline. Longer lengths are available on request.



01205 280354

sales@paladinradiators.com

www.paladinradiators.com

Paladin Radiators, Langrick Road,
New York, Lincolnshire LN4 4XH



Victoriana

When history should repeat itself, meet the Victoriana – a 19th-century masterpiece. The Victoriana design reins from America in the 1880's. Beautifully simplistic, the Victoriana design could be found in buildings during the late Victorian era. This simple, yet elegant style has been judiciously recreated by Paladin to offer an authentic, traditional cast iron radiator to suit both modern and period homes.

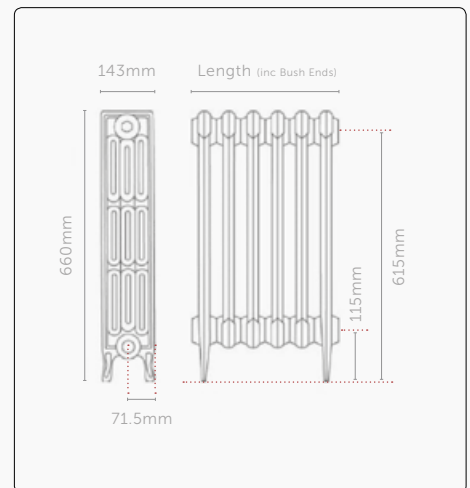
COLUMNS **HEIGHT** (Please select your required height to view heat output and specifications)

3 **4** 460 **660** 760 813

CODE	SECTIONS	LENGTH	OUTPUT		WEIGHT (KG)	WATER CONTENT (LTRs)
			75 / 65 / 20 BTUs	WATTS		
VIC4-660-03	3	219	1020	299	13	1.88
VIC4-660-04	4	281	1360	399	18	2.50
VIC4-660-05	5	343	1700	498	22	3.13
VIC4-660-06	6	405	2040	598	26	3.75
VIC4-660-07	7	467	2380	698	31	4.38
VIC4-660-08	8	528	2720	797	35	5.00
VIC4-660-09	9	590	3060	897	40	5.63
VIC4-660-10	10	652	3400	996	44	6.25
VIC4-660-11	11	714	3740	1096	48	6.88
VIC4-660-12	12	776	4080	1196	53	7.50
VIC4-660-13	13	837	4420	1295	57	8.13
VIC4-660-14	14	899	4760	1395	62	8.75
VIC4-660-15	15	961	5100	1495	66	9.38
VIC4-660-16	16	1023	5440	1594	70	10.00
VIC4-660-17	17	1085	5780	1694	75	10.63
VIC4-660-18	18	1146	6120	1794	79	11.25
VIC4-660-19	19	1208	6460	1893	84	11.88
VIC4-660-20	20	1270	6800	1993	88	12.50
VIC4-660-21	21	1332	7140	2093	92	13.13
VIC4-660-22	22	1394	7480	2192	97	13.75
VIC4-660-23	23	1455	7820	2292	101	14.38
VIC4-660-24	24	1517	8160	2392	106	15.00
VIC4-660-25	25	1579	8500	2491	110	15.63
VIC4-660-26	26	1641	8840	2591	114	16.25
VIC4-660-27	27	1703	9180	2691	119	16.88
VIC4-660-28	28	1764	9520	2790	123	17.50
VIC4-660-29	29	1826	9860	2890	128	18.13
VIC4-660-30	30	1888	10200	2989	132	18.75
VIC4-660-31	31	1950	10540	3089	136	19.38
VIC4-660-32	32	2012	10880	3189	141	20.00
VIC4-660-33	33	2073	11220	3288	145	20.63
VIC4-660-34	34	2135	11560	3388	150	21.25
VIC4-660-35	35	2197	11900	3488	154	21.88
VIC4-660-36	36	2259	12240	3587	158	22.50
VIC4-660-37	37	2321	12580	3687	163	23.13
VIC4-660-38	38	2382	12920	3787	167	23.75
VIC4-660-39	39	2444	13260	3886	172	24.38
VIC4-660-40	40	2506	13600	3986	176	25.00

Maximum test pressure = 3.3 bar | Maximum working pressure = 2.5 bar

Lengths quoted are given in good faith. However, due to the nature of the manufacturing process tolerances can and should be expected. Quoted dimensions should therefore only be used as a guideline. Longer lengths are available on request.



01205 280354

sales@paladinradiators.com

www.paladinradiators.com

Paladin Radiators, Langrick Road,
New York, Lincolnshire LN4 4XH



Victoriana

When history should repeat itself, meet the Victoriana – a 19th-century masterpiece. The Victoriana design reins from America in the 1880's. Beautifully simplistic, the Victoriana design could be found in buildings during the late Victorian era. This simple, yet elegant style has been judiciously recreated by Paladin to offer an authentic, traditional cast iron radiator to suit both modern and period homes.

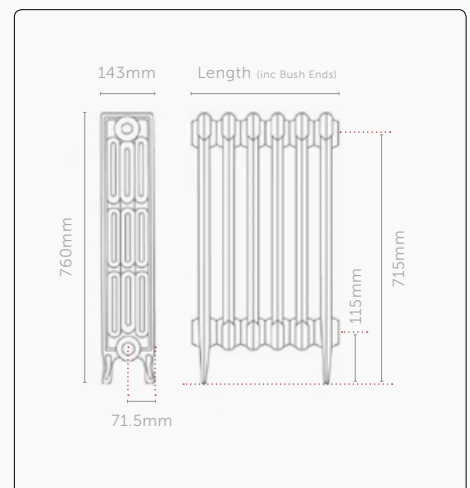
COLUMNS **HEIGHT** (Please select your required height to view heat output and specifications)

3 **4** 460 660 **760** 813

CODE	SECTIONS	LENGTH	OUTPUT		WEIGHT (KG)	WATER CONTENT (LTRs)
			75 / 65 / 20 BTUs	WATTS		
VIC4-760-03	3	217	1275	374	17	2.55
VIC4-760-04	4	278	1700	498	23	3.40
VIC4-760-05	5	340	2125	623	29	4.25
VIC4-760-06	6	401	2550	747	35	5.10
VIC4-760-07	7	462	2975	872	41	5.95
VIC4-760-08	8	523	3400	996	46	6.80
VIC4-760-09	9	584	3825	1121	52	7.65
VIC4-760-10	10	645	4250	1246	58	8.50
VIC4-760-11	11	706	4675	1370	64	9.35
VIC4-760-12	12	767	5100	1495	70	10.20
VIC4-760-13	13	828	5525	1619	75	11.05
VIC4-760-14	14	889	5950	1744	81	11.90
VIC4-760-15	15	951	6375	1868	87	12.75
VIC4-760-16	16	1012	6800	1993	93	13.60
VIC4-760-17	17	1073	7225	2118	99	14.45
VIC4-760-18	18	1134	7650	2242	104	15.30
VIC4-760-19	19	1195	8075	2367	110	16.15
VIC4-760-20	20	1256	8500	2491	116	17.00
VIC4-760-21	21	1317	8925	2616	122	17.85
VIC4-760-22	22	1378	9350	2740	128	18.70
VIC4-760-23	23	1439	9775	2865	133	19.55
VIC4-760-24	24	1500	10200	2989	139	20.40
VIC4-760-25	25	1562	10625	3114	145	21.25
VIC4-760-26	26	1623	11050	3239	151	22.10
VIC4-760-27	27	1684	11475	3363	157	22.95
VIC4-760-28	28	1745	11900	3488	162	23.80
VIC4-760-29	29	1806	12325	3612	168	24.65
VIC4-760-30	30	1867	12750	3737	174	25.50
VIC4-760-31	31	1928	13175	3861	180	26.35
VIC4-760-32	32	1989	13600	3986	186	27.20
VIC4-760-33	33	2050	14025	4110	191	28.05
VIC4-760-34	34	2111	14450	4235	197	28.90
VIC4-760-35	35	2173	14875	4360	203	29.75
VIC4-760-36	36	2234	15300	4484	209	30.60
VIC4-760-37	37	2295	15725	4609	215	31.45
VIC4-760-38	38	2356	16150	4733	220	32.30
VIC4-760-39	39	2417	16575	4858	226	33.15
VIC4-760-40	40	2478	17000	4982	232	34.00

Maximum test pressure = 3.3 bar | Maximum working pressure = 2.5 bar

Lengths quoted are given in good faith. However, due to the nature of the manufacturing process tolerances can and should be expected. Quoted dimensions should therefore only be used as a guideline. Longer lengths are available on request.



01205 280354

sales@paladinradiators.com

www.paladinradiators.com

Paladin Radiators, Langrick Road,
New York, Lincolnshire LN4 4XH



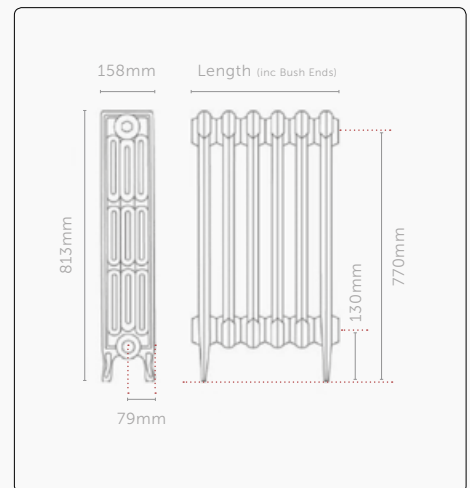
Victoriana

When history should repeat itself, meet the Victoriana – a 19th-century masterpiece. The Victoriana design reins from America in the 1880's. Beautifully simplistic, the Victoriana design could be found in buildings during the late Victorian era. This simple, yet elegant style has been judiciously recreated by Paladin to offer an authentic, traditional cast iron radiator to suit both modern and period homes.

COLUMNS **HEIGHT** (Please select your required height to view heat output and specifications)

3 **4** 460 660 760 **813**

CODE	SECTIONS	LENGTH	OUTPUT		WEIGHT (KG)	WATER CONTENT (LTRs)
			75 / 65 / 20 BTUs	WATTS		
VIC4-813-03	3	214	1350	396	19	2.70
VIC4-813-04	4	274	1800	528	26	3.60
VIC4-813-05	5	335	2250	659	32	4.50
VIC4-813-06	6	395	2700	791	39	5.40
VIC4-813-07	7	455	3150	923	45	6.30
VIC4-813-08	8	515	3600	1055	52	7.20
VIC4-813-09	9	575	4050	1187	58	8.10
VIC4-813-10	10	635	4500	1319	65	9.00
VIC4-813-11	11	695	4950	1451	71	9.90
VIC4-813-12	12	755	5400	1583	78	10.80
VIC4-813-13	13	815	5850	1715	84	11.70
VIC4-813-14	14	875	6300	1846	90	12.60
VIC4-813-15	15	936	6750	1978	97	13.50
VIC4-813-16	16	996	7200	2110	103	14.40
VIC4-813-17	17	1056	7650	2242	110	15.30
VIC4-813-18	18	1116	8100	2374	116	16.20
VIC4-813-19	19	1176	8550	2506	123	17.10
VIC4-813-20	20	1236	9000	2638	129	18.00
VIC4-813-21	21	1296	9450	2770	136	18.90
VIC4-813-22	22	1356	9900	2902	142	19.80
VIC4-813-23	23	1416	10350	3033	149	20.70
VIC4-813-24	24	1476	10800	3165	155	21.60
VIC4-813-25	25	1536	11250	3297	162	22.50
VIC4-813-26	26	1597	11700	3429	168	23.40
VIC4-813-27	27	1657	12150	3561	174	24.30
VIC4-813-28	28	1717	12600	3693	181	25.20
VIC4-813-29	29	1777	13050	3825	187	26.10
VIC4-813-30	30	1837	13500	3957	194	27.00
VIC4-813-31	31	1897	13950	4089	200	27.90
VIC4-813-32	32	1957	14400	4220	207	28.80
VIC4-813-33	33	2017	14850	4352	213	29.70
VIC4-813-34	34	2077	15300	4484	220	30.60
VIC4-813-35	35	2138	15750	4616	226	31.50
VIC4-813-36	36	2198	16200	4748	233	32.40
VIC4-813-37	37	2258	16650	4880	239	33.30
VIC4-813-38	38	2318	17100	5012	246	34.20
VIC4-813-39	39	2378	17550	5144	252	35.10
VIC4-813-40	40	2438	18000	5275	258	36.00



01205 280354

sales@paladinradiators.com

www.paladinradiators.com

Paladin Radiators, Langrick Road,
New York, Lincolnshire LN4 4XH



Maximum test pressure = 3.3 bar | Maximum working pressure = 2.5 bar

Lengths quoted are given in good faith. However, due to the nature of the manufacturing process tolerances can and should be expected. Quoted dimensions should therefore only be used as a guideline. Longer lengths are available on request.