

# Victoriana

When history should repeat itself, meet the Victoriana – a 19th-century masterpiece. The Victoriana design reins from America in the 1880's. Beautifully simplistic, the Victoriana design could be found in buildings during the late Victorian era. This simple, yet elegant style has been judiciously recreated by Paladin to offer an authentic, traditional cast iron radiator to suit both modern and period homes.

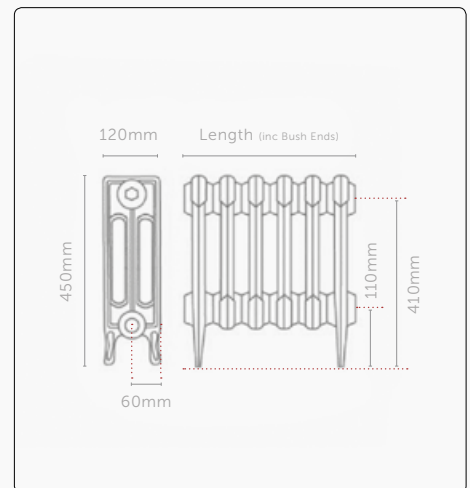
**COLUMNS**      **HEIGHT** (Please select your required height to view heat output and specifications)

**3**   4      **450**   645   745

CODE	SECTIONS	LENGTH	OUTPUT		WEIGHT (KG)	WATER CONTENT (LTRs)
			75 / 65 / 20 BTUs	WATTS		
VIC3-450-03	3	215	822	241	10	1.65
VIC3-450-04	4	275	1096	321	13	2.20
VIC3-450-05	5	335	1370	402	16	2.75
VIC3-450-06	6	395	1644	482	19	3.30
VIC3-450-07	7	455	1918	562	22	3.85
VIC3-450-08	8	516	2192	642	25	4.40
VIC3-450-09	9	576	2466	723	29	4.95
VIC3-450-10	10	636	2740	803	32	5.50
VIC3-450-11	11	696	3014	883	35	6.05
VIC3-450-12	12	756	3288	964	38	6.60
VIC3-450-13	13	817	3562	1044	41	7.15
VIC3-450-14	14	877	3836	1124	45	7.70
VIC3-450-15	15	937	4110	1205	48	8.25
VIC3-450-16	16	997	4384	1285	51	8.80
VIC3-450-17	17	1057	4658	1365	54	9.35
VIC3-450-18	18	1118	4932	1445	57	9.90
VIC3-450-19	19	1178	5206	1526	60	10.45
VIC3-450-20	20	1238	5480	1606	64	11.00
VIC3-450-21	21	1298	5754	1686	67	11.55
VIC3-450-22	22	1358	6028	1767	70	12.10
VIC3-450-23	23	1419	6302	1847	73	12.65
VIC3-450-24	24	1479	6576	1927	76	13.20
VIC3-450-25	25	1539	6850	2008	80	13.75
VIC3-450-26	26	1599	7124	2088	83	14.30
VIC3-450-27	27	1659	7398	2168	86	14.85
VIC3-450-28	28	1720	7672	2249	89	15.40
VIC3-450-29	29	1780	7946	2329	92	15.95
VIC3-450-30	30	1840	8220	2409	95	16.50
VIC3-450-31	31	1900	8494	2489	99	17.05
VIC3-450-32	32	1960	8768	2570	102	17.60
VIC3-450-33	33	2021	9042	2650	105	18.15
VIC3-450-34	34	2081	9316	2730	108	18.70
VIC3-450-35	35	2141	9590	2811	111	19.25
VIC3-450-36	36	2201	9864	2891	115	19.80
VIC3-450-37	37	2261	10138	2971	118	20.35
VIC3-450-38	38	2322	10412	3052	121	20.90
VIC3-450-39	39	2382	10686	3132	124	21.45
VIC3-450-40	40	2442	10960	3212	127	22.00

Maximum test pressure = 3.3 bar | Maximum working pressure = 2.5 bar

Lengths quoted are given in good faith. However, due to the nature of the manufacturing process tolerances can and should be expected. Quoted dimensions should therefore only be used as a guideline. Longer lengths are available on request.



01205 280354

sales@paladinradiators.com

[www.paladinradiators.com](http://www.paladinradiators.com)

Paladin Radiators, Langrick Road,  
New York, Lincolnshire LN4 4XH



# Victoriana

When history should repeat itself, meet the Victoriana – a 19th-century masterpiece. The Victoriana design reins from America in the 1880's. Beautifully simplistic, the Victoriana design could be found in buildings during the late Victorian era. This simple, yet elegant style has been judiciously recreated by Paladin to offer an authentic, traditional cast iron radiator to suit both modern and period homes.

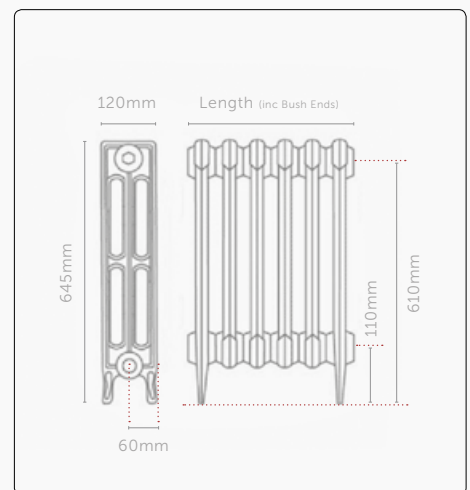
**COLUMNS**      **HEIGHT** (Please select your required height to view heat output and specifications)

**3**   **4**      450   **645**   745

CODE	SECTIONS	LENGTH	OUTPUT		WEIGHT (KG)	WATER CONTENT (LTRs)
			75 / 65 / 20 BTUs	WATTS		
VIC3-645-03	3	215	1095	321	14	2.85
VIC3-645-04	4	276	1460	428	19	3.80
VIC3-645-05	5	336	1825	535	23	4.75
VIC3-645-06	6	396	2190	642	28	5.70
VIC3-645-07	7	457	2555	749	33	6.65
VIC3-645-08	8	517	2920	856	37	7.60
VIC3-645-09	9	578	3285	963	42	8.55
VIC3-645-10	10	638	3650	1070	47	9.50
VIC3-645-11	11	698	4015	1177	51	10.45
VIC3-645-12	12	759	4380	1284	56	11.40
VIC3-645-13	13	819	4745	1391	61	12.35
VIC3-645-14	14	880	5110	1498	65	13.30
VIC3-645-15	15	940	5475	1605	70	14.25
VIC3-645-16	16	1000	5840	1712	75	15.20
VIC3-645-17	17	1061	6205	1819	79	16.15
VIC3-645-18	18	1121	6570	1926	84	17.10
VIC3-645-19	19	1182	6935	2033	89	18.05
VIC3-645-20	20	1242	7300	2140	93	19.00
VIC3-645-21	21	1302	7665	2246	98	19.95
VIC3-645-22	22	1363	8030	2353	103	20.90
VIC3-645-23	23	1423	8395	2460	107	21.85
VIC3-645-24	24	1484	8760	2567	112	22.80
VIC3-645-25	25	1544	9125	2674	117	23.75
VIC3-645-26	26	1604	9490	2781	121	24.70
VIC3-645-27	27	1665	9855	2888	126	25.65
VIC3-645-28	28	1725	10220	2995	131	26.60
VIC3-645-29	29	1786	10585	3102	135	27.55
VIC3-645-30	30	1846	10950	3209	140	28.50
VIC3-645-31	31	1906	11315	3316	145	29.45
VIC3-645-32	32	1967	11680	3423	149	30.40
VIC3-645-33	33	2027	12045	3530	154	31.35
VIC3-645-34	34	2088	12410	3637	158	32.30
VIC3-645-35	35	2148	12775	3744	163	33.25
VIC3-645-36	36	2208	13140	3851	168	34.20
VIC3-645-37	37	2269	13505	3958	172	35.15
VIC3-645-38	38	2329	13870	4065	177	36.10
VIC3-645-39	39	2390	14235	4172	182	37.05
VIC3-645-40	40	2450	14600	4279	186	38.00

Maximum test pressure = 3.3 bar | Maximum working pressure = 2.5 bar

Lengths quoted are given in good faith. However, due to the nature of the manufacturing process tolerances can and should be expected. Quoted dimensions should therefore only be used as a guideline. Longer lengths are available on request.



01205 280354

sales@paladinradiators.com

www.paladinradiators.com

Paladin Radiators, Langrick Road,  
New York, Lincolnshire LN4 4XH



# Victoriana

When history should repeat itself, meet the Victoriana – a 19th-century masterpiece. The Victoriana design reins from America in the 1880's. Beautifully simplistic, the Victoriana design could be found in buildings during the late Victorian era. This simple, yet elegant style has been judiciously recreated by Paladin to offer an authentic, traditional cast iron radiator to suit both modern and period homes.

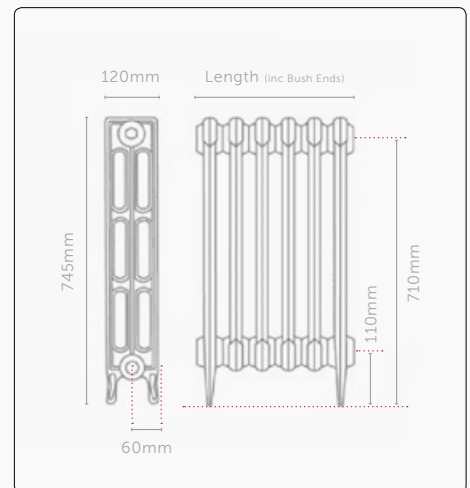
**COLUMNS**      **HEIGHT** (Please select your required height to view heat output and specifications)

**3**   **4**      450   645   **745**

CODE	SECTIONS	LENGTH	OUTPUT		WEIGHT (KG)	WATER CONTENT (LTRs)
			75 / 65 / 20 BTUs	WATTS		
VIC3-745-03	3	218	1230	360	17	3.00
VIC3-745-04	4	280	1640	481	22	4.00
VIC3-745-05	5	341	2050	601	28	5.00
VIC3-745-06	6	402	2460	721	34	6.00
VIC3-745-07	7	464	2870	841	39	7.00
VIC3-745-08	8	525	3280	961	45	8.00
VIC3-745-09	9	587	3690	1081	50	9.00
VIC3-745-10	10	648	4100	1202	56	10.00
VIC3-745-11	11	709	4510	1322	62	11.00
VIC3-745-12	12	771	4920	1442	67	12.00
VIC3-745-13	13	832	5330	1562	73	13.00
VIC3-745-14	14	894	5740	1682	78	14.00
VIC3-745-15	15	955	6150	1802	84	15.00
VIC3-745-16	16	1016	6560	1923	90	16.00
VIC3-745-17	17	1078	6970	2043	95	17.00
VIC3-745-18	18	1139	7380	2163	101	18.00
VIC3-745-19	19	1201	7790	2283	106	19.00
VIC3-745-20	20	1262	8200	2403	112	20.00
VIC3-745-21	21	1323	8610	2523	118	21.00
VIC3-745-22	22	1385	9020	2644	123	22.00
VIC3-745-23	23	1446	9430	2764	129	23.00
VIC3-745-24	24	1508	9840	2884	134	24.00
VIC3-745-25	25	1569	10250	3004	140	25.00
VIC3-745-26	26	1630	10660	3124	146	26.00
VIC3-745-27	27	1692	11070	3244	151	27.00
VIC3-745-28	28	1753	11480	3365	157	28.00
VIC3-745-29	29	1815	11890	3485	162	29.00
VIC3-745-30	30	1876	12300	3605	168	30.00
VIC3-745-31	31	1937	12710	3725	174	31.00
VIC3-745-32	32	1999	13120	3845	179	32.00
VIC3-745-33	33	2060	13530	3965	185	33.00
VIC3-745-34	34	2122	13940	4086	190	34.00
VIC3-745-35	35	2183	14350	4206	196	35.00
VIC3-745-36	36	2244	14760	4326	202	36.00
VIC3-745-37	37	2306	15170	4446	207	37.00
VIC3-745-38	38	2367	15580	4566	213	38.00
VIC3-745-39	39	2429	15990	4686	218	39.00
VIC3-745-40	40	2490	16400	4807	224	40.00

Maximum test pressure = 3.3 bar | Maximum working pressure = 2.5 bar

Lengths quoted are given in good faith. However, due to the nature of the manufacturing process tolerances can and should be expected. Quoted dimensions should therefore only be used as a guideline. Longer lengths are available on request.



01205 280354

sales@paladinradiators.com

[www.paladinradiators.com](http://www.paladinradiators.com)

Paladin Radiators, Langrick Road,  
New York, Lincolnshire LN4 4XH

