

# Piccadilly

A 19th-century Celtic masterpiece that stirs your emotions and oozes intrigue. The Piccadilly is a decorative cast iron radiator that flaunts flowing Celtic ribbons that are intertwined with leaves and crowned with scrolls. Originally manufactured by the American Radiator Company, circa 1880, this magnificent cast iron radiator is often found in churches, due to its distinctive and unusual Celtic design. The Piccadilly cast iron radiator lends itself to our hand-painted highlight effect or our antiqued paint options. The Piccadilly is a stunning complement to both modern and period homes.

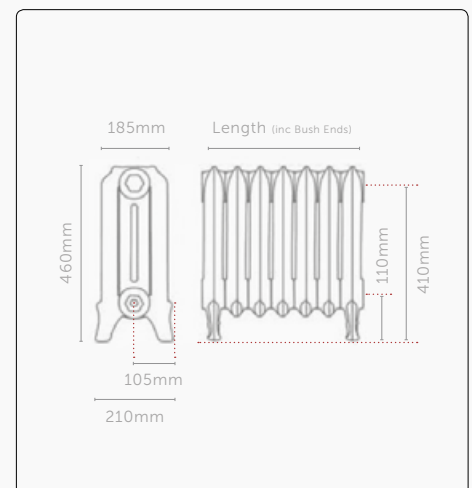
**HEIGHT** (Please select your required height to view heat output and specifications)

**460**   660   760

CODE	SECTIONS	LENGTH	OUTPUT		WEIGHT (KG)	WATER CONTENT (LTRs)
			75 / 65 / 20 BTUs	WATTS		
PIC-460-03	3	249	855	251	19	4.13
PIC-460-04	4	320	1140	334	25	5.50
PIC-460-05	5	392	1425	418	32	6.88
PIC-460-06	6	463	1710	501	38	8.25
PIC-460-07	7	535	1995	585	44	9.63
PIC-460-08	8	606	2280	668	51	11.00
PIC-460-09	9	678	2565	752	57	12.38
PIC-460-10	10	749	2850	835	63	13.75
PIC-460-11	11	821	3135	919	70	15.13
PIC-460-12	12	892	3420	1002	76	16.50
PIC-460-13	13	964	3705	1086	82	17.88
PIC-460-14	14	1035	3990	1169	89	19.25
PIC-460-15	15	1107	4275	1253	95	20.63
PIC-460-16	16	1178	4560	1336	101	22.00
PIC-460-17	17	1250	4845	1420	108	23.38
PIC-460-18	18	1321	5130	1504	114	24.75
PIC-460-19	19	1393	5415	1587	121	26.13
PIC-460-20	20	1464	5700	1671	127	27.50
PIC-460-21	21	1536	5985	1754	133	28.88
PIC-460-22	22	1607	6270	1838	140	30.25
PIC-460-23	23	1679	6555	1921	146	31.63
PIC-460-24	24	1750	6840	2005	152	33.00
PIC-460-25	25	1822	7125	2088	159	34.38
PIC-460-26	26	1893	7410	2172	165	35.75
PIC-460-27	27	1965	7695	2255	171	37.13
PIC-460-28	28	2036	7980	2339	178	38.50
PIC-460-29	29	2108	8265	2422	184	39.88
PIC-460-30	30	2179	8550	2506	190	41.25
PIC-460-31	31	2251	8835	2589	197	42.63
PIC-460-32	32	2322	9120	2673	203	44.00
PIC-460-33	33	2394	9405	2756	209	45.38
PIC-460-34	34	2465	9690	2840	216	46.75
PIC-460-35	35	2537	9975	2924	222	48.13
PIC-460-36	36	2608	10260	3007	228	49.50
PIC-460-37	37	2680	10545	3091	235	50.88
PIC-460-38	38	2751	10830	3174	241	52.25
PIC-460-39	39	2823	11115	3258	247	53.63
PIC-460-40	40	2894	11400	3341	254	55.00

Maximum test pressure = 3.3 bar | Maximum working pressure = 2.5 bar

Lengths quoted are given in good faith. However, due to the nature of the manufacturing process tolerances can and should be expected. Quoted dimensions should therefore only be used as a guideline. Longer lengths are available on request.



01205 280354

sales@paladinradiators.com

[www.paladinradiators.com](http://www.paladinradiators.com)

Paladin Radiators, Langrick Road,  
New York, Lincolnshire LN4 4XH



# Piccadilly

A 19th-century Celtic masterpiece that stirs your emotions and oozes intrigue. The Piccadilly is a decorative cast iron radiator that flaunts flowing Celtic ribbons that are intertwined with leaves and crowned with scrolls. Originally manufactured by the American Radiator Company, circa 1880, this magnificent cast iron radiator is often found in churches, due to its distinctive and unusual Celtic design. The Piccadilly cast iron radiator lends itself to our hand-painted highlight effect or our antiqued paint options. The Piccadilly is a stunning complement to both modern and period homes.

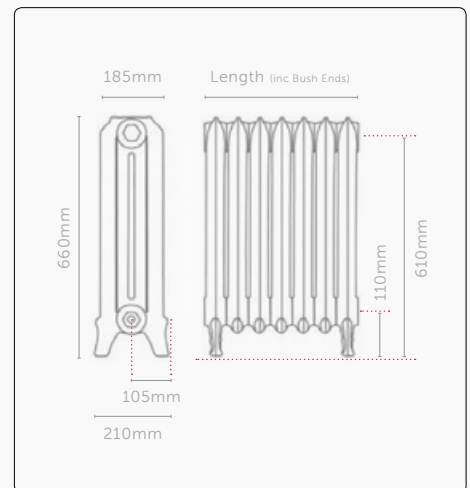
**HEIGHT** (Please select your required height to view heat output and specifications)

460   **660**   760

CODE	SECTIONS	LENGTH	OUTPUT		WEIGHT (KG)	WATER CONTENT (LTRs)
			75 / 65 / 20 BTUs	WATTS		
PIC-660-03	3	247	1065	312	28	7.05
PIC-660-04	4	318	1420	416	38	9.40
PIC-660-05	5	389	1775	520	47	11.75
PIC-660-06	6	460	2130	624	57	14.10
PIC-660-07	7	531	2485	728	66	16.45
PIC-660-08	8	602	2840	832	75	18.80
PIC-660-09	9	673	3195	936	85	21.15
PIC-660-10	10	744	3550	1040	94	23.50
PIC-660-11	11	815	3905	1144	104	25.85
PIC-660-12	12	886	4260	1249	113	28.20
PIC-660-13	13	957	4615	1353	123	30.55
PIC-660-14	14	1028	4970	1457	132	32.90
PIC-660-15	15	1099	5325	1561	141	35.25
PIC-660-16	16	1170	5680	1665	151	37.60
PIC-660-17	17	1241	6035	1769	160	39.95
PIC-660-18	18	1312	6390	1873	170	42.30
PIC-660-19	19	1383	6745	1977	179	44.65
PIC-660-20	20	1454	7100	2081	188	47.00
PIC-660-21	21	1525	7455	2185	198	49.35
PIC-660-22	22	1596	7810	2289	207	51.70
PIC-660-23	23	1667	8165	2393	217	54.05
PIC-660-24	24	1738	8520	2497	226	56.40
PIC-660-25	25	1809	8875	2601	236	58.75
PIC-660-26	26	1880	9230	2705	245	61.10
PIC-660-27	27	1951	9585	2809	254	63.45
PIC-660-28	28	2022	9940	2913	264	65.80
PIC-660-29	29	2093	10295	3017	273	68.15
PIC-660-30	30	2164	10650	3121	283	70.50
PIC-660-31	31	2235	11005	3225	292	72.85
PIC-660-32	32	2306	11360	3329	301	75.20
PIC-660-33	33	2377	11715	3433	311	77.55
PIC-660-34	34	2448	12070	3538	320	79.90
PIC-660-35	35	2519	12425	3642	330	82.25
PIC-660-36	36	2590	12780	3746	339	84.60
PIC-660-37	37	2661	13135	3850	349	86.95
PIC-660-38	38	2732	13490	3954	358	89.30
PIC-660-39	39	2803	13845	4058	367	91.65
PIC-660-40	40	2874	14200	4162	377	94.00

Maximum test pressure = 3.3 bar | Maximum working pressure = 2.5 bar

Lengths quoted are given in good faith. However, due to the nature of the manufacturing process tolerances can and should be expected. Quoted dimensions should therefore only be used as a guideline. Longer lengths are available on request.



01205 280354

sales@paladinradiators.com

[www.paladinradiators.com](http://www.paladinradiators.com)

Paladin Radiators, Langrick Road,  
New York, Lincolnshire LN4 4XH



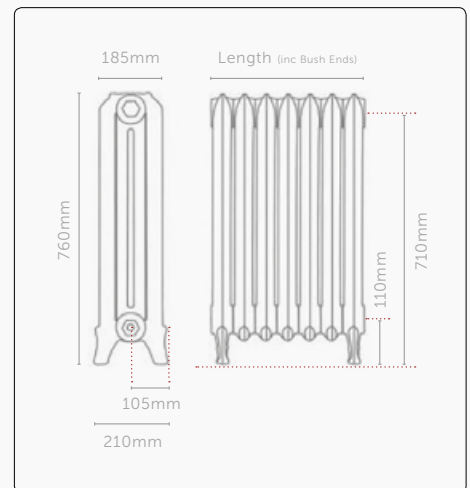
# Piccadilly

A 19th-century Celtic masterpiece that stirs your emotions and oozes intrigue. The Piccadilly is a decorative cast iron radiator that flaunts flowing Celtic ribbons that are intertwined with leaves and crowned with scrolls. Originally manufactured by the American Radiator Company, circa 1880, this magnificent cast iron radiator is often found in churches, due to its distinctive and unusual Celtic design. The Piccadilly cast iron radiator lends itself to our hand-painted highlight effect or our antiqued paint options. The Piccadilly is a stunning complement to both modern and period homes.

**HEIGHT** (Please select your required height to view heat output and specifications)

460   660   **760**

CODE	SECTIONS	LENGTH	OUTPUT		WEIGHT (KG)	WATER CONTENT (LTRs)
			75 / 65 / 20 BTUs	WATTS		
PIC-760-03	3	247	1335	391	31	7.20
PIC-760-04	4	318	1780	522	41	9.60
PIC-760-05	5	389	2225	652	52	12.00
PIC-760-06	6	460	2670	783	62	14.40
PIC-760-07	7	531	3115	913	72	16.80
PIC-760-08	8	602	3560	1043	83	19.20
PIC-760-09	9	673	4005	1174	93	21.60
PIC-760-10	10	744	4450	1304	103	24.00
PIC-760-11	11	815	4895	1435	114	26.40
PIC-760-12	12	886	5340	1565	124	28.80
PIC-760-13	13	957	5785	1695	134	31.20
PIC-760-14	14	1028	6230	1826	145	33.60
PIC-760-15	15	1099	6675	1956	155	36.00
PIC-760-16	16	1170	7120	2087	165	38.40
PIC-760-17	17	1241	7565	2217	175	40.80
PIC-760-18	18	1312	8010	2348	186	43.20
PIC-760-19	19	1383	8455	2478	196	45.60
PIC-760-20	20	1454	8900	2608	206	48.00
PIC-760-21	21	1525	9345	2739	217	50.40
PIC-760-22	22	1596	9790	2869	227	52.80
PIC-760-23	23	1667	10235	3000	237	55.20
PIC-760-24	24	1738	10680	3130	248	57.60
PIC-760-25	25	1809	11125	3261	258	60.00
PIC-760-26	26	1880	11570	3391	268	62.40
PIC-760-27	27	1951	12015	3521	279	64.80
PIC-760-28	28	2022	12460	3652	289	67.20
PIC-760-29	29	2093	12905	3782	299	69.60
PIC-760-30	30	2164	13350	3913	310	72.00
PIC-760-31	31	2235	13795	4043	320	74.40
PIC-760-32	32	2306	14240	4174	330	76.80
PIC-760-33	33	2377	14685	4304	341	79.20
PIC-760-34	34	2448	15130	4434	351	81.60
PIC-760-35	35	2519	15575	4565	361	84.00
PIC-760-36	36	2590	16020	4695	372	86.40
PIC-760-37	37	2661	16465	4826	382	88.80
PIC-760-38	38	2732	16910	4956	392	91.20
PIC-760-39	39	2803	17355	5086	403	93.60
PIC-760-40	40	2874	17800	5217	413	96.00



01205 280354

sales@paladinradiators.com

[www.paladinradiators.com](http://www.paladinradiators.com)

Paladin Radiators, Langrick Road,  
New York, Lincolnshire LN4 4XH



Maximum test pressure = 3.3 bar | Maximum working pressure = 2.5 bar

Lengths quoted are given in good faith. However, due to the nature of the manufacturing process tolerances can and should be expected. Quoted dimensions should therefore only be used as a guideline. Longer lengths are available on request.