

Neo Georgian

“Simplicity is the ultimate sophistication”, Leonardo Da Vinci”. The stylish but straightforward Neo Georgian column cast iron radiator echoes back to the era of the early 1900s. The classic clean lines of this elegant design mean that it is well suited for either the modern or period home setting. With options of 2, 4 and even 6 column depths, the heat output per section is substantial. With its clean and elegant design, The Neo Georgian column cast iron radiator is a popular choice for homes that were built during the Arts and Crafts era, which influenced Britain until the 1930s.

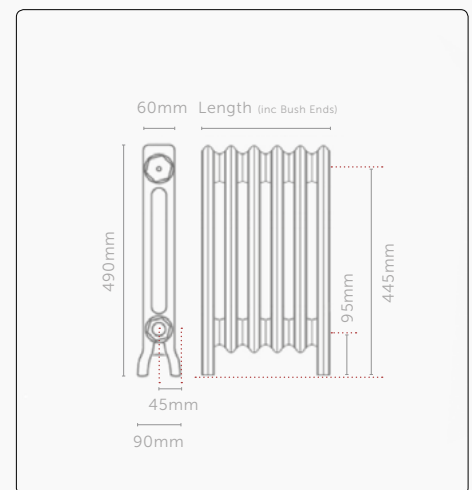
COLUMNS **HEIGHT** (Please select your required height to view heat output and specifications)

2 **4** **6** **490** 640 740 1040

CODE	SECTIONS	LENGTH	OUTPUT		WEIGHT (KG)	WATER CONTENT (LTRs)
			75 / 65 / 20 BTUs	WATTS		
GEO2-490-03	3	208	420	123	8	1.08
GEO2-490-04	4	269	560	164	10	1.44
GEO2-490-05	5	330	699	205	13	1.80
GEO2-490-06	6	391	839	246	16	2.16
GEO2-490-07	7	452	979	287	18	2.52
GEO2-490-08	8	512	1119	328	21	2.88
GEO2-490-09	9	573	1259	369	23	3.24
GEO2-490-10	10	634	1399	410	26	3.60
GEO2-490-11	11	695	1539	451	29	3.96
GEO2-490-12	12	756	1679	492	31	4.32
GEO2-490-13	13	816	1819	533	34	4.68
GEO2-490-14	14	877	1958	574	36	5.04
GEO2-490-15	15	938	2098	615	39	5.40
GEO2-490-16	16	999	2238	656	42	5.76
GEO2-490-17	17	1060	2378	697	44	6.12
GEO2-490-18	18	1120	2518	738	47	6.48
GEO2-490-19	19	1181	2658	779	49	6.84
GEO2-490-20	20	1242	2798	820	52	7.20
GEO2-490-21	21	1303	2938	861	55	7.56
GEO2-490-22	22	1364	3078	902	57	7.92
GEO2-490-23	23	1424	3218	943	60	8.28
GEO2-490-24	24	1485	3357	984	62	8.64
GEO2-490-25	25	1546	3497	1025	65	9.00
GEO2-490-26	26	1607	3637	1066	68	9.36
GEO2-490-27	27	1668	3777	1107	70	9.72
GEO2-490-28	28	1728	3917	1148	73	10.08
GEO2-490-29	29	1789	4057	1189	75	10.44
GEO2-490-30	30	1850	4197	1230	78	10.80
GEO2-490-31	31	1911	4337	1271	81	11.16
GEO2-490-32	32	1972	4477	1312	83	11.52
GEO2-490-33	33	2032	4616	1353	86	11.88
GEO2-490-34	34	2093	4756	1394	88	12.24
GEO2-490-35	35	2154	4896	1435	91	12.60
GEO2-490-36	36	2215	5036	1476	94	12.96
GEO2-490-37	37	2276	5176	1517	96	13.32
GEO2-490-38	38	2336	5316	1558	99	13.68
GEO2-490-39	39	2397	5456	1599	101	14.04
GEO2-490-40	40	2458	5596	1640	104	14.40

Maximum test pressure = 7.8 bar | Maximum working pressure = 6.0 bar

Lengths quoted are given in good faith. However, due to the nature of the manufacturing process tolerances can and should be expected. Quoted dimensions should therefore only be used as a guideline. Longer lengths are available on request.



01205 280354

sales@paladinradiators.com

www.paladinradiators.com

Paladin Radiators, Langrick Road,
New York, Lincolnshire LN4 4XH



Neo Georgian

“Simplicity is the ultimate sophistication”, Leonardo Da Vinci”. The stylish but straightforward Neo Georgian column cast iron radiator echoes back to the era of the early 1900s. The classic clean lines of this elegant design mean that it is well suited for either the modern or period home setting. With options of 2, 4 and even 6 column depths, the heat output per section is substantial. With its clean and elegant design, The Neo Georgian column cast iron radiator is a popular choice for homes that were built during the Arts and Crafts era, which influenced Britain until the 1930s.

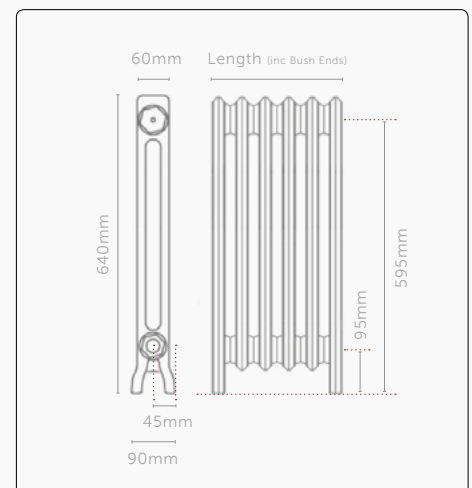
COLUMNS **HEIGHT** (Please select your required height to view heat output and specifications)

2 **4** **6** 490 **640** 740 1040

CODE	SECTIONS	LENGTH	OUTPUT		WEIGHT (KG)	WATER CONTENT (LTRs)
			75 / 65 / 20 BTUs	WATTS		
GEO2-640-03	3	208	471	138	10	1.44
GEO2-640-04	4	269	628	184	14	1.92
GEO2-640-05	5	330	785	230	17	2.40
GEO2-640-06	6	391	942	276	21	2.88
GEO2-640-07	7	452	1099	322	24	3.36
GEO2-640-08	8	512	1256	368	27	3.84
GEO2-640-09	9	573	1413	414	31	4.32
GEO2-640-10	10	634	1570	460	34	4.80
GEO2-640-11	11	695	1726	506	38	5.28
GEO2-640-12	12	756	1883	552	41	5.76
GEO2-640-13	13	816	2040	598	44	6.24
GEO2-640-14	14	877	2197	644	48	6.72
GEO2-640-15	15	938	2354	690	51	7.20
GEO2-640-16	16	999	2511	736	55	7.68
GEO2-640-17	17	1060	2668	782	58	8.16
GEO2-640-18	18	1120	2825	828	61	8.64
GEO2-640-19	19	1181	2982	874	65	9.12
GEO2-640-20	20	1242	3139	920	68	9.60
GEO2-640-21	21	1303	3296	966	72	10.08
GEO2-640-22	22	1364	3453	1012	75	10.56
GEO2-640-23	23	1424	3610	1058	78	11.04
GEO2-640-24	24	1485	3767	1104	82	11.52
GEO2-640-25	25	1546	3924	1150	85	12.00
GEO2-640-26	26	1607	4081	1196	89	12.48
GEO2-640-27	27	1668	4238	1242	92	12.96
GEO2-640-28	28	1728	4395	1288	96	13.44
GEO2-640-29	29	1789	4552	1334	99	13.92
GEO2-640-30	30	1850	4709	1380	102	14.40
GEO2-640-31	31	1911	4866	1426	106	14.88
GEO2-640-32	32	1972	5022	1472	109	15.36
GEO2-640-33	33	2032	5179	1518	113	15.84
GEO2-640-34	34	2093	5336	1564	116	16.32
GEO2-640-35	35	2154	5493	1610	119	16.80
GEO2-640-36	36	2215	5650	1656	123	17.28
GEO2-640-37	37	2276	5807	1702	126	17.76
GEO2-640-38	38	2336	5964	1748	130	18.24
GEO2-640-39	39	2397	6121	1794	133	18.72
GEO2-640-40	40	2458	6278	1840	136	19.20

Maximum test pressure = 7.8 bar | Maximum working pressure = 6.0 bar

Lengths quoted are given in good faith. However, due to the nature of the manufacturing process tolerances can and should be expected. Quoted dimensions should therefore only be used as a guideline. Longer lengths are available on request.



01205 280354

sales@paladinradiators.com

www.paladinradiators.com

Paladin Radiators, Langrick Road,
New York, Lincolnshire LN4 4XH



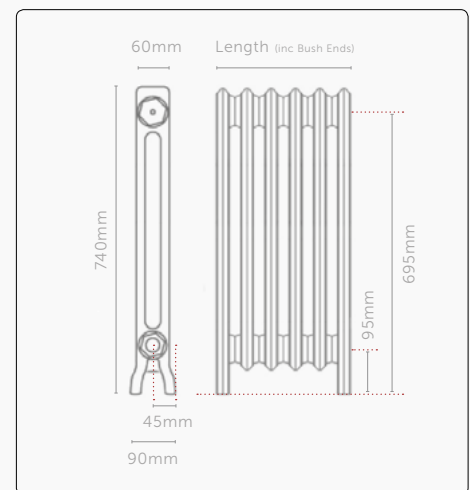
Neo Georgian

“Simplicity is the ultimate sophistication”, Leonardo Da Vinci”. The stylish but straightforward Neo Georgian column cast iron radiator echoes back to the era of the early 1900s. The classic clean lines of this elegant design mean that it is well suited for either the modern or period home setting. With options of 2, 4 and even 6 column depths, the heat output per section is substantial. With its clean and elegant design, The Neo Georgian column cast iron radiator is a popular choice for homes that were built during the Arts and Crafts era, which influenced Britain until the 1930s.

COLUMNS **HEIGHT** (Please select your required height to view heat output and specifications)

2 **4** **6** **490** **640** **740** **1040**

CODE	SECTIONS	LENGTH	OUTPUT		WEIGHT (KG)	WATER CONTENT (LTRs)
			75 / 65 / 20 BTUs	WATTS		
GEO2-740-03	3	208	635	186	12	1.68
GEO2-740-04	4	269	846	248	15	2.24
GEO2-740-05	5	330	1058	310	19	2.80
GEO2-740-06	6	391	1269	372	23	3.36
GEO2-740-07	7	452	1481	434	27	3.92
GEO2-740-08	8	512	1692	496	31	4.48
GEO2-740-09	9	573	1904	558	34	5.04
GEO2-740-10	10	634	2115	620	38	5.60
GEO2-740-11	11	695	2327	682	42	6.16
GEO2-740-12	12	756	2539	744	46	6.72
GEO2-740-13	13	816	2750	806	50	7.28
GEO2-740-14	14	877	2962	868	54	7.84
GEO2-740-15	15	938	3173	930	57	8.40
GEO2-740-16	16	999	3385	992	61	8.96
GEO2-740-17	17	1060	3596	1054	65	9.52
GEO2-740-18	18	1120	3808	1116	69	10.08
GEO2-740-19	19	1181	4019	1178	73	10.64
GEO2-740-20	20	1242	4231	1240	76	11.20
GEO2-740-21	21	1303	4442	1302	80	11.76
GEO2-740-22	22	1364	4654	1364	84	12.32
GEO2-740-23	23	1424	4866	1426	88	12.88
GEO2-740-24	24	1485	5077	1488	92	13.44
GEO2-740-25	25	1546	5289	1550	96	14.00
GEO2-740-26	26	1607	5500	1612	99	14.56
GEO2-740-27	27	1668	5712	1674	103	15.12
GEO2-740-28	28	1728	5923	1736	107	15.68
GEO2-740-29	29	1789	6135	1798	111	16.24
GEO2-740-30	30	1850	6346	1860	115	16.80
GEO2-740-31	31	1911	6558	1922	118	17.36
GEO2-740-32	32	1972	6769	1984	122	17.92
GEO2-740-33	33	2032	6981	2046	126	18.48
GEO2-740-34	34	2093	7192	2108	130	19.04
GEO2-740-35	35	2154	7404	2170	134	19.60
GEO2-740-36	36	2215	7616	2232	138	20.16
GEO2-740-37	37	2276	7827	2294	141	20.72
GEO2-740-38	38	2336	8039	2356	145	21.28
GEO2-740-39	39	2397	8250	2418	149	21.84
GEO2-740-40	40	2458	8462	2480	153	22.40



01205 280354

sales@paladinradiators.com

www.paladinradiators.com

Paladin Radiators, Langrick Road,
New York, Lincolnshire LN4 4XH

Maximum test pressure = 7.8 bar | Maximum working pressure = 6.0 bar

Lengths quoted are given in good faith. However, due to the nature of the manufacturing process tolerances can and should be expected. Quoted dimensions should therefore only be used as a guideline. Longer lengths are available on request.



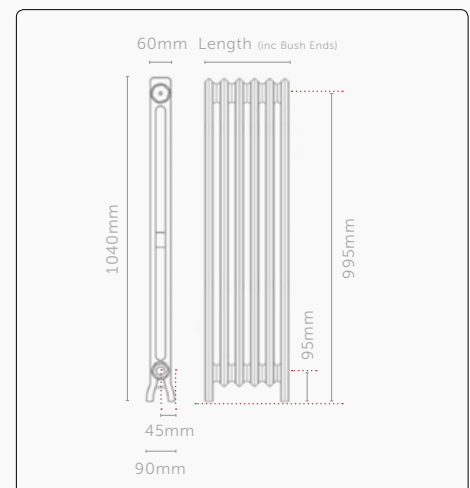
Neo Georgian

“Simplicity is the ultimate sophistication”, Leonardo Da Vinci”. The stylish but straightforward Neo Georgian column cast iron radiator echoes back to the era of the early 1900s. The classic clean lines of this elegant design mean that it is well suited for either the modern or period home setting. With options of 2, 4 and even 6 column depths, the heat output per section is substantial. With its clean and elegant design, The Neo Georgian column cast iron radiator is a popular choice for homes that were built during the Arts and Crafts era, which influenced Britain until the 1930s.

COLUMNS **HEIGHT** (Please select your required height to view heat output and specifications)

2 **4** **6** 490 640 740 **1040**

CODE	SECTIONS	LENGTH	OUTPUT		WEIGHT (KG)	WATER CONTENT (LTRs)
			75 / 65 / 20 BTUs	WATTS		
GEO2-1040-03	3	208	757	222	16	2.40
GEO2-1040-04	4	269	1010	296	21	3.20
GEO2-1040-05	5	330	1262	370	26	4.00
GEO2-1040-06	6	391	1515	444	31	4.80
GEO2-1040-07	7	452	1767	518	36	5.60
GEO2-1040-08	8	512	2020	592	41	6.40
GEO2-1040-09	9	573	2272	666	46	7.20
GEO2-1040-10	10	634	2525	740	52	8.00
GEO2-1040-11	11	695	2777	814	57	8.80
GEO2-1040-12	12	756	3030	888	62	9.60
GEO2-1040-13	13	816	3282	962	67	10.40
GEO2-1040-14	14	877	3535	1036	72	11.20
GEO2-1040-15	15	938	378	111	77	12.00
GEO2-1040-16	16	999	4040	1184	82	12.80
GEO2-1040-17	17	1060	4292	1258	88	13.60
GEO2-1040-18	18	1120	4545	1332	93	14.40
GEO2-1040-19	19	1181	4797	1406	98	15.20
GEO2-1040-20	20	1242	5050	1480	103	16.00
GEO2-1040-21	21	1303	5302	1554	108	16.80
GEO2-1040-22	22	1364	5555	1628	113	17.60
GEO2-1040-23	23	1424	5807	1702	119	18.40
GEO2-1040-24	24	1485	6060	1776	124	19.20
GEO2-1040-25	25	1546	6312	1850	129	20.00
GEO2-1040-26	26	1607	6565	1924	134	20.80
GEO2-1040-27	27	1668	6817	1998	139	21.60
GEO2-1040-28	28	1728	7070	2072	144	22.40
GEO2-1040-29	29	1789	7322	2146	149	23.20
GEO2-1040-30	30	1850	7575	2220	155	24.00
GEO2-1040-31	31	1911	7827	2294	160	24.80
GEO2-1040-32	32	1972	8080	2368	165	25.60
GEO2-1040-33	33	2032	8332	2442	170	26.40
GEO2-1040-34	34	2093	8585	2516	175	27.20
GEO2-1040-35	35	2154	8837	2590	180	28.00
GEO2-1040-36	36	2215	9090	2664	185	28.80
GEO2-1040-37	37	2276	9342	2738	191	29.60
GEO2-1040-38	38	2336	9595	2812	196	30.40
GEO2-1040-39	39	2397	9847	2886	201	31.20
GEO2-1040-40	40	2458	10100	2960	206	32.00



01205 280354

sales@paladinradiators.com

www.paladinradiators.com

Paladin Radiators, Langrick Road,
New York, Lincolnshire LN4 4XH

Maximum test pressure = 7.8 bar | Maximum working pressure = 6.0 bar

Lengths quoted are given in good faith. However, due to the nature of the manufacturing process tolerances can and should be expected. Quoted dimensions should therefore only be used as a guideline. Longer lengths are available on request.

