

Bart



Radiator

Free standing Bart 640 ↑ x 852 ↔ LP, colour: autumn

Valves and accessories

Angled regulating valve set Minimalist, chrome, TGZRCR017

Pipe cover and shroud set – 160 mm, chrome, TGPCR004

Bart



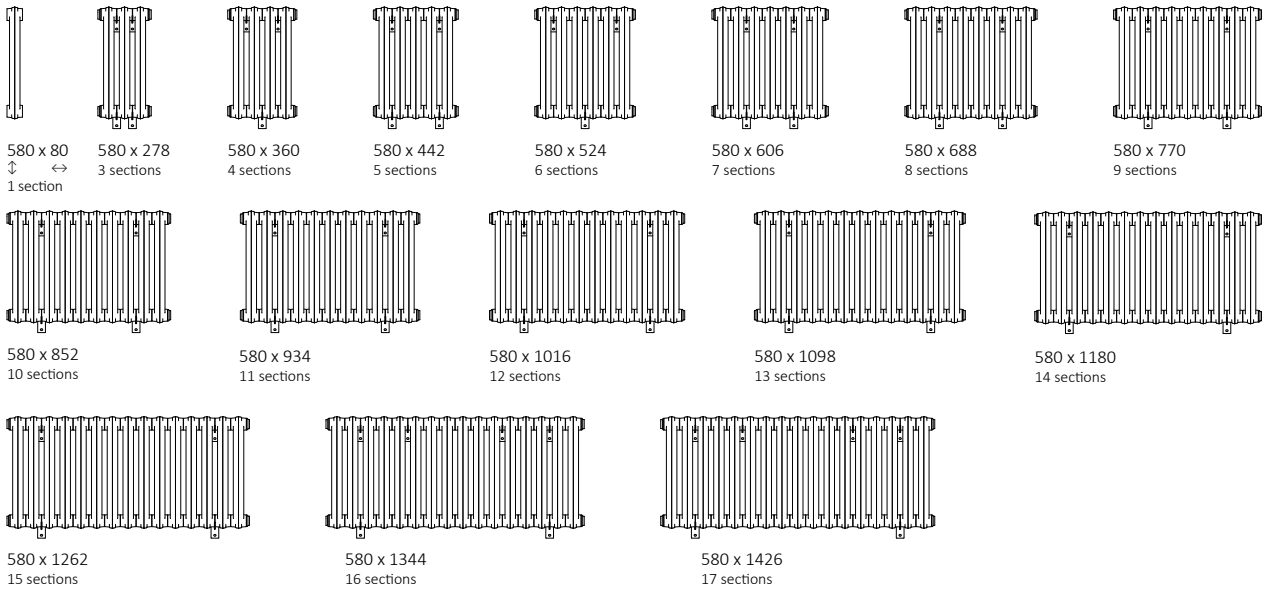


Standard connections:

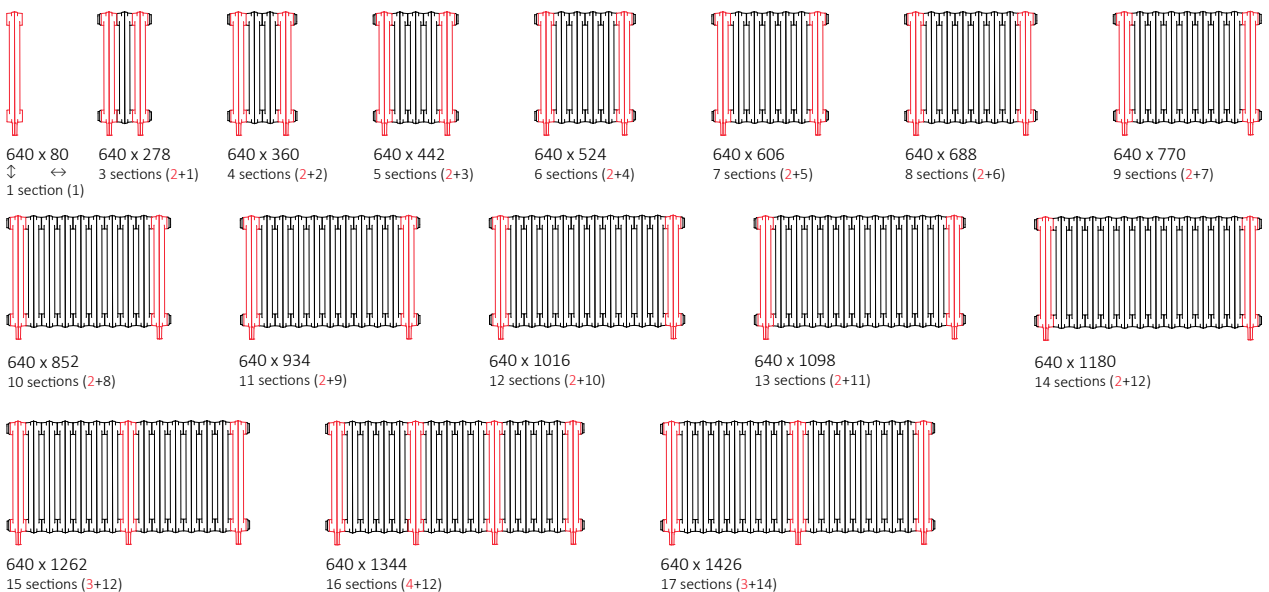


Available sizes:

Wall mounted



Free standing





Specifications:

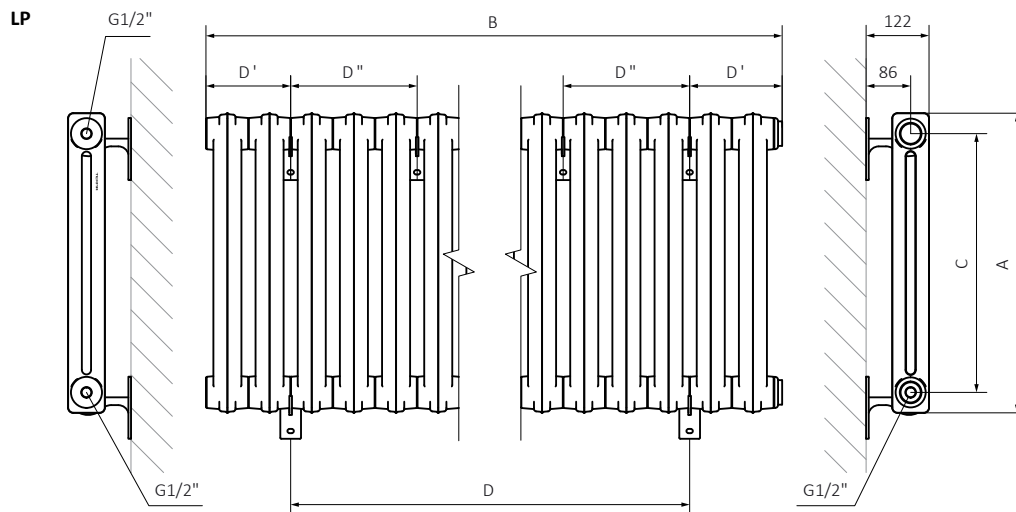
Working pressure: 1000 kPa Maximum operating temperature: 95°C

A ↓ [mm]	B ↔ [mm]	C1 [mm]	75/65/20°C [W]	55/45/20°C [W]	D [mm]	D1 [mm]	D2 [mm]	H [dm³]	 [kg]	Product code <small>(Configuration code p. 6)</small>
Wall mounted										
580	80	500	73	39	—	—	—	0,68	4,6	WGBRB058008
580	278	500	218	116	82	98	—	2,04	15,1	WGBRB058027
580	360	500	291	154	—	98	—	2,72	19,9	WGBRB058036
580	442	500	364	193	246	98	—	3,4	24,7	WGBRB058044
580	524	500	436	232	—	98	—	4,08	29,5	WGBRB058052
580	606	500	509	270	410	180	—	4,76	34,3	WGBRB058060
580	688	500	582	309	492	180	—	5,44	39,1	WGBRB058068
580	770	500	654	347	410	180	—	6,12	43,9	WGBRB058077
580	852	500	727	386	492	180	—	6,8	48,7	WGBRB058085
580	934	500	800	425	574	180	—	7,48	53,5	WGBRB058093
580	1016	500	872	463	656	180	—	8,16	58,3	WGBRB058101
580	1098	500	945	502	738	180	—	8,84	63,1	WGBRB058109
580	1180	500	1018	540	820	180	—	9,52	67,9	WGBRB058118
580	1262	500	1091	579	902	180	—	10,2	72,7	WGBRB058126
580	1344	500	1163	618	984	180	246	10,88	77,5	WGBRB058134
580	1426	500	1236	656	1066	180	246	11,56	82,3	WGBRB058142
Free standing										
640	80	500	73	39	—	—	—	0,68	5	WGBRF064008
640	278	500	218	116	—	—	—	2,04	15,9	WGBRF064027
640	360	500	291	154	—	—	—	2,72	20,7	WGBRF064036
640	442	500	364	193	—	—	—	3,4	25,5	WGBRF064044
640	524	500	436	232	—	—	—	4,08	30,3	WGBRF064052
640	606	500	509	270	—	—	—	4,76	35,1	WGBRF064060
640	688	500	582	309	—	—	—	5,44	39,9	WGBRF064068
640	770	500	654	347	—	—	—	6,12	44,7	WGBRF064077
640	852	500	727	386	—	—	—	6,8	49,5	WGBRF064085
640	934	500	800	425	—	—	—	7,48	49,3	WGBRF064093
640	1016	500	872	463	—	—	—	8,16	59,1	WGBRF064101
640	1098	500	945	502	—	—	—	8,84	63,9	WGBRF064109
640	1180	500	1018	540	—	—	—	9,52	68,7	WGBRF064118
640	1262	500	1091	579	—	—	—	10,2	73,9	WGBRF064126
640	1344	500	1163	618	—	—	—	10,88	79,1	WGBRF064134
640	1426	500	1236	656	—	—	—	11,56	83,5	WGBRF064142

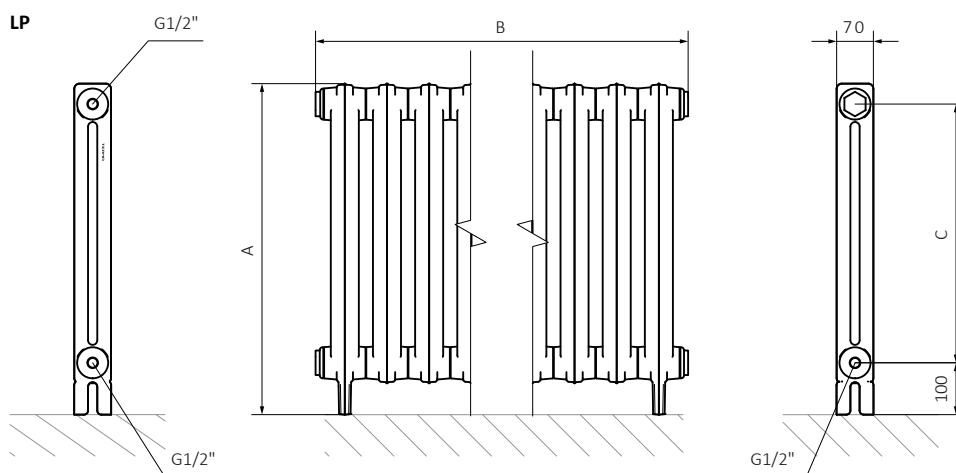
Radiators made up of 13 sections and more are delivered in two or more batteries.



Wall mounted



Free standing



A – Height B – Width C – Distance between pipe centres D – Horizontal distance between mounting bracket centres



Structure of configuration code for water and dual fuel radiators

Product codes can be found in product data sheet tables. The codes provide some basic information about the product while a partially filled configuration code contains complementary information about the detailed specifications. When placing an order, product codes should include the fully completed configuration part. The configuration code part should be placed after the main product code. The main product code and configuration part will appear as shown in the example below:

Code structure

WGBRF064085

PRODUCT CODE
(located in the table for the product)

L916LP

CONFIGURATION CODE
(supplemented by hand)

Configuration

