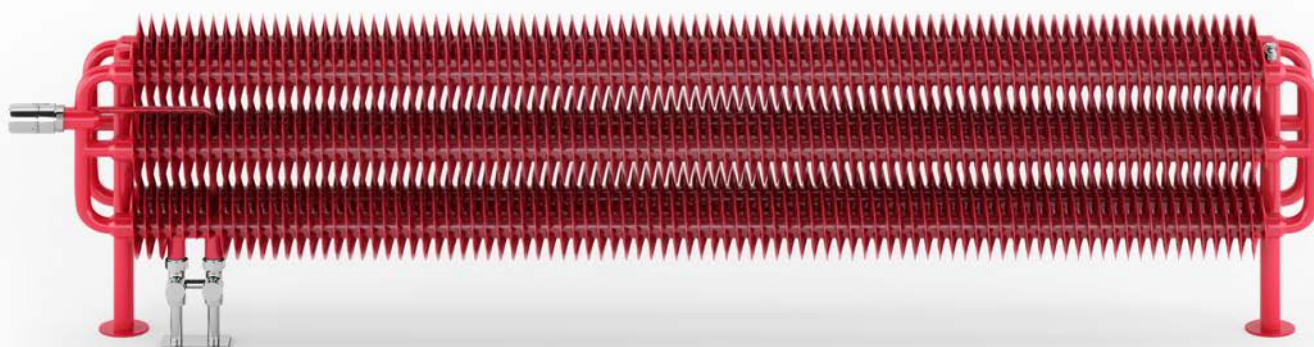


Ribbon HSD

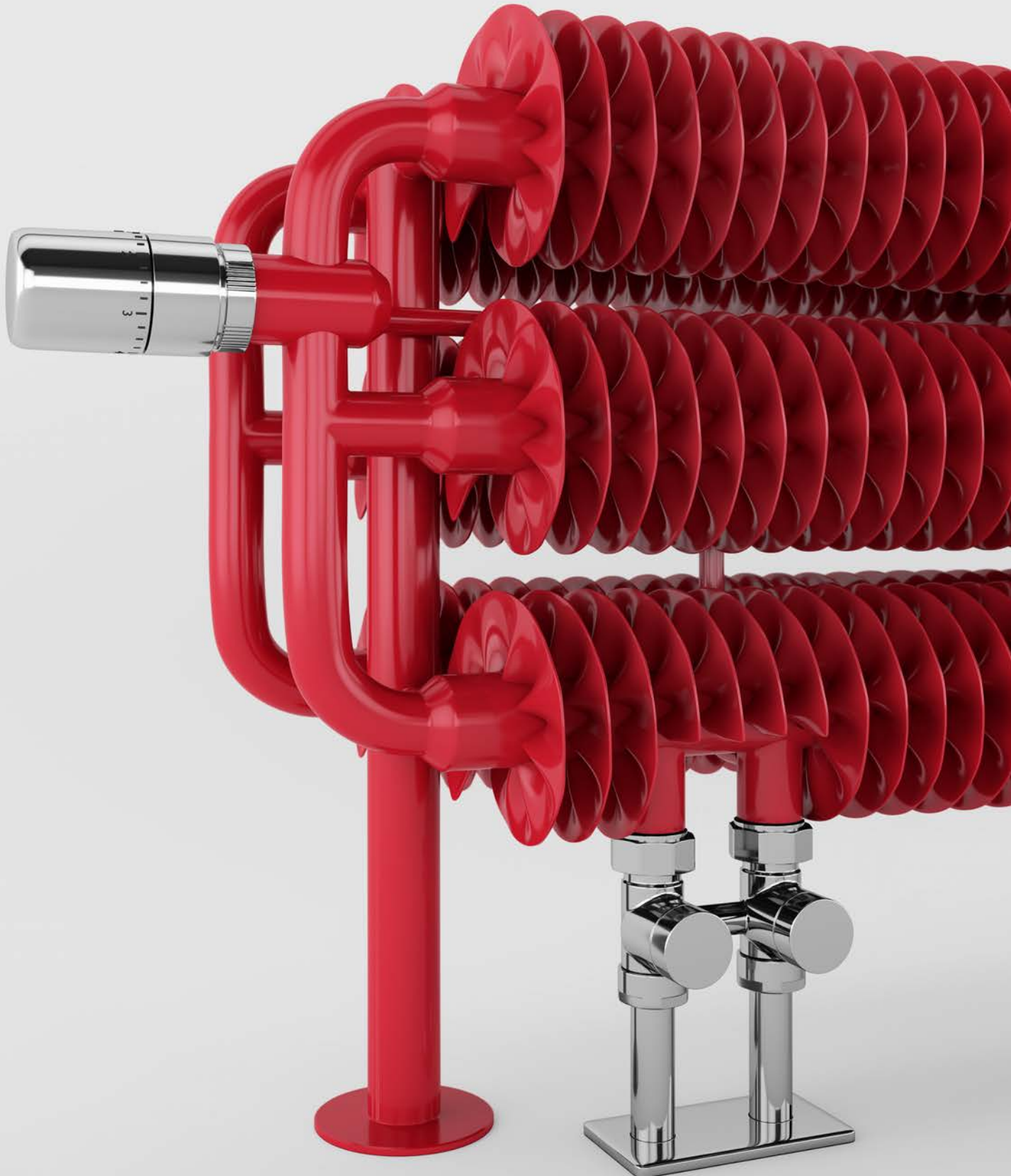


Colour included
in the price



Ribbon HSD 290 \updownarrow x 1740 \leftrightarrow VL
colour: RAL 3031

Inline integrated lockshield valves set, chrome
Integrated pipe-masking set, chrome

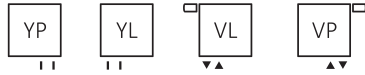


Ribbon HSD

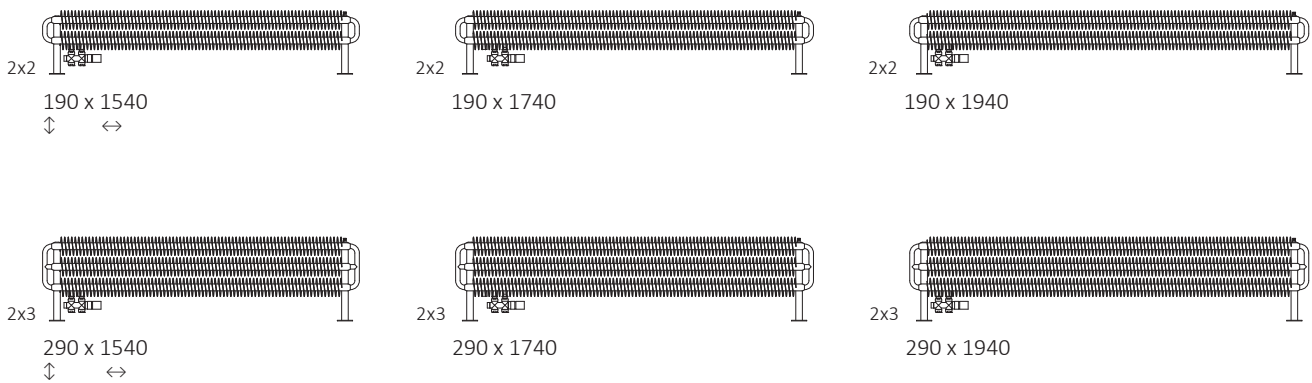


Projekt : *Terma*

Connections:





Available sizes:



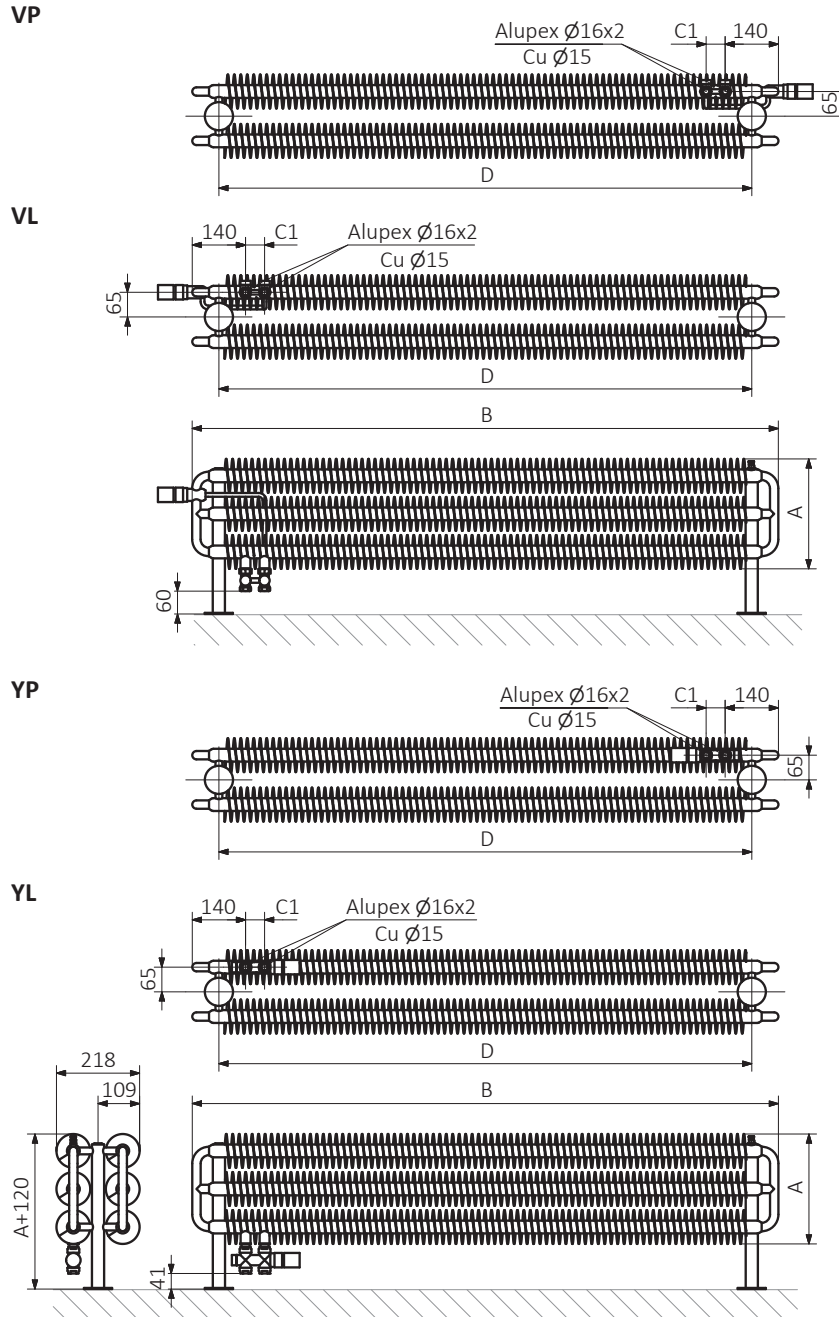
Specifications:

Working pressure: 1000 kPa Maximum operating temperature: 95°C

A ↓	B ↔	C1 [mm]	75/65/20°C [W]	55/45/20°C [W]	D [mm]	 [dm ³]	 [kg]	Product Code ▶ Configuration code p. 212
190	1540	50	1207	683	1400	3,78	32,67	WGHSD019154
190	1740	50	1364	772	1600	4,26	36,88	WGHSD019174
190	1940	50	1420	803	1800	4,75	41,09	WGHSD019194
290	1540	50	1609	909	1400	5,52	47,69	WGHSD029154
290	1740	50	1818	1028	1600	6,25	54,00	WGHSD029174
290	1940	50	2027	1146	1800	6,99	60,32	WGHSD029194

Ribbon HSD

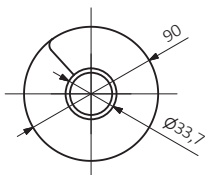
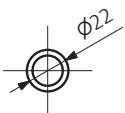
  Colour included in the price



A — Height B — Width C1-C5 — Distance between pipe centres D — Horizontal distance between mounting bracket centres
E — Vertical distance between mounting brackets F — Distance between a mounting bracket and the bottom of the radiator

Collector:

Profile:





Colour included
in the price

Product codes can be found in product data sheet tables. The codes provide some basic information about the product while a partially filled configuration code contains complementary information about the detailed specifications. When placing an order, product codes should include the fully completed configuration part. The configuration code part should be placed after the main product code. The main product code and configuration part will appear as shown in the example below:

The construction of a water radiator product and configuration code:

WGHSD019154

PRODUCT CODE
(located in the table for the product)

K916VL

CONFIGURATION CODE
(supplemented by hand)

Configuration

K 916 VL

Package code Colour code Connection code
K – carton box

Epoxy primer

E – Code of epoxy primer is an extra processes.

WGHSD019154 K916VL **E** — *Extra processes or additions code*

Ribbon HSD



Legend



Radiator available in a "water" version.



Radiator suitable for dual fuel connection. Electric heating element can be installed.



Radiator available in electric only version. It comes prefilled with a 'heating medium' and equipped with a heating element. All tested and ready to use.



Connection types dedicated for this radiator. The icon shows the flow and return connections for the radiator as well as the thermostatic valve and heating element position if applicable.



Suggested heating element power output for electric and dual fuel versions.



Weight.



Capacity.



Available in chrome finish.



No additional payment for a color.