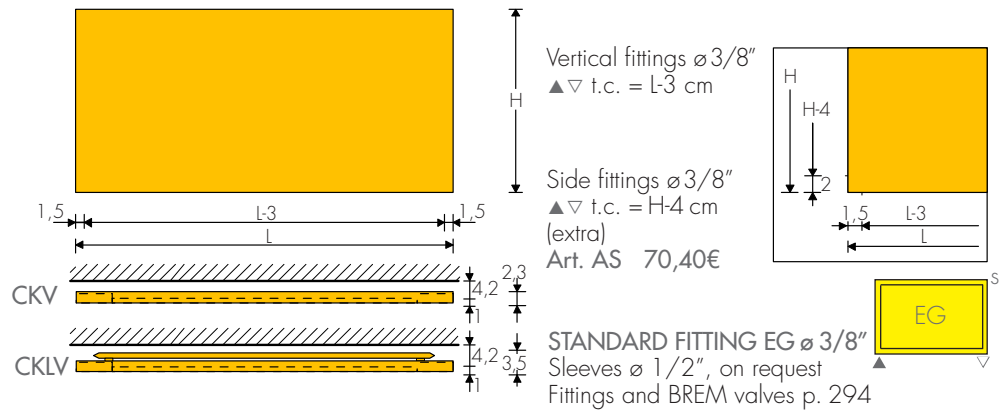
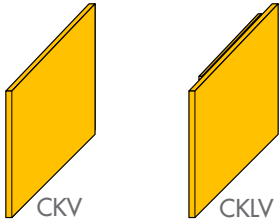


MODEL CKV
Horizontal plate

MODEL CKLV
Horizontal plate with tubes at the rear
H = from 35 to 88 cm (every 8,7 cm)
L = from 50 to 220 cm



Mod. CLAK		L	50	60	70	80	90	100	110	120	140	160	180	200	220
CKV 35	H	€	620,80	644,70	666,30	687,90	708,70	733,30	755,80	777,40	818,90	858,90	884,70	910,80	938,20
	35,4		203w	242w	281w	320w	360w	399w	438w	477w	556w	635w	713w	792w	870w
CKLV 35	H	€	771,30	800,90	831,80	864,90	894,80	928,10	959,40	989,30	1048,80	1107,90	1143,00	1178,10	1213,90
			250w	301w	352w	402w	453w	504w	554w	605w	707w	808w	909w	1011w	1112w
CKV 44	H	€	658,90	685,40	706,20	730,00	755,40	780,50	802,30	829,20	876,70	932,20	958,40	984,90	1014,20
	44,1		253w	302w	351w	399w	448w	497w	546w	595w	692w	790w	887w	985w	1082w
CKLV 44	H	€	818,40	857,00	891,00	924,80	962,20	995,10	1031,40	1068,30	1135,50	1212,20	1250,30	1288,10	1327,50
			325w	391w	457w	523w	588w	654w	720w	786w	918w	1050w	1181w	1313w	1445w
CKV 53	H	€	693,20	720,50	747,90	775,60	802,80	830,40	857,90	886,30	941,40	1005,60	1036,60	1067,60	1098,30
	52,8		304w	362w	420w	478w	537w	595w	653w	712w	828w	945w	1061w	1178w	1294w
CKLV 53	H	€	818,40	857,00	891,00	924,80	962,20	995,10	1031,40	1068,30	1135,50	1212,20	1250,30	1288,10	1327,50
			399w	480w	562w	643w	724w	805w	886w	967w	1129w	1291w	1453w	1616w	1778w
CKV 62	H	€	734,90	766,10	795,30	826,10	858,50	889,70	920,80	952,10	1012,60	1079,90	1113,40	1146,90	1179,50
	61,5		352w	420w	488w	555w	623w	691w	759w	827w	962w	1098w	1233w	1369w	1504w
CKLV 62	H	€	919,60	967,00	1010,00	1054,40	1101,50	1143,70	1190,10	1235,40	1323,10	1418,50	1465,40	1512,10	1559,00
			472w	568w	664w	761w	857w	953w	1050w	1146w	1338w	1531w	1723w	1916w	2109w
CKV 70	H	€	774,30	811,10	846,80	881,90	918,00	952,40	988,40	1024,00	1090,00	1161,20	1197,20	1233,00	1267,50
	70,2		403w	480w	557w	635w	712w	789w	866w	944w	1098w	1253w	1407w	1562w	1716w
CKLV 70	H	€	961,10	1012,10	1059,00	1108,60	1156,70	1207,80	1257,60	1306,30	1400,30	1498,40	1548,10	1597,50	1646,40
			546w	658w	769w	881w	992w	1104w	1215w	1327w	1550w	1773w	1996w	2219w	2441w
CKV 79	H	€	844,30	882,00	922,00	958,60	999,50	1035,40	1075,20	1115,20	1185,70	1265,40	1304,00	1342,80	1381,40
	78,9		453w	540w	627w	714w	800w	887w	974w	1061w	1234w	1408w	1581w	1755w	1928w
CKLV 79	H	€	1027,80	1079,70	1131,60	1183,50	1236,40	1288,30	1341,30	1393,30	1492,20	1600,50	1652,80	1705,40	1756,80
			621w	747w	874w	1001w	1128w	1254w	1381w	1508w	1761w	2014w	2268w	2521w	2774w
CKV 88	H	€	901,60	942,70	981,60	1022,30	1063,10	1102,00	1143,70	1182,40	1258,20	1343,60	1384,20	1425,20	1466,10
	87,6		504w	600w	696w	793w	889w	985w	1081w	1178w	1370w	1563w	1755w	1948w	2141w
CKLV 88	H	€	1085,40	1141,30	1195,40	1249,10	1303,10	1358,10	1411,80	1465,70	1569,70	1681,10	1735,00	1789,30	1844,10
			695w	837w	979w	1121w	1263w	1405w	1547w	1688w	1972w	2256w	2540w	2824w	3107w

Δt different from 50K: technical data Brem

HOW TO ORDER

State: model (simple model or with tubes), height, width, fitting and color
e.g.: CKLV 70-180, EG $\varnothing 3/8''$, SB 7035

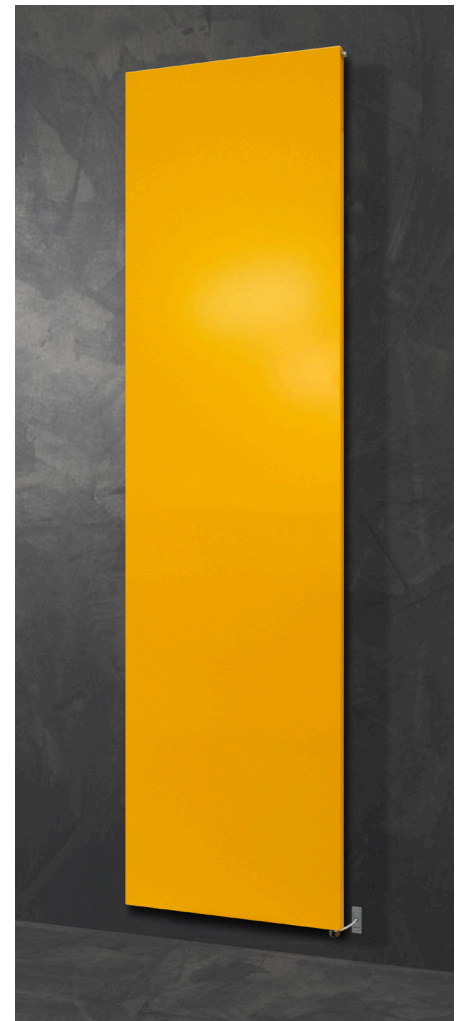
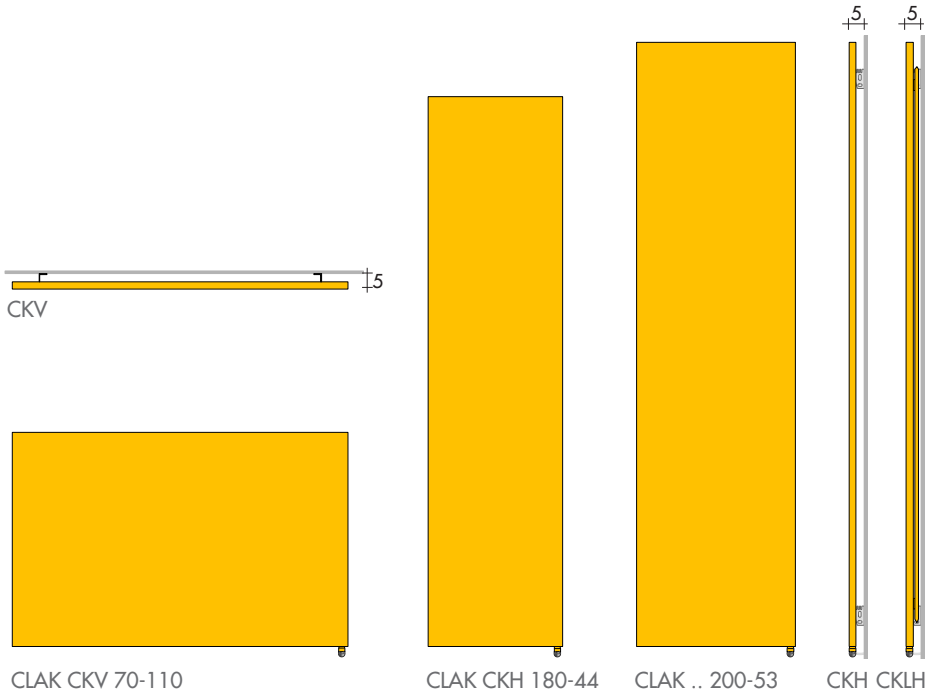
STANDARD PRODUCTION

White "sablé" paintwork - white EOS brackets
Tolerance ± 3 mm - Air vent $\varnothing 1/8''$
MAXIMUM OPERATING PRESSURE 4 BAR

PRODUCTION ON REQUEST

Paintwork to BREM color list +15/25%
Stainless steel finish with extra price
Electric version e.Clak, pag. 269

TECHNICAL DATA p. 114
Other dimensions on request
ELECTRIC KIT DATA p. 244



RADIATOR	+	chosen KIT	=	ELECTRIC RADIATOR
standard white sablé or paint to Brem color list with extra		KIT RE Electric Heating Element KIT TE Digital Thermostat KIT RI Radio frequency receiver (thermostat excluded)		white sablé or paint to Brem color list with chosen KIT

MODEL	HL cm	White standard	Colors +15%	Colors +25%	KIT RE Heating element		KIT TE Digital thermostat		KIT RI Radio frequency receiver	
		€	€	€	Art.	€	Art.	€	Art.	€
CKV	70-110	988,40	1075,20	1168,70	R900IIE	215,50	R900IITE	275,90	R900IIRI	311,50
CKH	180-44	861,50	990,70	1076,90	R900IIE	215,50	R900IITE	275,90	R900IIRI	311,50
CKH	200-53	985,00	1132,80	1231,30	R1200IIE	233,30	R1200IITE	293,80	R1200IIRI	329,30
CKLH	200-53	1247,60	1434,70	1559,50	R1500IIE	251,60	R1500IITE	312,10	R1500IIRI	347,70
		GILDED Leaf	INOX SATIN	SIMIL .. FINISH						
CKV ..	70-110	1914,90	1371,00	1334,50	R900IIE	215,50	R900IITE	275,90	R900IIRI	311,50
CKH ..	180-44	1786,50	1244,10	1207,60	R900IIE	215,50	R900IITE	275,90	R900IIRI	311,50
CKH ..	200-53	2075,60	1570,90	1378,20	R1200IIE	233,30	R1200IITE	293,80	R1200IIRI	329,30
CKLH ..	200-53	2338,10	1833,40	1640,70	R1500IIE	251,60	R1500IITE	312,10	R1500IIRI	347,70

1200W and 1500W E.H.E. work using constant power.

CLAK-FO Gilded Leaf
CLAK-FA Silver Leaf

HEATING ELEMENT POSITION
© Vertical Heating Element



KIT RE: Electric Heating Element Kit
Filling with diathermic liquid
Class II El. Heating Element with cable (150cm)
Chrome plated plug and wall mounting brackets.

KIT TE: Digital Thermostat Kit
Kit RE with digital thermostat:
- white for white radiators,
- metal grey for coloured radiators.

KIT RI: Radio frequency box receiver Kit
Kit RE with radio frequency box receiver (wall-mounted receiver with extra). Add the chosen radiator thermostat (it can control up to 12 radiators)



wall recessed

Wall-mounted radio receiver (extra for KIT RI)
Art. SRP 13,00€



Radio programmable wall-mounted thermostat
Art. RHD 106,40€



Radio programmable thermostat Multi
Art. CTD 129,60€