

Retro S



colour included
in the price



Retro S 1245 ↑ × 504 ↔ AX
colour: Sparkling Grey

Star angled regulatng valve set, chrome
Pipe-masking set, chrome



TERMA
SINCE 1930



Retro S



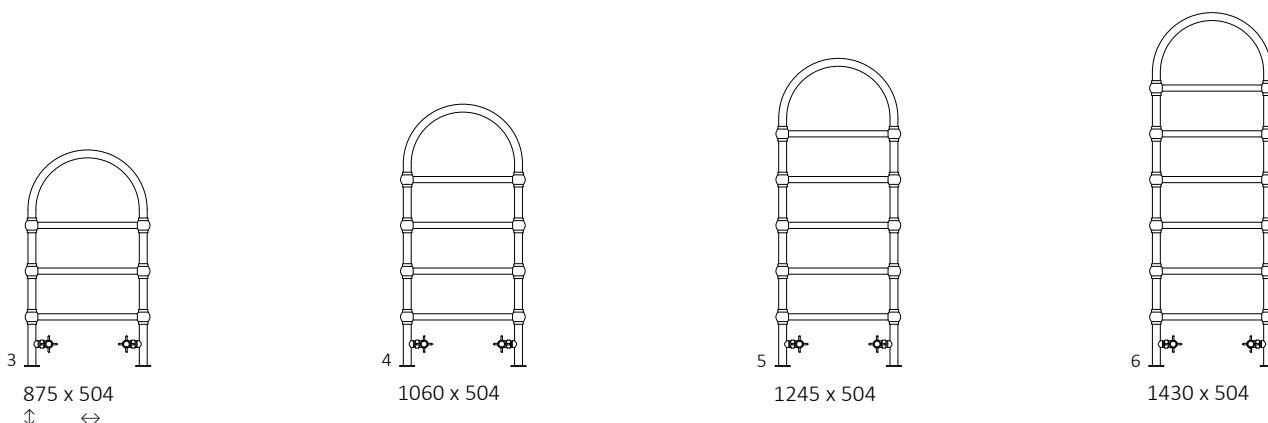
colour included
in the price

Design : Dariusz Berus

Standard connection:



Available sizes:



Specification:

Working pressure: 1000 kPa Maximum operating temperature: 95°C

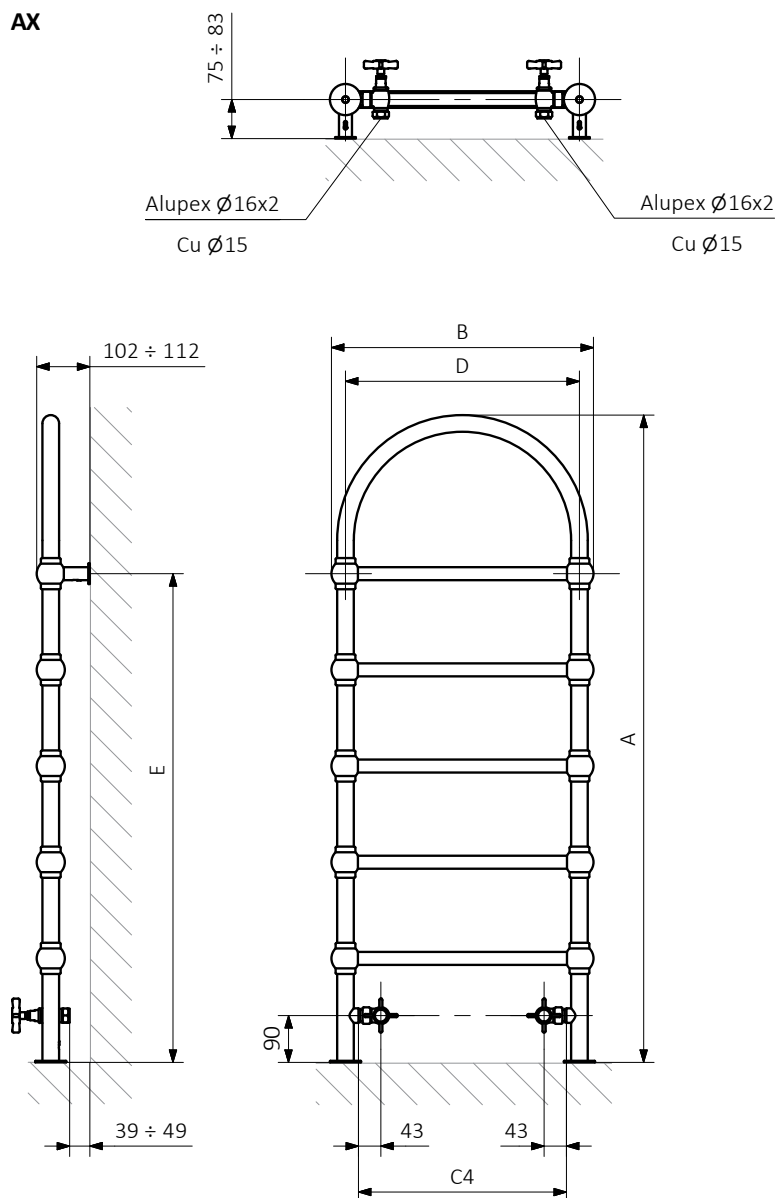
A ↑ [mm]	B ↔ [mm]	C4 [mm]	75/65/20°C [W]	55/45/20°C [W]	D [mm]	E [mm]	H [dm ³]	kg	Product code <small>Configuration code p. 5</small>
Paint									
875	504	400	200	109	450	570	2,32	7,00	WGR1S087050
1060	504	400	240	131	450	755	2,73	8,46	WGR1S106050
1245	504	400	283	153	450	940	3,15	9,92	WGR1S124050
1430	504	400	325	175	450	1125	3,57	11,38	WGR1S143050
Plating									
875	504	400	140	71	450	570	2,32	6,83	WGR1S087050
1060	504	400	168	86	450	755	2,73	8,26	WGR1S106050
1245	504	400	198	101	450	940	3,15	9,69	WGR1S124050
1430	504	400	228	116	450	1125	3,57	11,12	WGR1S143050

Retro S



colour included
in the price

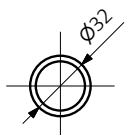
Technical drawing:



A – Height B – Width C1-C5 – Distance between pipe centres D – Horizontal distance between mounting bracket centres
E – Vertical distance between mounting brackets F – Distance between a mounting bracket and the bottom of the radiator

Collector :

Pipe :



Retro S



colour included
in the price

In the table with technical data, the last column lists product codes. When placing an order, please remember to quote the product code followed by the configuration code as shown in the diagram below:

The construction of a water and dual fuel radiator product and configuration code:

WGR1S087050

PRODUCT CODE
(located in the table for the product)

K916SX

CONFIGURATION CODE
(supplemented by hand)

Example Configuration

K **916** **SX**

Package code
K - carton box

Colour code

Connection code

Epoxy primer

E - Code of epoxy primer is an extra processes.

WGR1S087050 K916SX **E** — Extra processes or additions code

Retro S



colour included
in the price

Legend



Radiator available in a "water" version.



Radiator suitable for dual fuel connection. Electric heating element can be installed.



Radiator available in electric only version. It comes prefilled with a 'heating medium' and equipped with a heating element. All tested and ready to use.



Connection types dedicated for this radiator. The icon shows the flow and return connections for the radiator as well as the thermostatic valve and heating element position if applicable.



Suggested heating element power output for electric and dual fuel versions.



Weight.



Capacity.



Available in chrome finish.



colour
included
in the price

No additional payment for a color.