

s h a p e



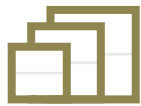
Hudevad P100



Technical datasheet

HUDEVAD
s h a p e

Key benefits



Available in three depths

Highly flexible in use



Integrated top grille

Harmonious and finished look



Low, streamlined design

Ideal in front of glazing to prevent cold draughts

Index

Description.....	4
Illustrations	5
Dimensions.....	5
Build-in dimensions	6
Floor mounted.....	6
FDC feet.....	7
Wall mounted.....	8
Brackets	8
Built-in valve	9
Optional extras	10
Output	11
Tappings	11

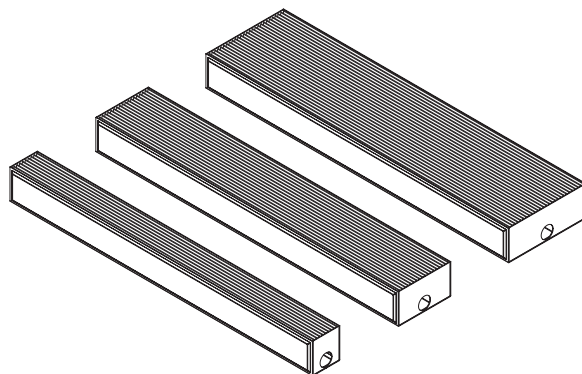
Description

Low, streamlined design which is ideal in front of glazing. The P100 is available in three depths for high flexibility in use. Radiator casing in 2 mm steel plate with smooth, rebated front and rear plates, and with integrated top grille for a harmonious look.

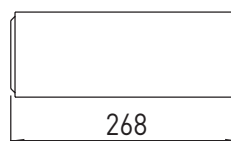
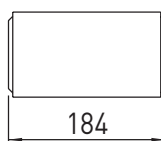
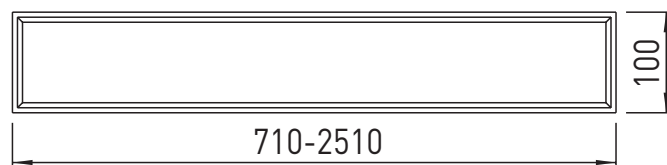
Material	Radiator casing: 2.00 mm steel to EN 10051 Heating element: 5/8" copper tubes 0.15 mm fins, powder coated in black Top grille: Natural anodised aluminium
Test pressure	13 bar
Max. operating pressure	10 bar in accordance with EN 442
Max. operating temperature	90°C
Surface treatment	Pretreatment: Degreasing and passivation Priming: Primed with water based paint in pale grey
Length	610-2510 mm, in increments of 100 mm
Height	100 mm
Depth	100, 184 and 268 mm
Tappings	1/2" standard
Installation	Wall or floor mounted Brackets are included Air vents and plugs are included
Optional extras	Modular infill panel available to conceal pipework (90 or 190 mm) incl. fittings
Colour	Powder coated in white RAL 9010. Gloss 70. Option: Painted in other standard RAL and BS colours Surface treatment in accordance with DIN 55900 and EN 442

Note: All the following measurements are in mm.

Illustrations

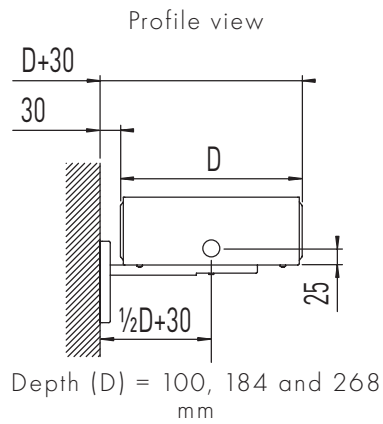


Dimensions



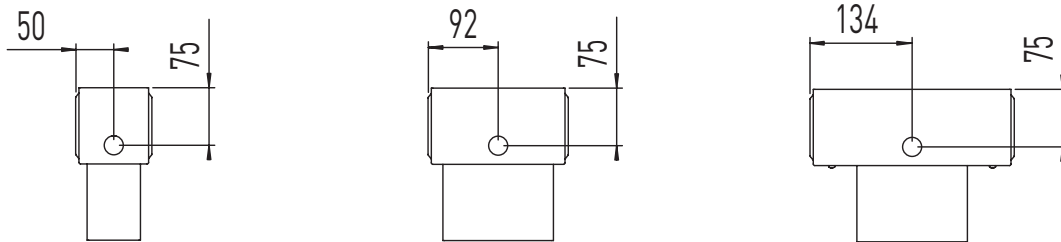
HUDEVAD
shape

Build-in dimensions

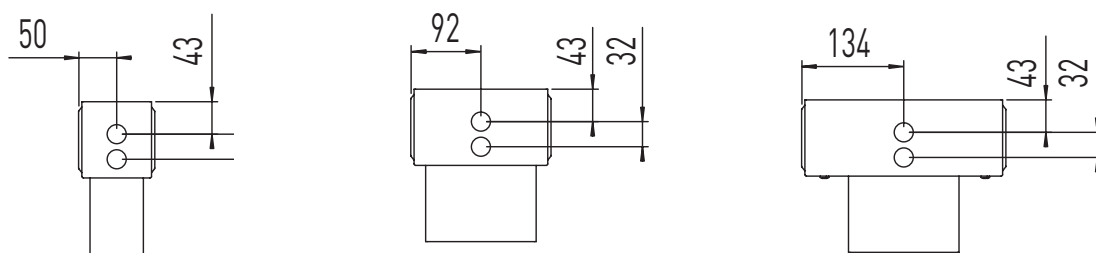


Floor mounted

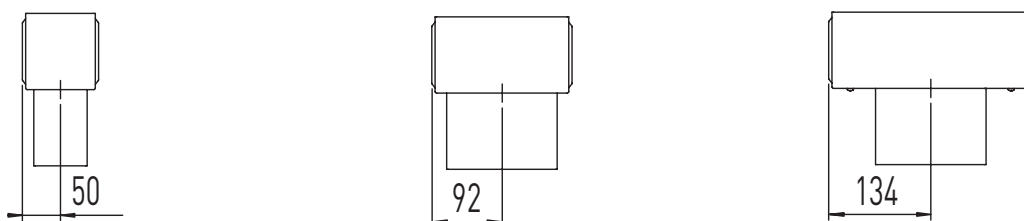
100, 184 and 268. Tappings BD/DB



100, 184 and 268. Tappings BB/DD



100, 184 and 268. Tappings EF/FE

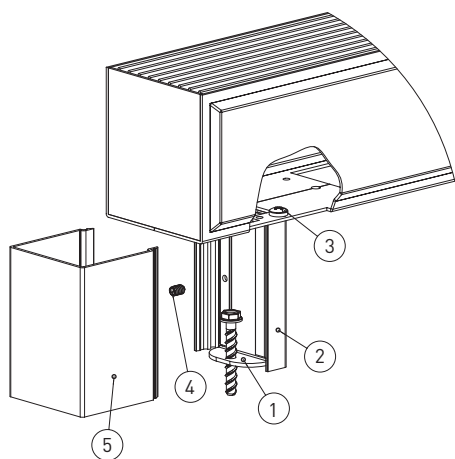


HUDEVAD
shape

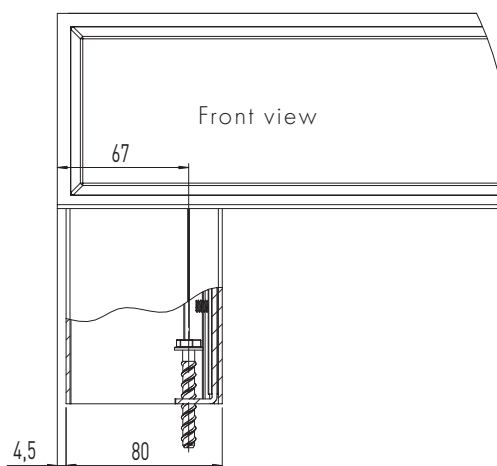
FDC feet

Consists of 4 parts:

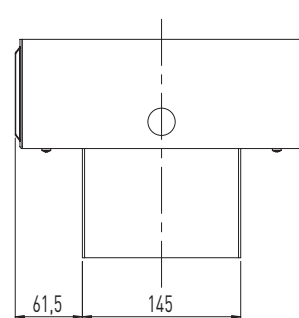
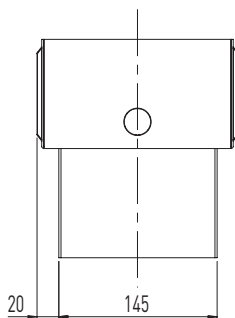
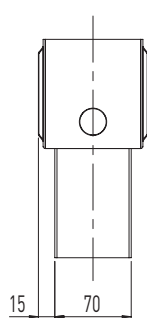
- A steel foot (item 1) that is to be fixed onto the floor.
- A standard foot (item 2), screwed together with the casing with 2 selftapping screws (item 3). The movable part of the foot can be pushed into the fixed part.
- An allen screw with hex socket (item 4) is supplied to lock the movable part of the foot, once the radiator is levelled. This means that there is a possibility of small height adjustments.
- Once P100 is mounted on the floor and connected to the pipework, the pipework cover (item 5) is to be squeezed by hand until it engages with the groove of the foot already fixed onto the floor.



Dimensions: 80 x 70 mm = 100
80 x 145 mm = 184 and 268



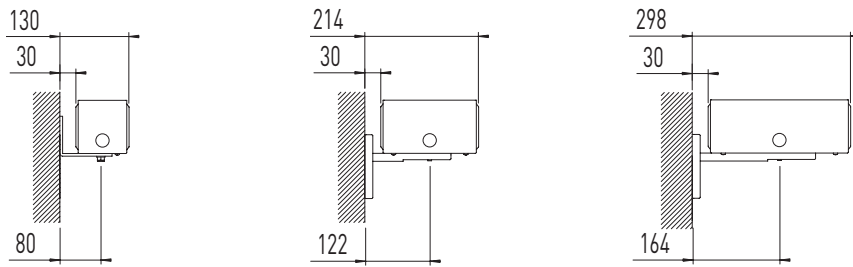
Position of standard feet: 100, 184 and 268



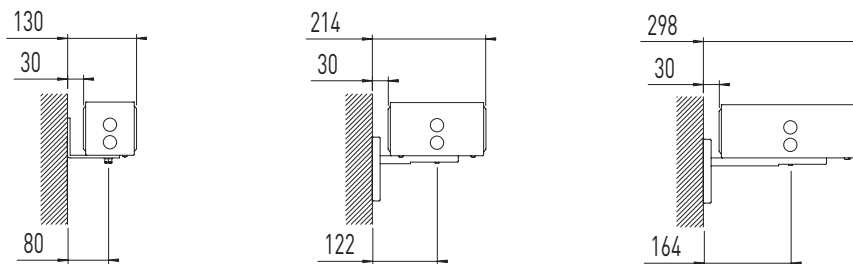
HUDEVAD
shape

Wall mounted

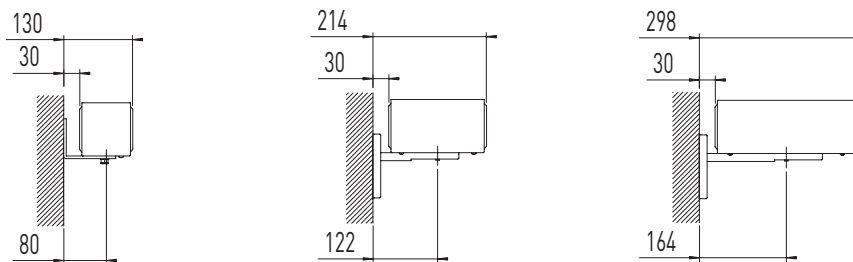
100, 184 and 268. Tappings BD/DB



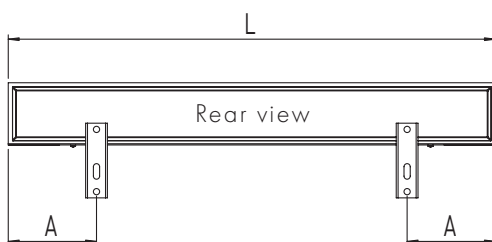
100, 184 and 268. Tappings BB/DD



100, 184 and 268. Tappings EF/FE

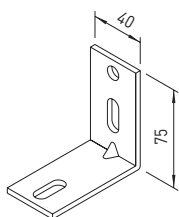


Position of brackets

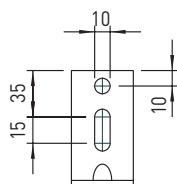


Tapping	A-measure, mm
BD and DB tappings	130
All other tappings	107

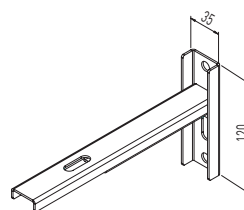
Bracket BPH for 100



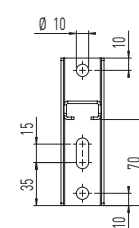
Bracket BPH for 100



Bracket BPH for 184 and 268



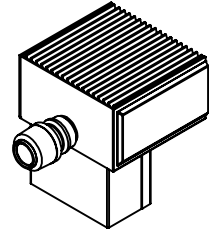
Bracket BPH for 184 and 268



HUDEVAD
shape

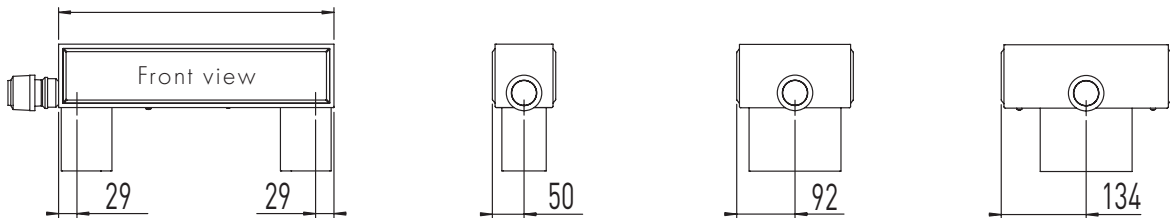
Built-in valve

Application For use where a thermostatic valve is to be integrated within the radiator, where discreet pipework is required or for the ease of installation. The cabinet length is the same as the length of P100 without a built-in valve (underside tappings - E-F or F-E). The thermostatic sensor of the valve is passed through the end of the radiator (format 3). Danfoss RA2990 sensor head and Danfoss RA-N valve with water quantity presetting are used. The valve is factory fitted.

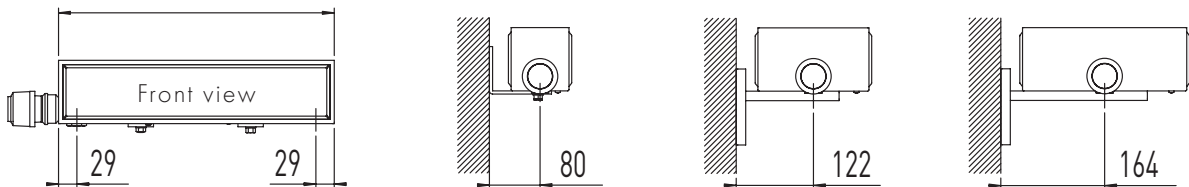


Tappings Format 3 valve radiators have underside 1/2" tappings.

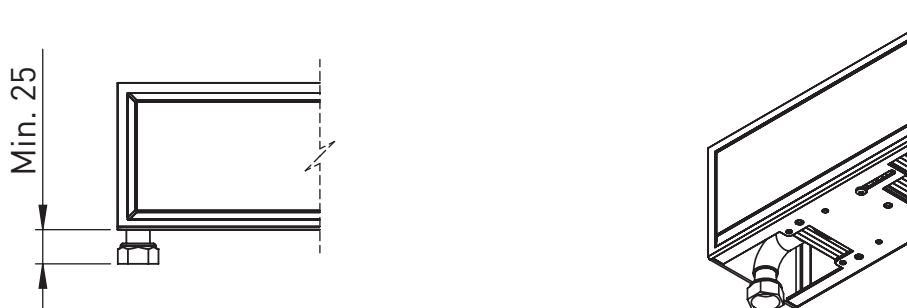
L = 610 - 2510 mm / in incements of 100mm



L = 610 - 2510 mm / in incements of 100mm



Tappings EF + built-in valve format 3 incl. flex hoses

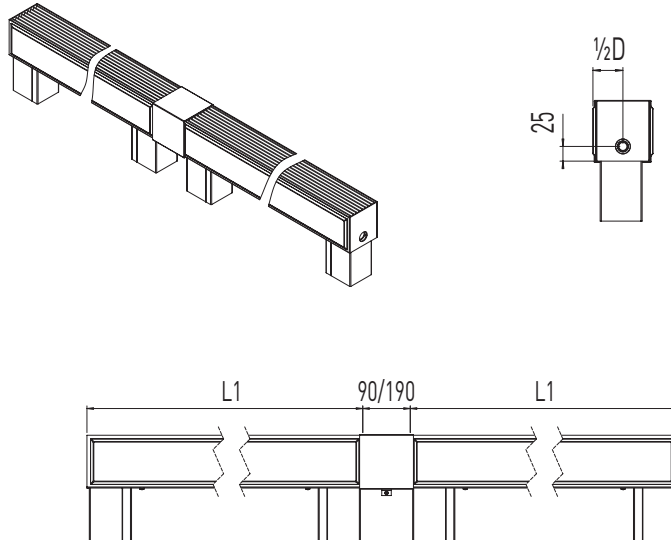


Optional extras

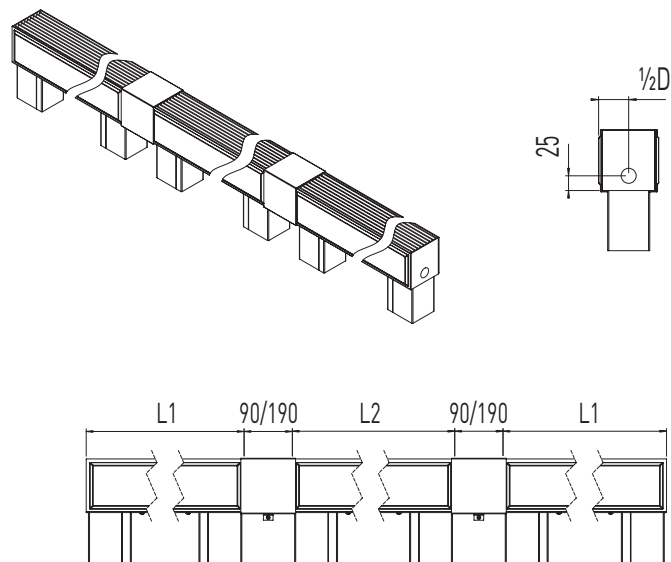
P100 modular

P100 modular is a number of P100 units connected in series.
For use when the total length of P100 is calculated/designed to be larger than 2510 mm.
All types of P100 can be used.

BD/DB, side tappings; positioned in the same way as those of a single P100.
NOTE: P100 modular cannot be fitted with tappings BB and DD.



EF/FE, underside tappings; positioned in the same way as those of a single P100.

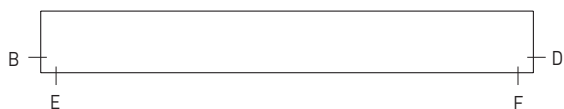


HUDEVAD
shape

Output

Model	Output			Water content Litres / m	Weight kg / m
	W / m 75°/65°/20°	W / m 55°/45°/20°	W / m 70°/40°/20°		
100	367	174	200	0.61	6.09
184	717	336	387	1.17	8.88
268	1088	501	579	1.83	11.07

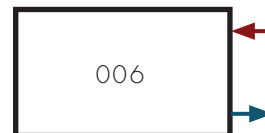
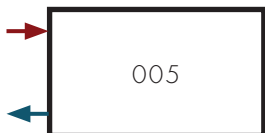
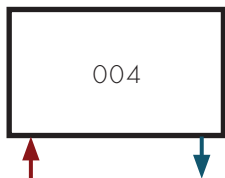
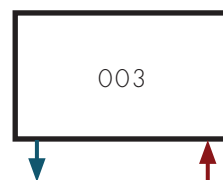
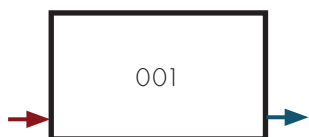
Tappings



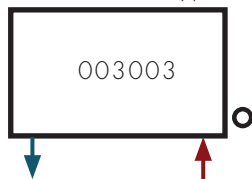
Tappings E and F are factory fitted with flex hoses
Standard tappings: 1/2" BD



Tappings E and F are placed centrally in the bottom of all P100 models



Built-in valve type 3



Built-in valve type 3

