


# Incorner



 colour included  
in the price



**Incorner** 1275 $\downarrow$  × 350 $\leftrightarrow$  SX  
colour: RAL 3020

3-axis thermostatic valve set, left, chrome  
Pipe-masking set, chrome



**TERMA**  
SINCE 1990



## Standard connection:

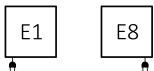
A  $\updownarrow$  465÷1545:



A  $\updownarrow$  735÷1545

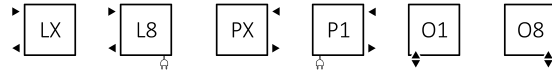


Electric radiators:



## Optional connection:

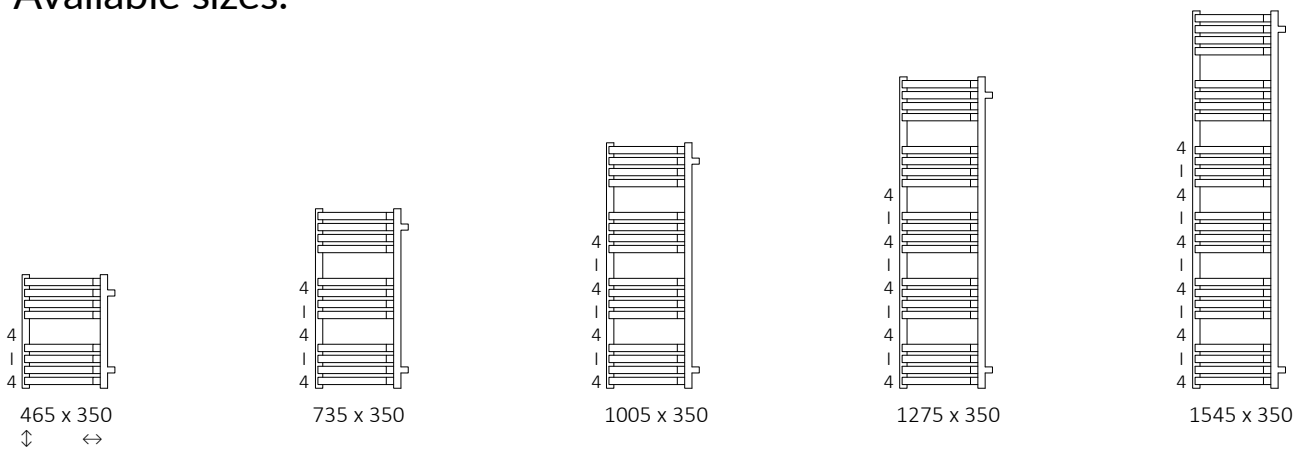
A  $\updownarrow$  465÷1545:



A  $\updownarrow$  735÷1545






## Available sizes:



## Specification:

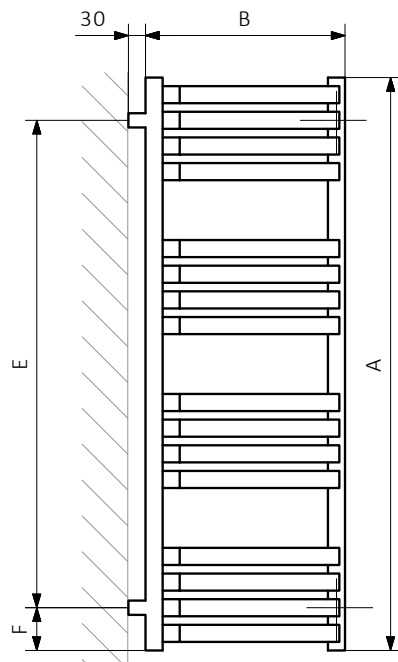
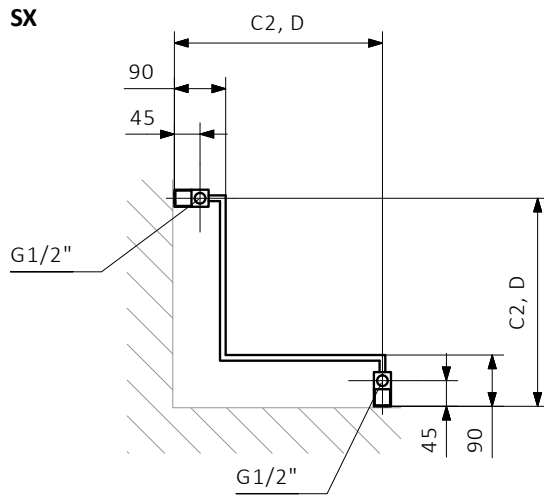
Working pressure: 1000 kPa Maximum operating temperature: 95°C

A $\updownarrow$ [mm]	B $\leftrightarrow$ [mm]	C2 [mm]	75/65/20°C [W]	55/45/20°C [W]	 [W]	D [mm]	E [mm]	F [mm]	 [dm <sup>3</sup> ]	 [kg]	Product code <small>Configuration code p. 6</small>
465	350	365	284	153	300	365	315	76	1,53	5,37	WGQIN046035
735	350	365	415	223	400	365	585	76	2,34	8,16	WGQIN073035
1005	350	365	546	293	600	365	855	76	3,16	10,94	WGQIN100035
1275	350	365	677	363	800	365	1125	76	3,98	13,73	WGQIN127035
1545	350	365	808	433	800	365	1395	76	4,80	16,52	WGQIN154035

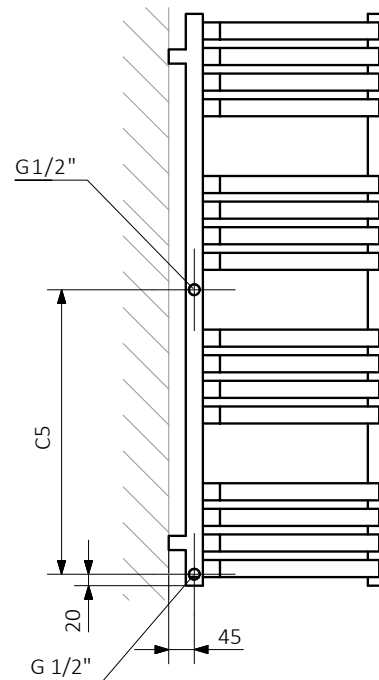


colour included  
in the price

## Technical drawing:

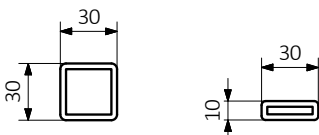


**5L**



A – Height B – Width C1-C5 – Distance between pipe centres D – Horizontal distance between mounting bracket centres  
E – Vertical distance between mounting brackets F – Distance between a mounting bracket and the bottom of the radiator

### Pipe:





In the table with technical data, the last column lists product codes. When placing an order, please remember to quote the product code followed by the configuration code as shown in the diagram below:

## The construction of a water and dual fuel radiator product and configuration code:

WGQIN046035

K916SX

PRODUCT CODE  
(located in the table for the product)

CONFIGURATION CODE  
(supplemented by hand)

### Example Configuration

K 916 SX

Package code    Colour code    Connection code  
*K - carton box*

## Construction of electric heater configuration code:

WLQIN046035

K916E2DRYM

PRODUCT CODE  
(located in the table for the product)

CONFIGURATION CODE  
(supplemented by hand)

### Example Configuration

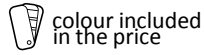
K 916 E2 DRY M

Package code    Colour code    Connection code    Heating element code    Type of heating element cable code  
*K - carton box*

## Epoxy primer

**E** – Code of epoxy primer is an extra processes.

WGQIN046035 K916SX **E** — Extra processes or additions code



## Legend



Radiator available in a "water" version.



Radiator suitable for dual fuel connection. Electric heating element can be installed.



Radiator available in electric only version. It comes prefilled with a 'heating medium' and equipped with a heating element. All tested and ready to use.



Connection types dedicated for this radiator. The icon shows the flow and return connections for the radiator as well as the thermostatic valve and heating element position if applicable.



Suggested heating element power output for electric and dual fuel versions.



Weight.



Capacity.



Available in chrome finish.



No additional payment for a color.