
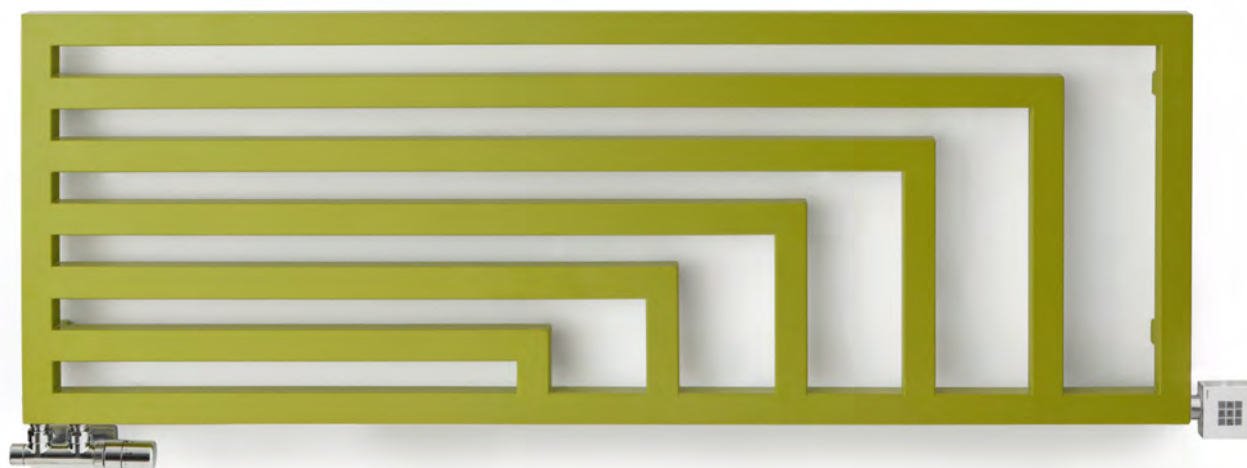


Angus H



 colour included
in the price



Angus H 520↓ × 1460↔ Y7
colour: Soft Green Apple

Integrated thermostatic valve, angled, left, chrome
SLIM thermostatic head, chrome
Integrated pipe-masking set, chrome
Heater KTX 2, chrome

ARTES
DESIGN



TERMA
SINCE 1990

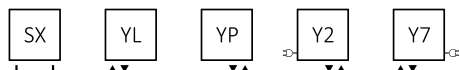
Angus H



Design: Artes Design

Standard connection:

A ↑ 360÷680:

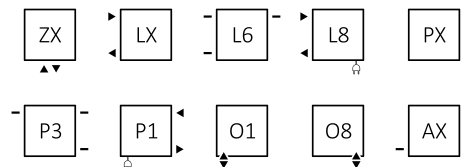


Electric radiators:

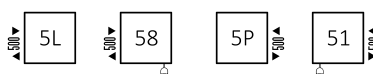


Optional connection:

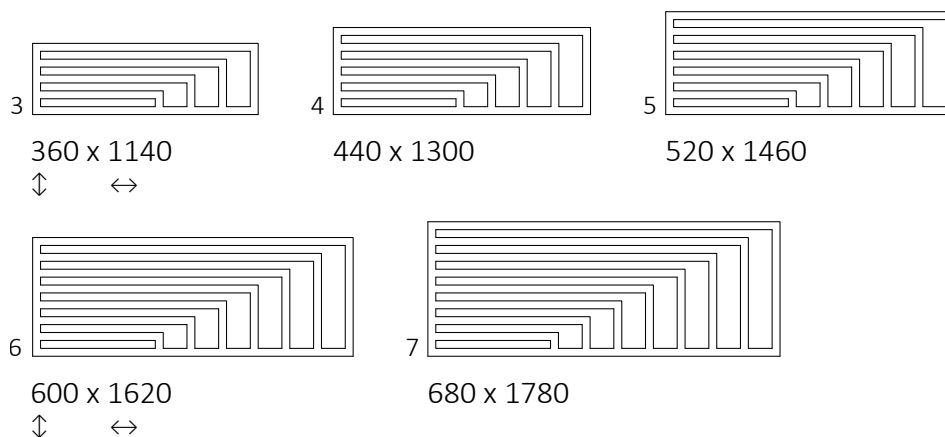
A ↑ 360÷680:



A ↑ 600÷680:



Available sizes:



Specification:

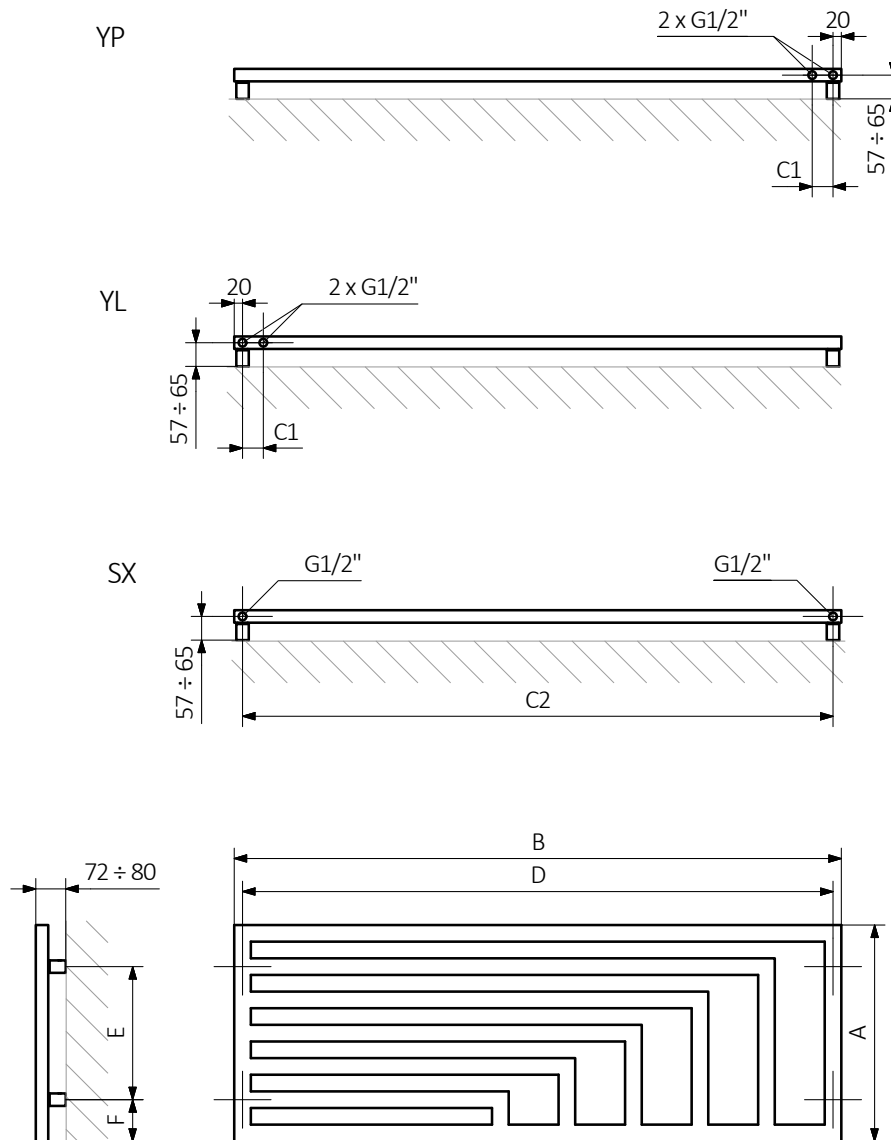
Working pressure: 800 kPa Maximum operating temperature: 95°C

A ↑ [mm]	B ↔ [mm]	C1 [mm]	C2 [mm]	75/65/20°C [W]	55/45/20°C [W]	☺ [W]	D [mm]	E [mm]	F [mm]	U [dm³]	⚖️ [kg]	Product code <small>Configuration code p. 6</small>
360	1140	50	1100	416	227	400	1100	160	100	5,18	11,50	WGANH036114
440	1300	50	1260	538	292	600	1260	240	100	6,92	15,36	WGANH044130
520	1460	50	1420	680	366	800	1420	320	100	8,88	19,71	WGANH052146
600	1620	50	1580	841	449	800	1580	400	100	11,07	24,57	WGANH060162
680	1780	50	1740	1022	540	1000	1740	480	100	13,48	29,92	WGANH068178



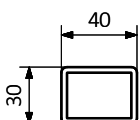
colour included
in the price

Technical drawing:

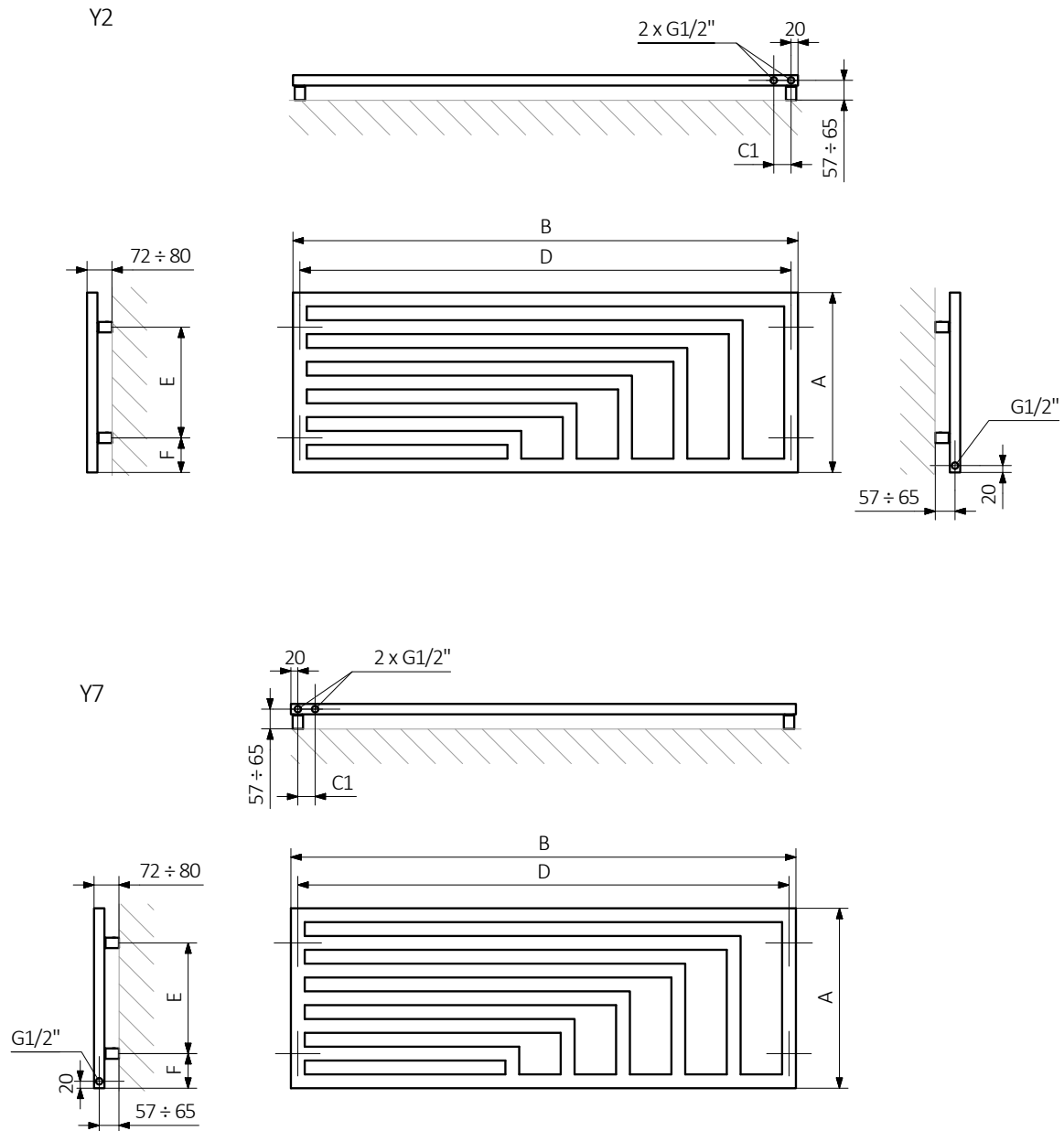


A – Height B – Width C1-C5 – Distance between pipe centres D – Horizontal distance between mounting bracket centres
E – Vertical distance between mounting brackets F – Distance between a mounting bracket and the bottom of the radiator

Pipe:

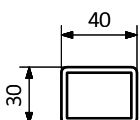


Technical drawing:



A – wysokość B – szerokość C1-C5 – rozstaw połączeń D – rozstaw mocowań w poziomie E – rozstaw mocowań w pionie F – odległość od dolnej osi mocowań do dolnej krawędzi Collectora

Pipe:





In the table with technical data, the last column lists product codes. When placing an order, please remember to quote the product code followed by the configuration code as shown in the diagram below:

The construction of a water and dual fuel radiator product and configuration code

WGANH036114

K916SX

PRODUCT CODE
(located in the table for the product)

CONFIGURATION CODE
(supplemented by hand)

Example Configuration

K 916 SX

Package code Colour code Connection code
K - carton box

Construction of electric heater configuration code:

WLANH036114

K916E2DRYM

PRODUCT CODE
(located in the table for the product)

CONFIGURATION CODE
(supplemented by hand)

Example Configuration

K 916 E2 DRY M

Package code Colour code Connection code Heating element code Type of heating element cable code
K - carton box


Epoxy primer

E – Code of epoxy primer is an extra processes.

WGANH036114 K916SX **E** — *Extraprocesses or additions code*

Angus H



 colour included
in the price

Legend



Radiator available in a "water" version.



Radiator suitable for dual fuel connection. Electric heating element can be installed.



Radiator available in electric only version. It comes prefilled with a 'heating medium' and equipped with a heating element. All tested and ready to use.



Connection types dedicated for this radiator. The icon shows the flow and return connections for the radiator as well as the thermostatic valve and heating element position if applicable.



Suggested heating element power output for electric and dual fuel versions.



Weight.



Capacity.



Available in chrome finish.



No additional payment for a color.