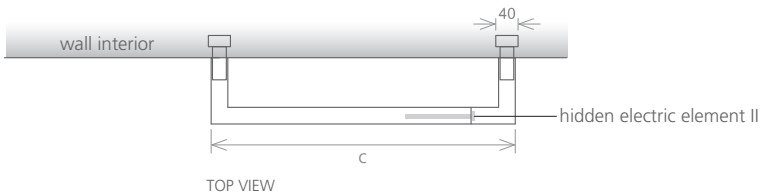
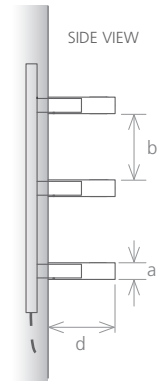
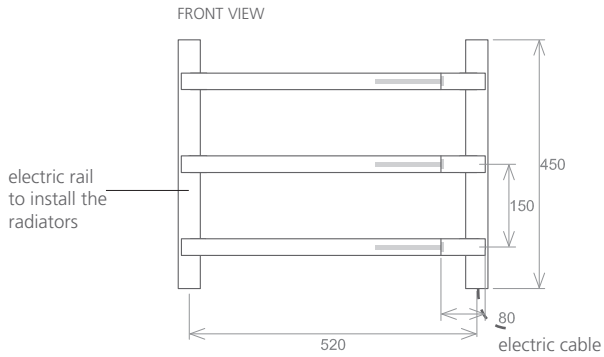


# M TUBE SQUARE

TOWEL WARMER







MATERIAL stainless steel

FINISHINGS



POLISHED



BRUSHED



TEXTURED  
BLACK



WHITE



RAL COLOUR

TITANIUM FINISH \*



GOLD



COPPER



## ACCESSORIES



MIMOO  
SWITCH



DOMOTIC  
TOUCH

model	MTS3 550	additional elem.	MTS3 800	additional elem.
no. of elements	3	1	3	1
height (mm) a	30	30	30	30
width between elements (mm) b	120	-	120	-
total width (mm) c	550	550	800	800
depth (mm) d	120	120	120	120
capacity (l)	3x0,4	0,4	3x0,6	0,6
electric (W)	3x40	40	3x40	40