

M TUBE ROUND

TOWEL WARMER



MATERIAL stainless steel

FINISHINGS



POLISHED



BRUSHED



TEXTURED
BLACK



WHITE



RAL COLOUR

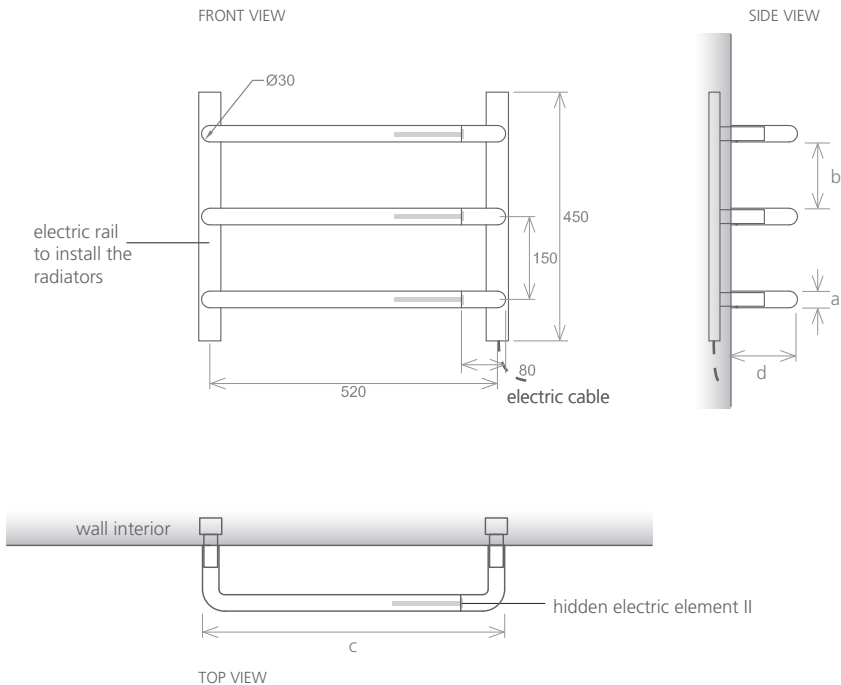
TITANIUM FINISH *



GOLD



COPPER



ACCESSORIES



MIMOO SWITCH



DOMOTIC TOUCH

	model	MTR3 550	additional elem.	MTR3 800	additional elem.
no. of elements		3	1	3	1
height (mm)	a	30	30	30	30
width between elements (mm)	b	120	-	120	-
total width (mm)	c	550	550	800	800
depth (mm)	d	120	120	120	120
capacity (l)		3x0,4	0,4	3x0,6	0,6
electric (W)		3x40	40	3x40	40