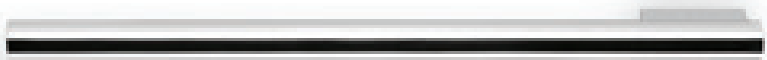


M SLIM

TOWEL WARMER

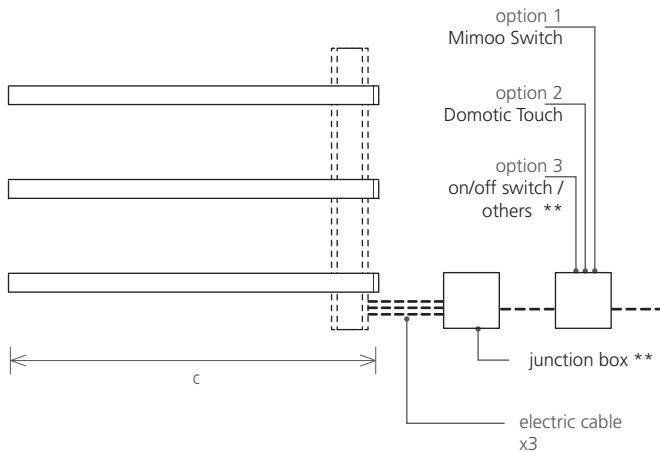
Minimalist towel warmer M Slim, available in stainless steel polished and brushed, ral colors and finishes titanium (gold and copper).



M SLIM

TOWEL WARMER

front view



** Products not provided by Foursteel.

MATERIAL stainless steel

FINISHINGS



POLISHED



BRUSHED



TEXTURED
BLACK



WHITE



RAL COLOUR

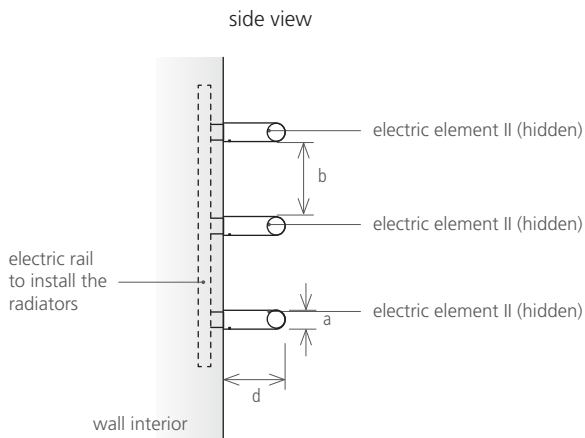
TITANIUM FINISH *



GOLD



COPPER



ACCESSORIES



MIMOO
SWITCH



DOMOTIC
TOUCH

model	MS3 600	additional elem.
no. of elements	3	1
height (mm) a	30	30
width between elements (mm) b	120	-
total width (mm) c	600	600
depth (mm) d	80	80
capacity (l)	3x0,6	0,6
electric (W)	3x40	40