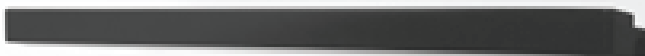


M SLIM SQUARE

TOWEL WARMER

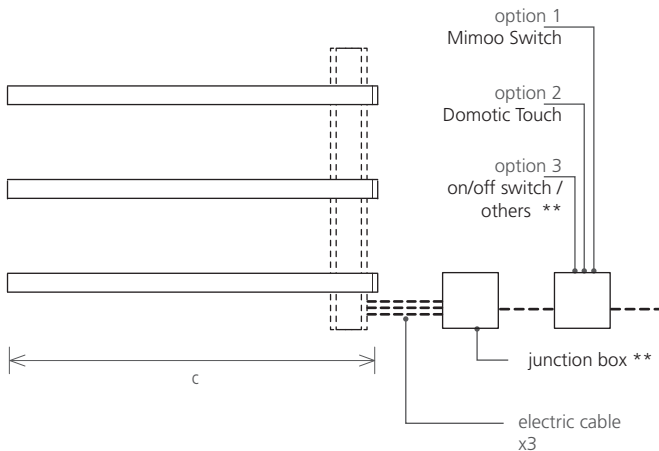
Minimalist towel warmer M Slim, available in stainless steel polished and brushed, ral colors and finishes titanium (gold and copper).



M SLIM SQUARE

TOWEL WARMER

front view



** Products not provided by Foursteel.

MATERIAL stainless steel

FINISHINGS



POLISHED



BRUSHED



TEXTURED
BLACK



WHITE



RAL COLOUR

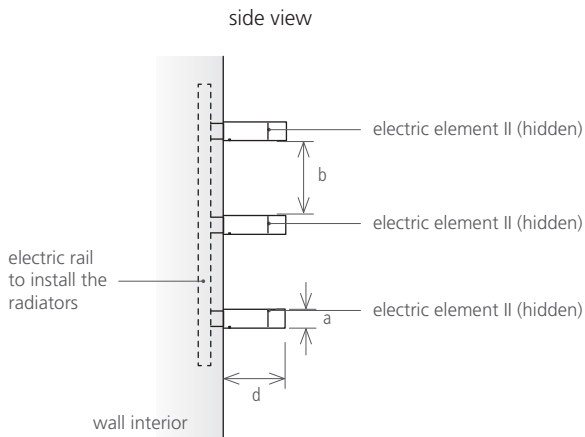
TITANIUM FINISH *



GOLD



COPPER



ACCESSORIES



MIMOO
SWITCH



DOMOTIC
TOUCH

	model	MSS3 600	additional elem.
no. of elements		3	1
height (mm)	a	30	30
width between elements (mm)	b	120	-
total width (mm)	c	600	600
depth (mm)	d	80	80
capacity (l)		3x0,6	0,6
electric (W)		3x40	40