

LAME SLIM

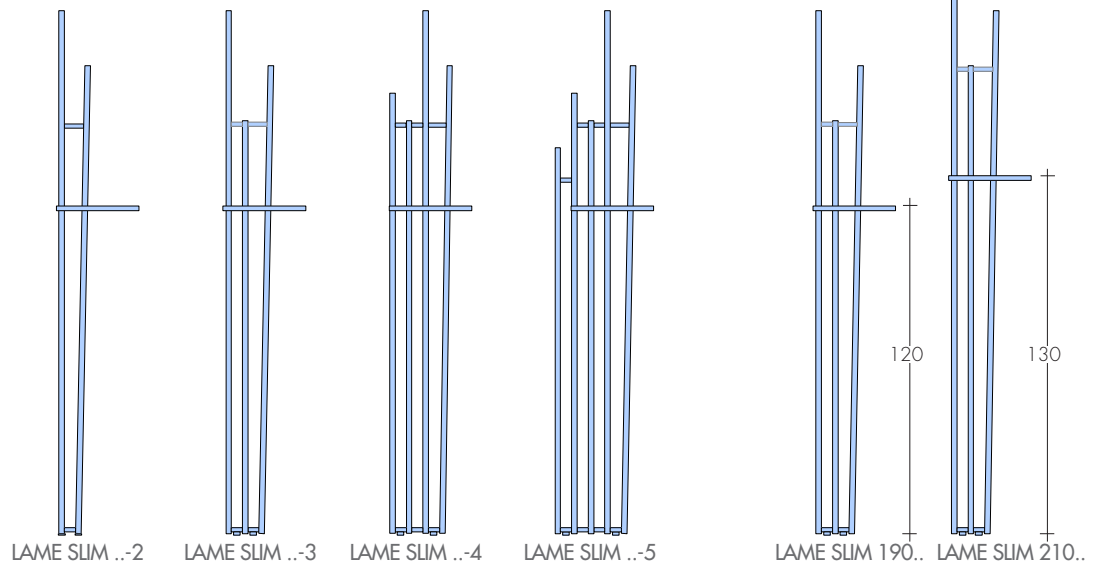
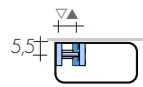
Straight, compact and high thickness fins that cut the uniformity of the wall express

a new concept for heated towel rails that enliven and furnish bathroom walls.

design Davide Brembilla
The unusual and absolutely unexpected shape is as surprising as good sculpture can be.

DIMENSIONS

Widths: 30 / 36 cm
Heights: 190 / 210 cm
Depths: 14,7 cm
Depths from wall: 15,7 cm

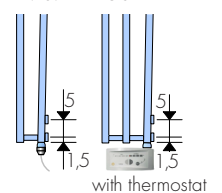


MODEL	H/L cm	white sablé standard €	EN 442 Δt 50 K watt	▲ ▼ t.c. cm	Height H cm	Width L cm	Weight M Kg	Volume V dm ³	MIXED VERSION E.H.E. class II with sleeve W	
									W	€
LAME Slim	190-2	551,30	350	6	190	30	10,8	4,7	400	106,20
LAME Slim	190-3	662,30	496	6	190	30	15,4	6,7	500	108,00
LAME Slim	190-4	773,00	652	12	190	30	20,2	8,8	650	109,90
LAME Slim	190-5	894,50	788	18	190	36	24,4	10,6	800	113,90
LAME Slim	210-2	583,90	389	6	210	30	12,0	5,2	400	106,20
LAME Slim	210-3	710,30	554	6	210	30	17,2	7,5	500	108,00
LAME Slim	210-4	836,20	730	12	210	30	22,6	9,9	800	109,90
LAME Slim	210-5	973,60	885	18	210	36	27,4	11,9	900	117,00

Extra towel bar Art. MAL 68,10 €

Digital Thermostat p.243

MIXED VERSIONS
Side fittings
t. c. ▲ ▼ 5cm



STANDARD PRODUCTION

White "sablé" paintwork - White brackets Art.131
Tolerance \pm 3mm - Air vent \varnothing 1/8"
MAXIMUM OPERATING PRESSURE 4 BAR

PRODUCTION ON REQUEST

Paintwork to Brem color list (colored brackets Art. 131V) +15/25%
Special fittings, page 292

STANDARD FITTING

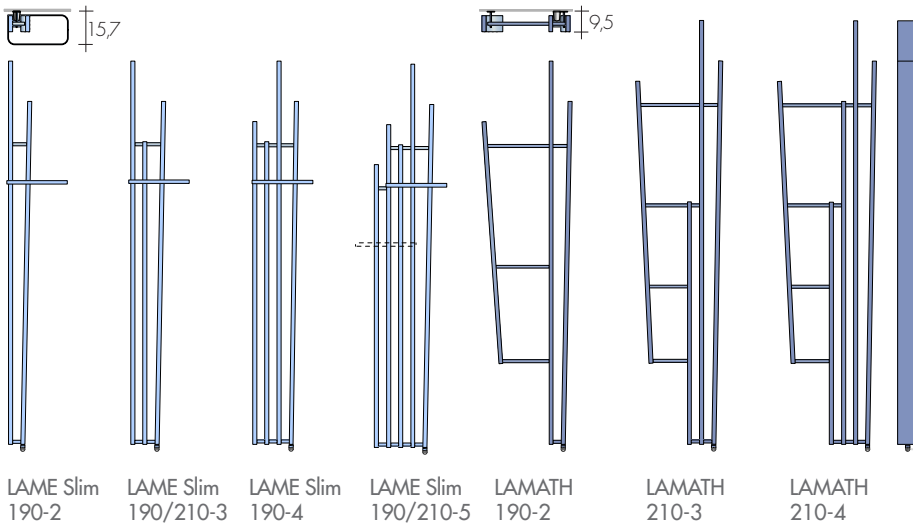
EG \varnothing 3/8"
BREM valves, page 294
Electric version e.Lame Slim, p.265



e.LAME SLIM - e.LAMATH

design Davide Brembilla

TECHNICAL DATA p. 64, 66
Other dimensions on request
ELECTRIC KIT DATA p. 244



TOWEL RAILS	+	chosen KIT	=	ELECTRIC TOWEL RAILS
standard white sablé or paint to Brem color list with extra		KIT RE Electric Heating Element KIT TE Digital Thermostat KIT RI Radio frequency receiver (thermostat excluded)		white sablé or paint to Brem color list with chosen KIT

MODEL	H - n° cm - el.	L cm	White	Colors	Colors	KIT RE	KIT TE	KIT RI Radio	Art.	€
			standard €	+15% €	+25% €	Heating element Art.	Digital thermostat Art.	frequency receiver Art.		
LAME Slim	190-2	30	551,30	634,00	689,10	R250IIE 162,00	R250IITE 222,50	R250IIRI 258,00		
LAME Slim	190-3	30	662,30	761,60	827,90	R400IIE 165,20	R400IITE 225,70	R400IIRI 261,30		
LAME Slim	190-5	36	894,50	1028,70	1118,10	R650IIE 188,20	R650IITE 248,70	R650IIRI 284,30		
LAME Slim	210-3	30	710,30	816,80	887,90	R500IIE 176,00	R500IITE 236,50	R500IIRI 272,10		
LAME Slim	210-4	30	836,20	961,60	1045,30	R650IIE 188,20	R650IITE 248,70	R650IIRI 284,30		
LAME Slim	210-5	36	973,60	1119,60	1217,00	R800IIE 203,00	R800IITE 263,50	R800IIRI 299,10		
Extra towel bar		Art. MAL	68,10€							
LAMATH	190-2	43	559,20	643,10	699,00	R500IIE 176,00	R500IITE 236,50	R500IIRI 272,10		
LAMATH	210-3	43	716,80	824,30	896,00	R650IIE 188,20	R650IITE 248,70	R650IIRI 284,30		
LAMATH	210-4	49,5	834,60	959,80	1043,30	R800IIE 203,00	R800IITE 263,50	R800IIRI 299,10		



wall recessed

Wall-mounted radio receiver (extra for KIT RI)
Art. SRP 13,00€



Radio programmable wall-mounted thermostat
Art. RHD 106,40€



Radio programmable thermostat Multi
Art. CTD 129,60€



HEATING ELEMENT POSITION
© Vertical Heating Element



KIT RE: Electric Heating Element Kit
Filling with diathermic liquid
Class II El. Heating Element with cable (150cm)
Chrome plated plug and wall mounting brackets.

KIT TE: Digital Thermostat Kit
Kit RE with digital thermostat:
- white for white towel rails,
- metal grey for coloured towel rails

KIT RI: Radio frequency box receiver Kit
Kit RE with radio frequency box receiver (wall-mounted receiver with extra). Add the chosen radio thermostat (it can control up to 12 radiators)