



# FRAME VERTICAL



EUROPEAN  
WARRANTY

## MATERIAL:

Horizontal collector in painted carbon steel with  $\varnothing$  of 30 mm  
Heating elements in painted carbon steel  
Heating plate in painted carbon steel

## FIXING KIT:

Brackets, airvent, hexagonal tool, plugs and screws for mounting suitable for use on compact or hollow brick, user notice.  
The kit is certified from TÜV in compliance with VDI 6036-class 4.

## PACKAGING:

The radiator is protected by a film in polyethylene and with a carton box.  
User notice included.

## PAINTING PROCESS:

Painted with ecological epoxy. (Certificate DIN 55900-1,-2).  
Thermal outputs certified in accredited laboratories in compliance with European norm EN442.

## COLOURS:

Radiator and accessories: standard white colour R01.

## PRODUCT CERTIFICATES



P. max: 5 bar

T. max: 110° C

Available for central heating systems

Connections: n° 2 x 1/2" gas - n° 1 x 1/8" gas

## HOW TO ORDER THE VERTICAL FRAME RADIATORS

### ARTICLE CODE STRUCTURE

Radiator model	Radiator dimensions	Article code of the connection	Article code of the color / finish Different color from standard (R01 - R02) surcharge +30%	Constant value
AAAA	BBB CC	DDD	EEE	B

### Example

Radiator model Example: Frame radiator	Radiator dimensions Example: mm 480x1832	Article code of the connection Example: connection V09	Article code of the finish Example: White color R01	Constant value
FRST	480 18	V09	R01	B

### EXAMPLE OF ARTICLE CODE CREATION

In case of a FRAME VT 480x1832 mm radiator with V09 connection.

The article code will be:

**FRST 480 18 V09 R01 B**

## ACCESSORIES



Elegant square manual valve kit painted pure white R01

Copper connection  $\varnothing$  12/14/15  
Art. Nr. 5991990310553

Multilayer connection  $\varnothing$  16  
Art. Nr. 5991990310552



Tinta valve pipe centres 50 mm with thermostatic head - right

Copper connection  $\varnothing$  12/14/15  
Art. Nr. 5991990311217

Multilayer connection  $\varnothing$  16  
Art. Nr. 5991990311216



Kit 3 Towel bar verniciati FOR MODELS

L. 368 (L= 404 mm)  
Art. Nr. 5991990310569

L. 480 (L= 516 mm)  
Art. Nr. 5991990310570

L. 592 (L= 628 mm)  
Art. Nr. 5991990310571

L. 704 (L= 740 mm)  
Art. Nr. 5991990310572

## LYNEA ACCESSORIES

by Marco Pisati



TOWEL BAR LEFT  
L. 274 mm

H30 Green Apple

Art. Nr. 5991990332190



Hook  
L. 180 mm x H. 270 mm

H30 Green Apple

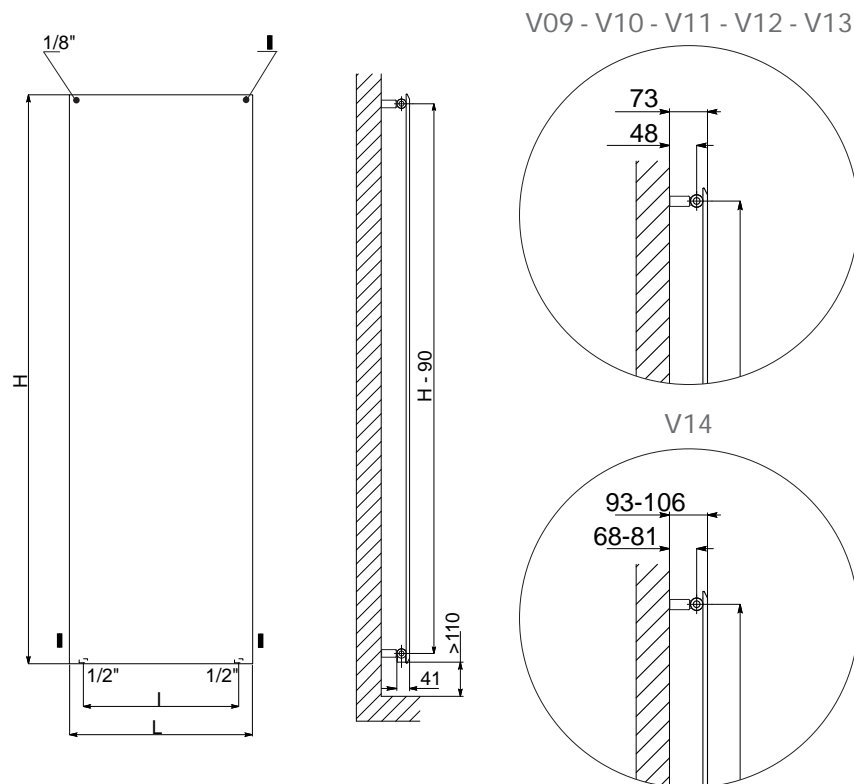
Art. Nr. 5991990310604



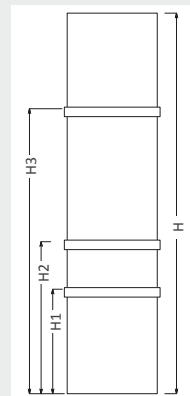
Wood shelf  
L. 286 mm

Oak Moka Textured

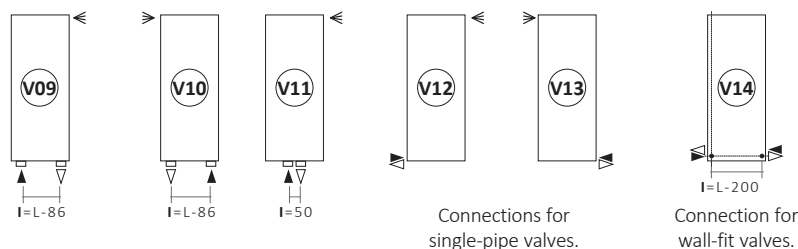
Art. Nr. 5991990500014

POSITIONING OF  
TOWEL BAR  
(ACCESSORIES)

H	H1	H2	H3
[mm]			
<b>1032</b>	300	500	800
<b>1232</b>	400	600	1000
<b>1432</b>	400	700	1200
<b>1632</b>	500	800	1300
<b>1832</b>	500	800	1400
<b>2032</b>	500	800	1500



## Standard Connections



Always specify the kind of connection needed when ordering (V09 - V10 - V11 - V12 - V13 - V14).

Legend =

▶ In      ▷ Out      ≪ Airvent  
 | Pipe Centres    L Width      □ Connection

## FRAME VERTICAL

DDD: replace with the type of connection.

Art. Nr.	Height		Width		Pipe Centres (V09 - V10) I [mm]	Pipe Centres (V14) I [mm]	Dry Weight [Kg]	Surface [m <sup>2</sup> ]	Thermal output Watt		Exponent n
	H [mm]	L [mm]	Δt = 50°C	Δt = 30°C							
FRST 368 10 DDD R01 B	<b>1032</b>	368	282	168	7,2	0,75	2,64	381	197	1,2894	
FRST 480 10 DDD R01 B		480	394	280	9,7	0,98	3,5	499	258	1,2894	
FRST 592 10 DDD R01 B		592	506	392	12	1,21	4,4	617	319	1,2894	
FRST 704 10 DDD R01 B		704	618	504	14,6	1,44	5,2	735	380	1,2894	
FRST 368 12 DDD R01 B	<b>1232</b>	368	282	168	8,6	0,89	3,02	455	236	1,2881	
FRST 480 12 DDD R01 B		480	394	280	11,4	1,17	4	596	309	1,2881	
FRST 592 12 DDD R01 B		592	506	392	14	1,44	5,1	736	381	1,2881	
FRST 704 12 DDD R01 B		704	618	504	17,2	1,72	6,1	877	454	1,2881	
FRST 368 14 DDD R01 B	<b>1432</b>	368	282	168	9,9	1,04	3,5	529	274	1,2867	
FRST 480 14 DDD R01 B		480	394	280	13,2	1,36	4,6	692	359	1,2867	
FRST 592 14 DDD R01 B		592	506	392	16,5	1,68	5,9	856	444	1,2867	
FRST 704 14 DDD R01 B		704	618	504	19,8	2,00	7,00	1020	529	1,2867	
FRST 368 16 DDD R01 B	<b>1632</b>	368	282	168	11,2	1,16	3,8	595	309	1,2854	
FRST 480 16 DDD R01 B		480	394	280	14,9	1,55	5,2	789	409	1,2854	
FRST 592 16 DDD R01 B		592	506	392	18,6	1,94	6,8	976	506	1,2854	
FRST 368 18 DDD R01 B	<b>1832</b>	368	282	168	12,5	1,33	4,37	676	351	1,2840	
FRST 480 18 DDD R01 B		480	394	280	16,6	1,74	5,8	880	457	1,2840	
FRST 592 18 DDD R01 B		592	506	392	20,9	2,15	7,2	1100	571	1,2840	
FRST 704 18 DDD R01 B	<b>2032</b>	704	618	504	25	2,56	8,7	1304	677	1,2840	
FRST 368 20 DDD R01 B		368	282	168	13,5	1,47	4,85	750	390	1,2826	
FRST 480 20 DDD R01 B		480	394	280	18,4	1,93	6,4	978	508	1,2826	
FRST 592 20 DDD R01 B		592	506	392	23	2,38	8	1222	635	1,2826	
FRST 704 20 DDD R01 B		704	618	504	27,6	2,84	9,6	1447	751	1,2826	

Art. Nr. are referred to colour WHITE R01 version.

For output at different Δt than 50°C, please refer to the following formula: desired output = output at Δt 50°C x (desired Δt/50)<sup>n</sup>



# FRAME PLUS VERTICAL



EUROPEAN  
WARRANTY

## MATERIAL:

Horizontal collector in painted carbon steel with  $\varnothing$  of 30 mm  
Heating elements in painted carbon steel  
Heating plate in painted carbon steel

## FIXING KIT:

Brackets, airvent, hexagonal tool, plugs and screws for mounting suitable for use on compact or hollow brick, user notice.

## PACKAGING:

The radiator is protected by a film in polyethylene and with a carton box.  
User notice included.

## PAINTING PROCESS:

Painted with ecological epoxy. (Certificate DIN 55900-1,-2).  
Thermal outputs certified in accredited laboratories in compliance with European norm EN442.

## COLOURS:

Radiator and accessories: standard white colour R01.

## PRODUCT CERTIFICATES



P. max: 5 bar

T. max: 110° C

Available for central heating systems

Connections: n° 2 x 1/2" gas - n° 1 x 1/8" gas

## HOW TO ORDER THE VERTICAL FRAME PLUS RADIATORS

### ARTICLE CODE STRUCTURE

Radiator model	Radiator dimensions	Article code of the connection	Article code of the color / finish Different color from standard (R01 - R02) surcharge +30%	Constant value
AAAA	BBB CC	DDD	EEE	B

### Example

Radiator model Example: Frame radiator Plus	Radiator dimensions Example: mm 480x1832	Article code of the connection Example: connection V09	Article code of the finish Example: White color R01	Constant value
FRPL	480 18	V09	R01	B

### EXAMPLE OF ARTICLE CODE CREATION

In case of a FRAME PLUS VT 480x1832 mm radiator with V09 connection.

The article code will be:

**FRPL 48018 V09 R01 B**

## ACCESSORIES



Elegant square manual valve kit painted pure white R01

Copper connection  $\varnothing$  12/14/15  
Art. Nr. 5991990310553

Multilayer connection  $\varnothing$  16  
Art. Nr. 5991990310552



Tinta valve pipe centres 50 mm with thermostatic head - right

Copper connection  $\varnothing$  12/14/15  
Art. Nr. 5991990311217

Multilayer connection  $\varnothing$  16  
Art. Nr. 5991990311216



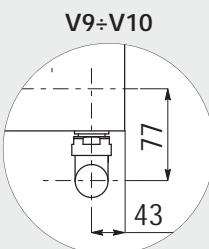
Towel bar verniciato FOR MODELS

L. 368 (L= 404 mm)  
Art. Nr. 5991990310565

L. 480 (L= 516 mm)  
Art. Nr. 5991990310566

L. 592 (L= 628 mm)  
Art. Nr. 5991990310567

L. 704 (L= 740 mm)  
Art. Nr. 5991990310568



V9÷V10

Measures for Elegant square manual valve



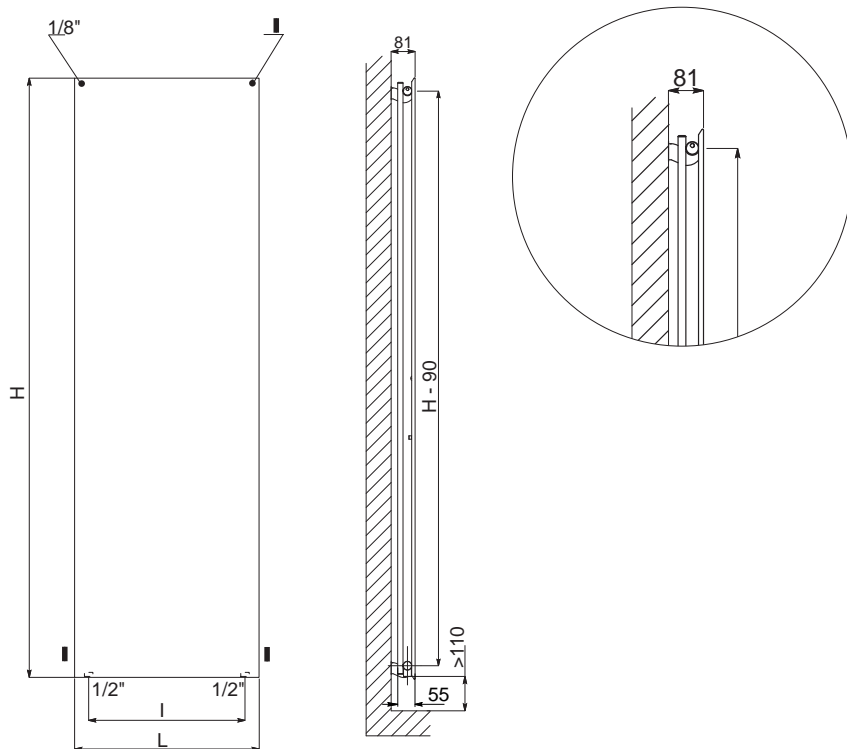
Kit 3 Towel bar verniciati FOR MODELS

L. 368 (L= 404 mm)  
Art. Nr. 5991990310569

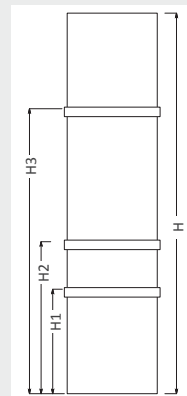
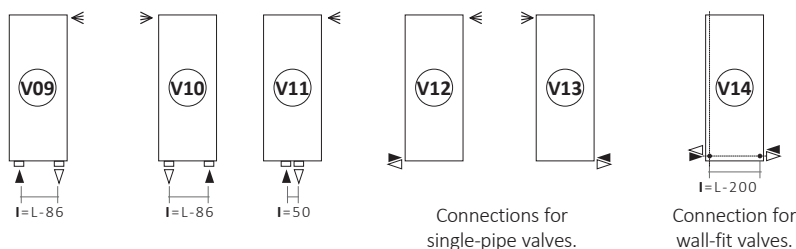
L. 480 (L= 516 mm)  
Art. Nr. 5991990310570

L. 592 (L= 628 mm)  
Art. Nr. 5991990310571

L. 704 (L= 740 mm)  
Art. Nr. 5991990310572

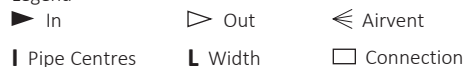

**POSITIONING OF  
TOWEL BAR  
(ACCESSORIES)**

H	H1	H2	H3
[mm]			
<b>1032</b>	300	500	800
<b>1232</b>	400	600	1000
<b>1432</b>	400	700	1200
<b>1632</b>	500	800	1300
<b>1832</b>	500	800	1400
<b>2032</b>	500	800	1500


**Standard Connections**


Always specify the kind of connection needed when ordering (V09 - V10 - V11 - V12 - V13 - V14).

Legend =


**FRAME PLUS VERTICAL**

**DDD:** replace with the type of connection.

Art. Nr.	Height	Width	Pipe Centres (V09 - V10)	Pipe Centres (V14)	Dry Weight [Kg]	Surface [m <sup>2</sup> ]	Water Content [lt]	Thermal output Watt		Exponent n
	H [mm]	L [mm]	I [mm]	I [mm]				Δt = 50°C	Δt = 30°C	
FRPL 368 10 DDD R01 B	<b>1032</b>	368	282	168	14,3	1,35	4,5	580	296	1,3152
FRPL 480 10 DDD R01 B		480	394	280	20,2	1,84	6,3	790	404	1,3152
FRPL 592 10 DDD R01 B		592	506	392	25,0	2,32	7,8	999	510	1,3152
FRPL 704 10 DDD R01 B		704	618	504	28,6	2,81	9,0	1209	618	1,3152
FRPL 368 12 DDD R01 B	<b>1232</b>	368	282	168	17,1	1,61	5,3	691	353	1,31355
FRPL 480 12 DDD R01 B		480	394	280	24,1	2,19	7,5	940	481	1,31355
FRPL 592 12 DDD R01 B		592	506	392	29,8	2,77	9,3	1190	608	1,31355
FRPL 704 12 DDD R01 B		704	618	504	34,2	3,35	10,7	1439	736	1,31355
FRPL 368 14 DDD R01 B	<b>1432</b>	368	282	168	19,9	1,86	6,2	801	415	1,2867
FRPL 480 14 DDD R01 B		480	394	280	28,0	2,54	8,8	1091	565	1,2867
FRPL 592 14 DDD R01 B		592	506	392	34,7	3,21	10,8	1381	716	1,2867
FRPL 704 14 DDD R01 B		704	618	504	39,7	3,88	12,4	1670	865	1,2867
FRPL 368 16 DDD R01 B	<b>1632</b>	368	282	168	23,9	2,17	7,5	930	476	1,3117
FRPL 480 16 DDD R01 B		480	394	280	31,9	2,89	10,0	1241	635	1,3117
FRPL 592 16 DDD R01 B		592	506	392	39,8	3,61	12,5	1551	794	1,3117
FRPL 368 18 DDD R01 B	<b>1832</b>	368	282	168	25,4	2,38	7,9	1022	523	1,3105
FRPL 480 18 DDD R01 B		480	394	280	35,7	3,24	11,2	1455	745	1,3105
FRPL 592 18 DDD R01 B		592	506	392	45,1	4,10	13,7	1819	931	1,3105
FRPL 704 18 DDD R01 B		704	618	504	50,8	4,96	15,9	2132	1092	1,3105
FRPL 368 20 DDD R01 B	<b>2032</b>	368	282	168	28,2	2,63	8,8	1133	580	1,3093
FRPL 480 20 DDD R01 B		480	394	280	39,5	3,59	12,3	1568	803	1,3093
FRPL 592 20 DDD R01 B		592	506	392	49,9	4,54	15,0	1960	1004	1,3093
FRPL 704 20 DDD R01 B		704	618	504	56,4	5,49	17,6	2363	1211	1,3093

Art. Nr. are referred to colour WHITE R01 version.

For output at different Δt than 50°C, please refer to the following formula: desired output = output at Δt 50°C x (desired Δt/50)<sup>n</sup>



# FRAME ELECTRIC



EUROPEAN WARRANTY

### MATERIAL:

Vertical collectors in painted carbon steel with  $\varnothing$  of 30 mm  
Heating elements in painted carbon steel  
Heating plate in painted carbon steel  
Glycolate water

### FIXING KIT:

Brackets, hexagonal tool, plugs and screws for mounting suitable for use on compact or hollow brick, user notice.  
The kit is certified from TÜV in compliance with VDI 6036-class 4.

### PACKAGING:

The radiator is protected by a film in polyethylene and with a carton box.  
User notice included.

### PAINTING PROCESS:

Painted with ecological epoxy. (Certificate DIN 55900-1,-2).

### COLOURS:

Radiator and accessories: standard white colour R01.

## PRODUCT CERTIFICATES



Electrical resistors: CLASS 1

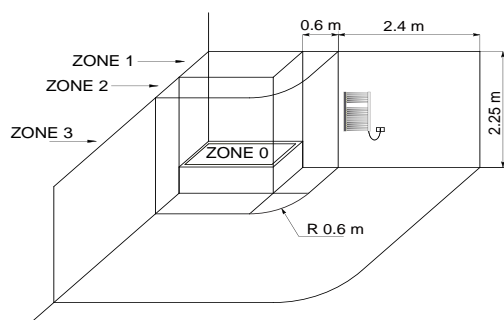
Minimum class protection: IP 44

Seasonal energy efficiency  $\eta_s$ : 39%

Wire Length: 1200 mm with Schuko plug

Electrical only: With digital thermostat and remote control

## HOW TO PLACE ELECTRIC RADIATORS



The national rules on installing electrical equipment in the bathroom must be scrupulously respected. The electric radiators must be always installed outside zone 1 and 2. In particular the electric switch and control elements must be mandatorily located in zone 3, in order that no electrical control center is accessible to a anyone using the shower or bath.



All Cordivari electric radiators are in line with the new European regulation UE 2015/1188. The new regulation imposes a seasonal energy efficiency of electrical appliances for ambient heating with a nominal thermal output over 250 W and not less than 38%.

The seasonal energy efficiency of ambient heating ( $\eta_s$ ) is expressed with the ratio between the demand of ambient heating supplied by a heating appliance and the annual energy consumption required to meet this demand, expressed as percentage. The Cordivari ErP is in line with the new Ecodesign directives, which are characterized by a great efficiency combined with the maximum attention to energy saving. In particular the radiators are at least equipped with: electronic temperature control; open window sensor; weekly program timer.

Thanks to the new fully programmable digital thermostats and sensors present on the radiators, now the new Cordivari ErP electric radiators, heat, efficiency and energy saving are the best allies of your comfort.

## INCLUDED



Remote control for top digital thermostat

### MAIN FEATURES AND FUNCTIONS:

CRONO: function of chrono-thermostat with daily or weekly programming with two temperature levels (Comfort/Eco)

COMFORT: Possibility of setting your own desired temperature for time slot for higher comfort

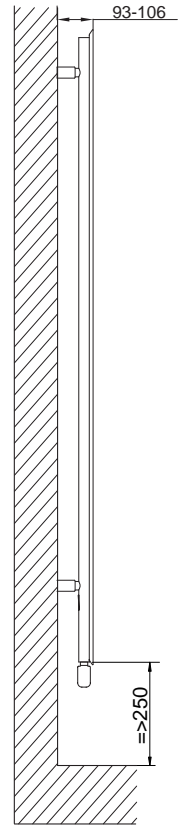
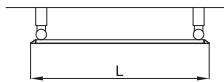
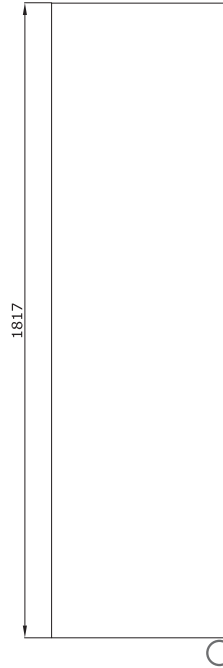
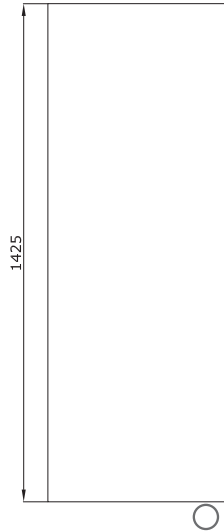
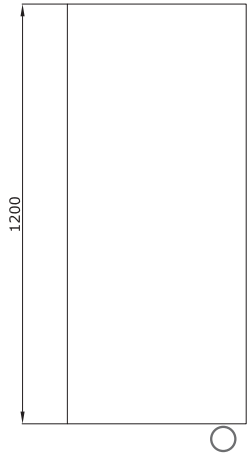
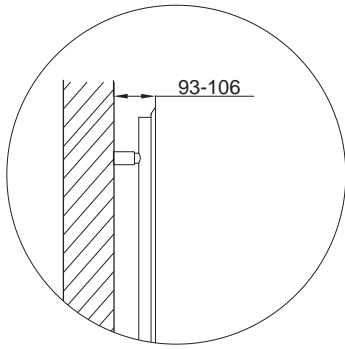
ECO: Possibility of keeping the temperature constant with lower power consumption. Useful for energy saving when the room is not occupied.

ANTI-FREEZE: Useful if the room is not used for long periods

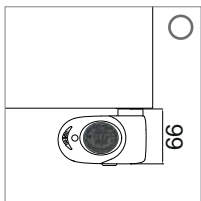
TIMER/FORCED MARCH: Useful to heat rapidly the room and dry towels thanks to 2h of forced march at max. Power.

CHILD SAFETY LOCK: special purpose lock of the display panel so to avoid any accidental alteration

REMOTE CONTROL (optional): The digital thermostat is equipped with an infrared remote control useful to manage all the aforementioned functions.



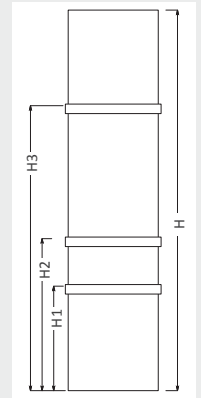
### TOP DIGITAL THERMOSTAT



The general footprint has to be calculated considering the thermostat height

### POSITIONING OF TOWEL BAR (ACCESSORIES)

H	H1	H2	H3
[mm]			
<b>1201</b>	430	630	1030
<b>1425</b>	430	730	1230
<b>1817</b>	530	830	1230



### FRAME ELECTRIC

Art. Nr.	Height	Width	Thermal output	Weight
	H [mm]	L [mm]	Watt	[Kg]
KIT - DIGITAL THERMOSTAT				
3605556100001	<b>1201</b>	511	700	23
3605556100002	<b>1425</b>	511	900	26
3605556100003	<b>1425</b>	561	1000	29
3605556100004	<b>1817</b>	561	1200	37

Art. Nr. are referred to colour WHITE R01 version.



# FRAME HORIZONTAL



EUROPEAN  
WARRANTY

## MATERIAL:

Vertical collectors in painted carbon steel with  $\varnothing$  of 30 mm  
Heating elements in painted carbon steel  
Heating plate in painted carbon steel

## FIXING KIT:

Brackets, airvent, hexagonal tool, plugs and screws for mounting suitable for use on compact or hollow brick, user notice.  
The kit is certified from TÜV in compliance with VDI 6036-class 4.

## PACKAGING:

The radiator is protected by a film in polyethylene and with a carton box.  
User notice included.

## PAINTING PROCESS:

Painted with ecological epoxy. (Certificate DIN 55900-1,-2).  
Thermal outputs certified in accredited laboratories in compliance with European norm EN442.

## COLOURS:

Radiator and accessories: standard white colour R01.

## PRODUCT CERTIFICATES



P. max: 5 bar

T. max: 110° C

Available for central heating systems

Connections: n° 2 x 1/2" gas - n° 1 x 1/2" gas

## HOW TO ORDER THE HORIZONTAL FRAME RADIATORS

### ARTICLE CODE STRUCTURE

Radiator model	Radiator dimensions	Article code of the connection	Article code of the color / finish Different color from standard (R01 - R02) surcharge +30%	Constant value
AAAA	BBB CC	DDD	EEE	B

### Example

Radiator model Example: Frame radiator	Radiator dimensions Example: mm 480x1832	Article code of the connection Example: connection H01	Article code of the finish Example: White color R01	Constant value
FRST	480 18	H01	R01	B

### EXAMPLE OF ARTICLE CODE CREATION

In case of a FRAME OR white 480x1832 mm, with H01 connection.

The article code will be:

**FRST 480 18 H01 R01 B**

## ACCESSORIES



Elegant square manual valve kit painted pure white R01

Copper connection  $\varnothing$  12/14/15  
Art. Nr. 5991990310553

Multilayer connection  $\varnothing$  16  
Art. Nr. 5991990310552



Tinta valve pipe centres 50 mm with thermostatic head - right

Copper connection  $\varnothing$  12/14/15  
Art. Nr. 5991990311217

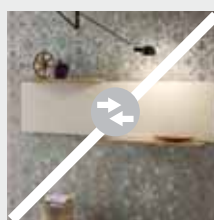
Multilayer connection  $\varnothing$  16  
Art. Nr. 5991990311216

FRAME HORIZONTAL with wall-fit valves



## LYNEA ACCESSORIES

by Marco Pisati



TOP wood shelf L. 800 mm

Whitened Oak

Art. Nr. 5991990500031

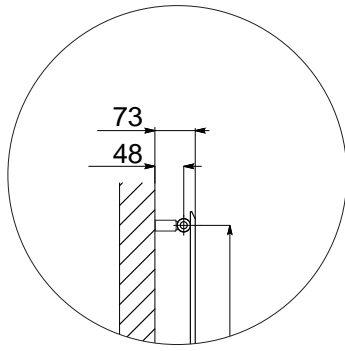
BOTTOM wood shelf L. 800 mm

Whitened Oak

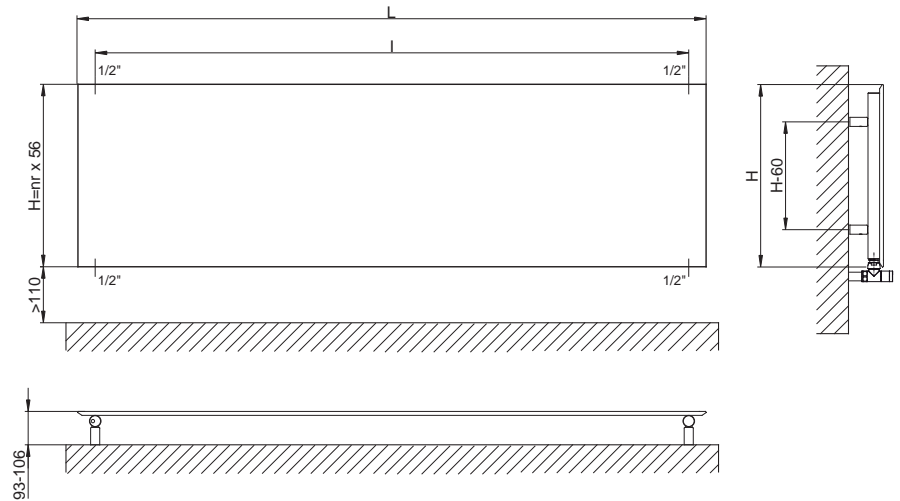
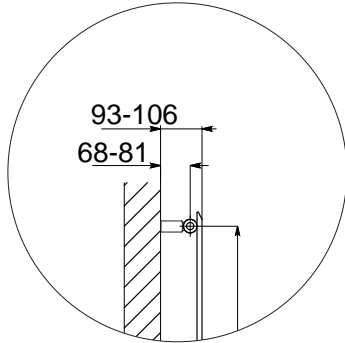
Art. Nr. 5991990500034

Adjustable shelves

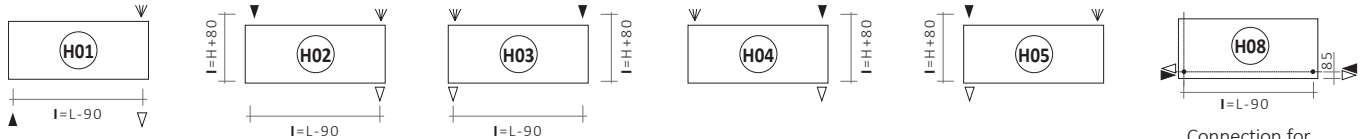
H01 - H02 - H03 - H04 - H05



H08



Standard Connections



Connection for wall-fit valves.

Always specify the kind of connection needed when ordering (da H1 a H8).

Legend = ► In ◄ Out ◀ Airvent H Height I Pipe Centres L Width □ Connection

FRAME HORIZONTAL

DDD: replace with the type of connection.

Art. Nr.	Width L [mm]	Height H [mm]	Pipe Centres (H01-H02- H03-H08) I [mm]	Dry Weight [Kg]	Surface [m <sup>2</sup> ]	Water Content [lt]	Thermal output Watt		Exponent n
							Δt = 50°C	Δt = 30°C	
FRST 368 10 DDD R01 B	1032	368	942	7,2	0,75	2,64	381	197	1,2894
FRST 480 10 DDD R01 B		480	942	9,7	0,98	3,5	499	258	1,2894
FRST 592 10 DDD R01 B		592	942	12,0	1,21	4,4	617	319	1,2894
FRST 704 10 DDD R01 B		704	942	14,6	1,44	5,2	735	380	1,2894
FRST 368 12 DDD R01 B	1232	368	1142	8,6	0,89	3,02	455	236	1,2881
FRST 480 12 DDD R01 B		480	1142	11,4	1,17	4,0	596	309	1,2881
FRST 592 12 DDD R01 B		592	1142	14,0	1,44	5,1	736	381	1,2881
FRST 704 12 DDD R01 B		704	1142	17,2	1,72	6,1	877	454	1,2881
FRST 368 14 DDD R01 B	1432	368	1342	9,9	1,04	3,5	529	274	1,2867
FRST 480 14 DDD R01 B		480	1342	13,2	1,36	4,6	692	359	1,2867
FRST 592 14 DDD R01 B		592	1342	16,5	1,68	5,9	856	444	1,2867
FRST 704 14 DDD R01 B		704	1342	19,8	2,00	7,0	1020	529	1,2867
FRST 368 16 DDD R01 B	1632	368	1542	11,2	1,16	3,8	595	309	1,2854
FRST 480 16 DDD R01 B		480	1542	14,9	1,55	5,2	789	409	1,2854
FRST 592 16 DDD R01 B		592	1542	18,6	1,94	6,8	976	506	1,2854
FRST 368 18 DDD R01 B	1832	368	1742	12,5	1,33	4,37	676	351	1,2840
FRST 480 18 DDD R01 B		480	1742	16,6	1,74	5,8	880	457	1,2840
FRST 592 18 DDD R01 B		592	1742	20,9	2,15	7,2	1100	571	1,2840
FRST 704 18 DDD R01 B		704	1742	25,0	2,56	8,7	1304	677	1,2840
FRST 368 20 DDD R01 B	2032	368	1942	13,5	1,47	4,85	750	390	1,2826
FRST 480 20 DDD R01 B		480	1942	18,4	1,93	6,4	978	508	1,2826
FRST 592 20 DDD R01 B		592	1942	23,0	2,38	8,0	1222	635	1,2826
FRST 704 20 DDD R01 B		704	1942	27,6	2,84	9,6	1447	751	1,2826

Art. Nr. are referred to colour WHITE R01 version.

For output at different Δt than 50°C, please refer to the following formula: desired output = output at Δt 50°C x (desired Δt/50)<sup>n</sup>