



# FRAME INOX VERTICAL



EUROPEAN  
WARRANTY

## MATERIAL:

Horizontal collector in painted carbon steel with  $\varnothing$  of 30 mm.  
Heating elements in painted carbon steel.  
Heating plate in polished stainless steel.

## FIXING KIT:

Brackets, airvent, hexagonal tool, plugs and screws for mounting suitable for use on compact or hollow brick, user notice.  
The kit is certified from TÜV in compliance with VDI 6036-class 4.

## PACKAGING:

The radiator is protected by a film in polyethylene and with a carton box.  
User notice included.

## FEATURES:

Heating plate is totally made in stainless steel with an unalterable finishing.  
Brightness guaranteed during the years.

## PRODUCT CERTIFICATES



P. max: 5 bar

T. max: 110° C

Available for central heating systems

Connections: n° 2 x 1/2" gas - n° 1 x 1/8" gas

## HOW TO ORDER THE VERTICAL FRAME INOX RADIATORS

### ARTICLE CODE STRUCTURE

| Radiator model | Radiator dimensions | Article code of the connection | Article code of the color / finish | Constant value |
|----------------|---------------------|--------------------------------|------------------------------------|----------------|
| AAAA           | BBB CC              | DDD                            | EEE                                | B              |

### Example

| Radiator model<br>Example: Frame radiator | Radiator dimensions<br>Example: mm 480x1832 | Article code of the connection<br>Example: connection V09 | Article code of the finish<br>Example: Polished stainless steel | Constant value |
|-------------------------------------------|---------------------------------------------|-----------------------------------------------------------|-----------------------------------------------------------------|----------------|
| FRST                                      | 480 18                                      | V09                                                       | X01                                                             | B              |

### EXAMPLE OF ARTICLE CODE CREATION

In case of a FRAME INOX VT 480x1832 mm radiator with V09 connection.

The article code will be:

**FRST 480 18 V09 X01 B**

## ACCESSORIES



### Elegant square manual polished valve kit

Copper connection  $\varnothing$  12/14/15  
Art. Nr. 5991990301084

Multilayer connection  $\varnothing$  16  
Art. Nr. 5991990301083



### Elegant square polished valve kit pipe centres 50 mm with thermostatic head - right

Copper connection  $\varnothing$  12/14/15  
Art. Nr. 5991990301076

Multilayer connection  $\varnothing$  16  
Art. Nr. 5991990301075



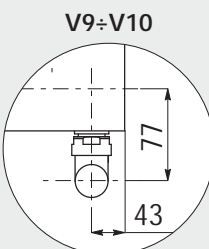
### Straight hanger polished FOR MODELS

L. 368 (L= 404 mm)  
Art. Nr. 5991990300187

L. 480 (L= 516 mm)  
Art. Nr. 5991990300183

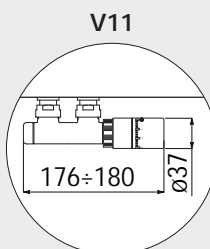
L. 592 (L= 628 mm)  
Art. Nr. 5991990300184

L. 704 (L= 740 mm)  
Art. Nr. 5991990300188



V9÷V10

Measures for Elegant square manual valve



V11

Measures for valves type Cordivari Elegant Square with thermostatic head and pipe centres 50 mm



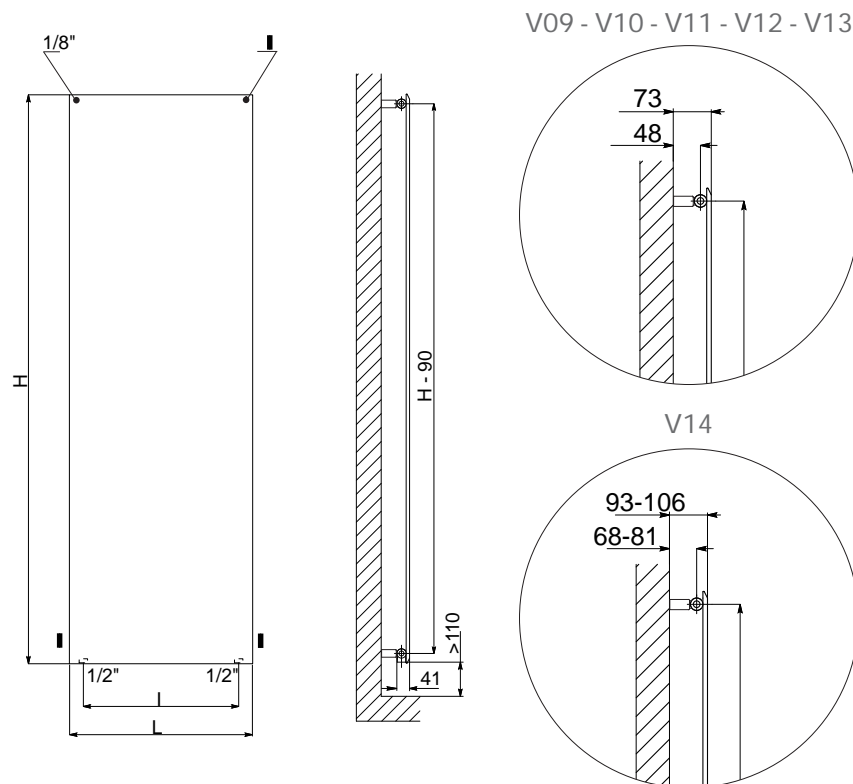
### Kit 3 Straight hanger polished FOR MODELS

L. 368 (L= 404 mm)  
Art. Nr. 5991990300189

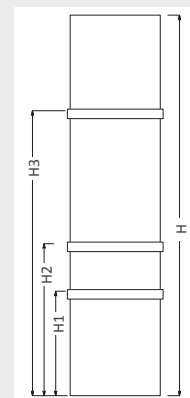
L. 480 (L= 516 mm)  
Art. Nr. 5991990300185

L. 592 (L= 628 mm)  
Art. Nr. 5991990300186

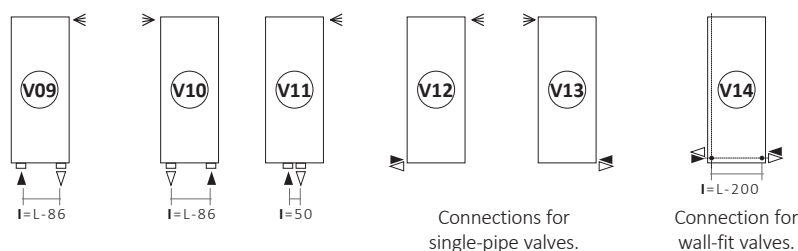
L. 704 (L= 740 mm)  
Art. Nr. 5991990300190

POSITIONING OF  
TOWEL BAR  
(ACCESSORIES)

| H           | H1  | H2  | H3   |
|-------------|-----|-----|------|
| [mm]        |     |     |      |
| <b>1032</b> | 300 | 500 | 800  |
| <b>1232</b> | 400 | 600 | 1000 |
| <b>1432</b> | 400 | 700 | 1200 |
| <b>1632</b> | 500 | 800 | 1300 |
| <b>1832</b> | 500 | 800 | 1400 |
| <b>2032</b> | 500 | 800 | 1500 |

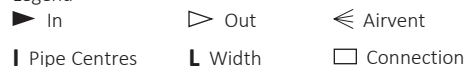


## Standard Connections



Always specify the kind of connection needed when ordering (V09 - V10 - V11 - V12 - V13 - V14).

Legend =



## FRAME INOX VERTICAL - POLISHED STAINLESS STEEL

DDD: replace with the type of connection.

| Art. Nr.              | Height      | Width  | Pipe Centres (V09 - V10) | Pipe Centres (V14) | Dry Weight | Surface | Water Content | Thermal output Watt |           | Exponent n |
|-----------------------|-------------|--------|--------------------------|--------------------|------------|---------|---------------|---------------------|-----------|------------|
|                       | H [mm]      | L [mm] | I [mm]                   | I [mm]             |            |         |               | Δt = 50°C           | Δt = 30°C |            |
| FRST 368 10 DDD X01 B | <b>1032</b> | 368    | 282                      | 168                | 7,2        | 0,75    | 2,64          | 381                 | 197       | 1,2894     |
| FRST 480 10 DDD X01 B |             | 480    | 394                      | 280                | 9,7        | 0,98    | 3,5           | 499                 | 258       | 1,2894     |
| FRST 592 10 DDD X01 B |             | 592    | 506                      | 392                | 12         | 1,21    | 4,4           | 617                 | 319       | 1,2894     |
| FRST 704 10 DDD X01 B |             | 704    | 618                      | 504                | 14,6       | 1,44    | 5,2           | 735                 | 380       | 1,2894     |
| FRST 368 12 DDD X01 B | <b>1232</b> | 368    | 282                      | 168                | 8,6        | 0,89    | 3,02          | 455                 | 236       | 1,2881     |
| FRST 480 12 DDD X01 B |             | 480    | 394                      | 280                | 11,4       | 1,17    | 4             | 596                 | 309       | 1,2881     |
| FRST 592 12 DDD X01 B |             | 592    | 506                      | 392                | 14         | 1,44    | 5,1           | 736                 | 381       | 1,2881     |
| FRST 704 12 DDD X01 B |             | 704    | 618                      | 504                | 17,2       | 1,72    | 6,1           | 877                 | 454       | 1,2881     |
| FRST 368 14 DDD X01 B | <b>1432</b> | 368    | 282                      | 168                | 9,9        | 1,04    | 3,5           | 529                 | 274       | 1,2867     |
| FRST 480 14 DDD X01 B |             | 480    | 394                      | 280                | 13,2       | 1,36    | 4,6           | 692                 | 359       | 1,2867     |
| FRST 592 14 DDD X01 B |             | 592    | 506                      | 392                | 16,5       | 1,68    | 5,9           | 856                 | 444       | 1,2867     |
| FRST 704 14 DDD X01 B |             | 704    | 618                      | 504                | 19,8       | 2,00    | 7,00          | 1020                | 529       | 1,2867     |
| FRST 368 16 DDD X01 B | <b>1632</b> | 368    | 282                      | 168                | 11,2       | 1,16    | 3,8           | 595                 | 309       | 1,2854     |
| FRST 480 16 DDD X01 B |             | 480    | 394                      | 280                | 14,9       | 1,55    | 5,2           | 789                 | 409       | 1,2854     |
| FRST 592 16 DDD X01 B |             | 592    | 506                      | 392                | 18,6       | 1,94    | 6,8           | 976                 | 506       | 1,2854     |
| FRST 368 18 DDD X01 B | <b>1832</b> | 368    | 282                      | 168                | 12,5       | 1,33    | 4,37          | 676                 | 351       | 1,2840     |
| FRST 480 18 DDD X01 B |             | 480    | 394                      | 280                | 16,6       | 1,74    | 5,8           | 880                 | 457       | 1,2840     |
| FRST 592 18 DDD X01 B |             | 592    | 506                      | 392                | 20,9       | 2,15    | 7,2           | 1100                | 571       | 1,2840     |
| FRST 704 18 DDD X01 B |             | 704    | 618                      | 504                | 25         | 2,56    | 8,7           | 1304                | 677       | 1,2840     |
| FRST 368 20 DDD X01 B | <b>2032</b> | 368    | 282                      | 168                | 13,5       | 1,47    | 4,85          | 750                 | 390       | 1,2826     |
| FRST 480 20 DDD X01 B |             | 480    | 394                      | 280                | 18,4       | 1,93    | 6,4           | 978                 | 508       | 1,2826     |
| FRST 592 20 DDD X01 B |             | 592    | 506                      | 392                | 23         | 2,38    | 8             | 1222                | 635       | 1,2826     |
| FRST 704 20 DDD X01 B |             | 704    | 618                      | 504                | 27,6       | 2,84    | 9,6           | 1447                | 751       | 1,2826     |

For output at different Δt than 50°C, please refer to the following formula: desired output = output at Δt 50°C x (desired Δt/50)<sup>n</sup>



# FRAME INOX PLUS VERTICAL



EUROPEAN  
WARRANTY

## MATERIAL:

Horizontal collector in painted carbon steel with  $\varnothing$  of 30 mm  
Heating elements in painted carbon steel  
Heating plate in polished stainless steel

## FIXING KIT:

Brackets, airvent, hexagonal tool, plugs and screws for mounting suitable for use on compact or hollow brick, user notice.

## PACKAGING:

The radiator is protected by a film in polyethylene and with a carton box.  
User notice included.

## FEATURES:

Heating plate is totally made in stainless steel with an unalterable finishing.  
Brightness guaranteed during the years.

## PRODUCT CERTIFICATES



P. max: 5 bar

T. max: 110° C

Available for central heating systems

Connections: n° 2 x 1/2" gas - n° 1 x 1/8" gas

## HOW TO ORDER THE VERTICAL FRAME INOX PLUS RADIATORS

### ARTICLE CODE STRUCTURE

| Radiator model | Radiator dimensions | Article code of the connection | Article code of the color / finish | Constant value |
|----------------|---------------------|--------------------------------|------------------------------------|----------------|
| AAAA           | BBB CC              | DDD                            | EEE                                | B              |

### Example

| Radiator model               | Radiator dimensions  | Article code of the connection | Article code of the finish        | Constant value |
|------------------------------|----------------------|--------------------------------|-----------------------------------|----------------|
| Example: Frame radiator Plus | Example: mm 480x1832 | Example: connection V09        | Example: Polished stainless steel |                |
| FRPL                         | 480 18               | V09                            | X01                               | B              |

### EXAMPLE OF ARTICLE CODE CREATION

In case of a FRAME INOX PLUS VT 480x1832 mm radiator with V09 connection.

The article code will be:

**FRPL 48018 V09 X01 B**

## ACCESSORIES



### Elegant square manual polished valve kit

Copper connection  $\varnothing$  12/14/15  
Art. Nr. 5991990301084

Multilayer connection  $\varnothing$  16  
Art. Nr. 5991990301083



### Elegant square polished valve kit pipe centres 50 mm with thermostatic head - right

Copper connection  $\varnothing$  12/14/15  
Art. Nr. 5991990301076

Multilayer connection  $\varnothing$  16  
Art. Nr. 5991990301075



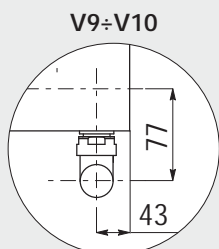
### Straight hanger polished FOR MODELS

L. 368 (L= 404 mm)  
Art. Nr. 5991990300187

L. 480 (L= 516 mm)  
Art. Nr. 5991990300183

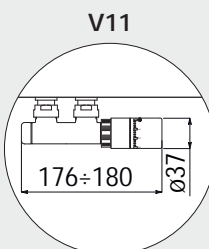
L. 592 (L= 628 mm)  
Art. Nr. 5991990300184

L. 704 (L= 740 mm)  
Art. Nr. 5991990300188



V9÷V10

Measures for Elegant square manual valve



V11

Measures for valves type Cordivari Elegant Square with thermostatic head and pipe centres 50 mm



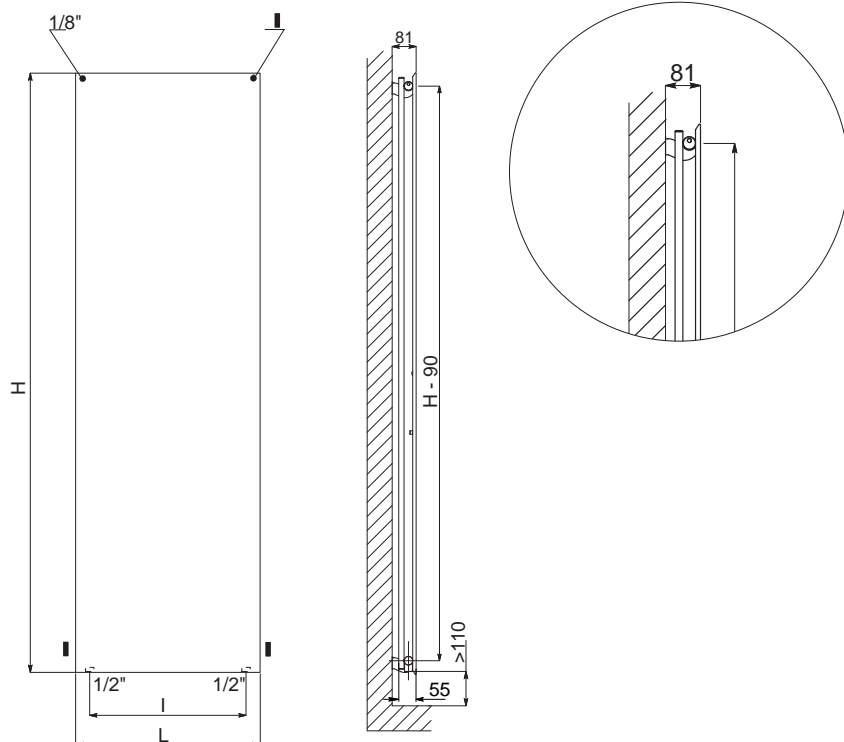
### Kit 3 Straight hanger polished FOR MODELS

L. 368 (L= 404 mm)  
Art. Nr. 5991990300189

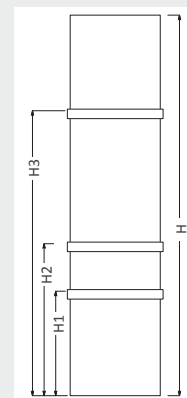
L. 480 (L= 516 mm)  
Art. Nr. 5991990300185

L. 592 (L= 628 mm)  
Art. Nr. 5991990300186

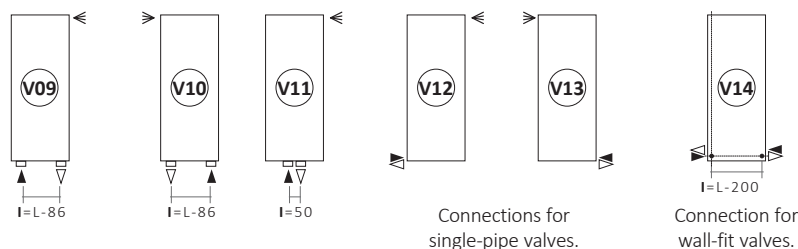
L. 704 (L= 740 mm)  
Art. Nr. 5991990300190

POSITIONING OF  
TOWEL BAR  
(ACCESSORIES)

| H           | H1  | H2  | H3   |
|-------------|-----|-----|------|
| [mm]        |     |     |      |
| <b>1032</b> | 300 | 500 | 800  |
| <b>1232</b> | 400 | 600 | 1000 |
| <b>1432</b> | 400 | 700 | 1200 |
| <b>1632</b> | 500 | 800 | 1300 |
| <b>1832</b> | 500 | 800 | 1400 |
| <b>2032</b> | 500 | 800 | 1500 |



## Standard Connections

Connections for  
single-pipe valves.Connection for  
wall-fit valves.

Always specify the kind of connection needed when ordering (V09 - V10 - V11 - V12 - V13 - V14).

Legend =



I Pipe Centres

L Width



## FRAME INOX PLUS VERTICAL - POLISHED STAINLESS STEEL

DDD: replace with the type of connection.

| Art. Nr.              | Height      | Width  | Pipe Centres (V09 - V10) | Pipe Centres (V14) | Dry Weight [Kg] | Surface [m <sup>2</sup> ] | Water Content [lt] | Thermal output Watt |           | Exponent n |
|-----------------------|-------------|--------|--------------------------|--------------------|-----------------|---------------------------|--------------------|---------------------|-----------|------------|
|                       | H [mm]      | L [mm] | I [mm]                   | I [mm]             |                 |                           |                    | Δt = 50°C           | Δt = 30°C |            |
| FRPL 368 10 DDD X01 B | <b>1032</b> | 368    | 282                      | 168                | 14,3            | 1,35                      | 4,5                | 580                 | 296       | 1,3152     |
| FRPL 480 10 DDD X01 B |             | 480    | 394                      | 280                | 20,2            | 1,84                      | 6,3                | 790                 | 404       | 1,3152     |
| FRPL 592 10 DDD X01 B |             | 592    | 506                      | 392                | 25,0            | 2,32                      | 7,8                | 999                 | 510       | 1,3152     |
| FRPL 704 10 DDD X01 B |             | 704    | 618                      | 504                | 28,6            | 2,81                      | 9,0                | 1209                | 618       | 1,3152     |
| FRPL 368 12 DDD X01 B | <b>1232</b> | 368    | 282                      | 168                | 17,1            | 1,61                      | 5,3                | 691                 | 353       | 1,31355    |
| FRPL 480 12 DDD X01 B |             | 480    | 394                      | 280                | 24,1            | 2,19                      | 7,5                | 940                 | 481       | 1,31355    |
| FRPL 592 12 DDD X01 B |             | 592    | 506                      | 392                | 29,8            | 2,77                      | 9,3                | 1190                | 608       | 1,31355    |
| FRPL 704 12 DDD X01 B |             | 704    | 618                      | 504                | 34,2            | 3,35                      | 10,7               | 1439                | 736       | 1,31355    |
| FRPL 368 14 DDD X01 B | <b>1432</b> | 368    | 282                      | 168                | 19,9            | 1,86                      | 6,2                | 801                 | 415       | 1,2867     |
| FRPL 480 14 DDD X01 B |             | 480    | 394                      | 280                | 28,0            | 2,54                      | 8,8                | 1091                | 565       | 1,2867     |
| FRPL 592 14 DDD X01 B |             | 592    | 506                      | 392                | 34,7            | 3,21                      | 10,8               | 1381                | 716       | 1,2867     |
| FRPL 704 14 DDD X01 B |             | 704    | 618                      | 504                | 39,7            | 3,88                      | 12,4               | 1670                | 865       | 1,2867     |
| FRPL 368 16 DDD X01 B | <b>1632</b> | 368    | 282                      | 168                | 23,9            | 2,17                      | 7,5                | 930                 | 476       | 1,3117     |
| FRPL 480 16 DDD X01 B |             | 480    | 394                      | 280                | 31,9            | 2,89                      | 10,0               | 1241                | 635       | 1,3117     |
| FRPL 592 16 DDD X01 B |             | 592    | 506                      | 392                | 39,8            | 3,61                      | 12,5               | 1551                | 794       | 1,3117     |
| FRPL 368 18 DDD X01 B | <b>1832</b> | 368    | 282                      | 168                | 25,4            | 2,38                      | 7,9                | 1022                | 523       | 1,3105     |
| FRPL 480 18 DDD X01 B |             | 480    | 394                      | 280                | 35,7            | 3,24                      | 11,2               | 1455                | 745       | 1,3105     |
| FRPL 592 18 DDD X01 B |             | 592    | 506                      | 392                | 45,1            | 4,10                      | 13,7               | 1819                | 931       | 1,3105     |
| FRPL 704 18 DDD X01 B |             | 704    | 618                      | 504                | 50,8            | 4,96                      | 15,9               | 2132                | 1092      | 1,3105     |
| FRPL 368 20 DDD X01 B | <b>2032</b> | 368    | 282                      | 168                | 28,2            | 2,63                      | 8,8                | 1133                | 580       | 1,3093     |
| FRPL 480 20 DDD X01 B |             | 480    | 394                      | 280                | 39,5            | 3,59                      | 12,3               | 1568                | 803       | 1,3093     |
| FRPL 592 20 DDD X01 B |             | 592    | 506                      | 392                | 49,9            | 4,54                      | 15,0               | 1960                | 1004      | 1,3093     |
| FRPL 704 20 DDD X01 B |             | 704    | 618                      | 504                | 56,4            | 5,49                      | 17,6               | 2363                | 1211      | 1,3093     |

For output at different Δt than 50°C, please refer to the following formula: desired output = output at Δt 50°C x (desired Δt/50)<sup>n</sup>



# FRAME INOX<sub>HORIZONTAL</sub>



**EUROPEAN  
WARRANTY**

## MATERIAL:

Vertical collectors in painted carbon steel with  $\varnothing$  of 30 mm  
Heating elements in painted carbon steel  
Heating plate in polished stainless steel

## FIXING KIT:

Brackets, airvent, hexagonal tool, plugs and screws for mounting suitable for use on compact or hollow brick, user notice.  
The kit is certified from TÜV in compliance with VDI 6036-class 4.

## PACKAGING:

The radiator is protected by a film in polyethylene and with a carton box.  
User notice included.

## FEATURES:

Heating plate is totally made in stainless steel with an unalterable finishing.  
Brightness guaranteed during the years.

## PRODUCT CERTIFICATES



P. max: 5 bar

T. max: 110° C

Available for central heating systems

Connections: n° 2 x 1/2" gas - n° 1 x 1/2" gas

## HOW TO ORDER THE HORIZONTAL FRAME INOX RADIATORS

### ARTICLE CODE STRUCTURE

| Radiator model | Radiator dimensions | Article code of the connection | Article code of the color / finish | Constant value |
|----------------|---------------------|--------------------------------|------------------------------------|----------------|
| AAAA           | BBB CC              | DDD                            | EEE                                | B              |

### Example

| Radiator model<br>Example: Frame radiator | Radiator dimensions<br>Example: mm 480x1832 | Article code of the connection<br>Example: H01 | Article code of the finish<br>Example: Polished stainless steel | Constant value |
|-------------------------------------------|---------------------------------------------|------------------------------------------------|-----------------------------------------------------------------|----------------|
| FRST                                      | 480 18                                      | H01                                            | X01                                                             | B              |

### EXAMPLE OF ARTICLE CODE CREATION

In case of a FRAME INOX OR 480x1832 mm, with H01 connection.

The article code will be:

**FRST 480 18 H01 X01 B**

## ACCESSORIES



### Elegant square manual polished valve kit

Copper connection  $\varnothing$  12/14/15  
Art. Nr. 5991990301084

Multilayer connection  $\varnothing$  16  
Art. Nr. 5991990301083



### Elegant square polished valve kit pipe centres 50 mm with thermostatic head - right

Copper connection  $\varnothing$  12/14/15  
Art. Nr. 5991990301076

Multilayer connection  $\varnothing$  16  
Art. Nr. 5991990301075



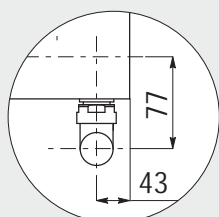
### Manual wall-fit valves

Fitting for wall-fit valves  
Copper connection  $\varnothing$  12/14/15  
Art. Nr. 5991170300001

Fitting for wall-fit valves  
Multilayer connection  $\varnothing$  16  
Art. Nr. 5991170300002

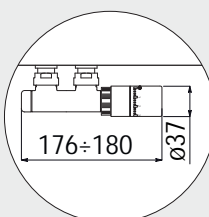
Wall-fit valves  
Art. Nr. 5991990311226

### V9÷V10



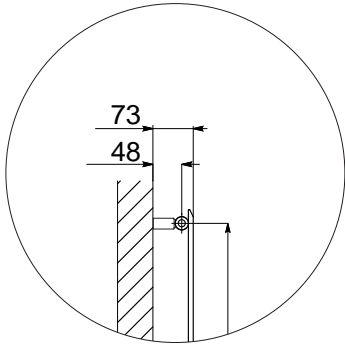
Measures for Elegant square manual valve

### V11

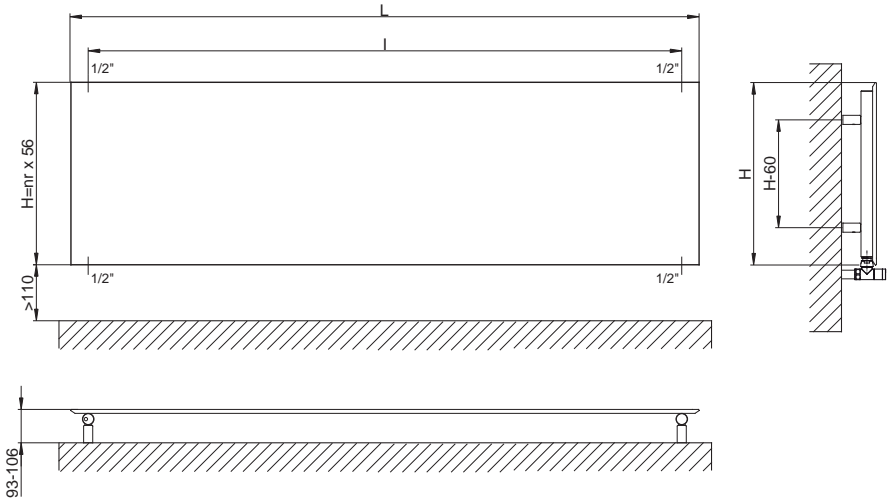
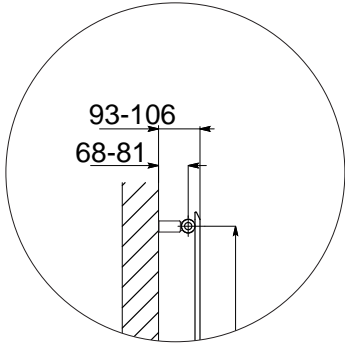


Measures for valves type Cordivari Elegant Square with thermostatic head and pipe centres 50 mm

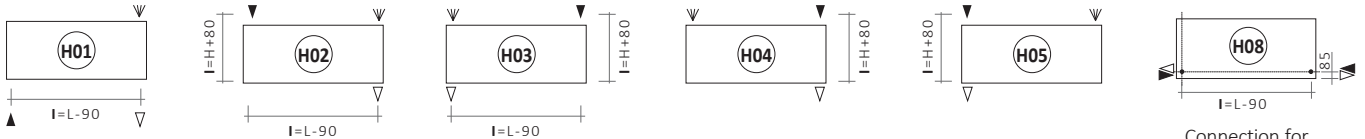
H01 - H02 - H03 - H04 - H05



H08



Standard Connections



Connection for wall-fit valves.

Always specify the kind of connection needed when ordering (da H1 a H8).

Legend = ► In ▷ Out ◀ Airvent H Height I Pipe Centres L Width □ Connection

FRAME INOX HORIZONTAL - POLISHED STAINLESS STEEL

DDD: replace with the type of connection.

| Art. Nr.              | Width<br>L [mm] | Height<br>H [mm] | Pipe Centres<br>(H01-H02-<br>H03-H08)<br>I [mm] | Dry<br>Weight<br>[Kg] | Surface<br>[m <sup>2</sup> ] | Water<br>Content<br>[lt] | Thermal output<br>Watt |           | Exponent<br>n |
|-----------------------|-----------------|------------------|-------------------------------------------------|-----------------------|------------------------------|--------------------------|------------------------|-----------|---------------|
|                       |                 |                  |                                                 |                       |                              |                          | Δt = 50°C              | Δt = 30°C |               |
| FRST 368 10 DDD X01 B | 1032            | 368              | 942                                             | 7,2                   | 0,75                         | 2,64                     | 381                    | 197       | 1,2894        |
| FRST 480 10 DDD X01 B |                 | 480              | 942                                             | 9,7                   | 0,98                         | 3,5                      | 499                    | 258       | 1,2894        |
| FRST 592 10 DDD X01 B |                 | 592              | 942                                             | 12,0                  | 1,21                         | 4,4                      | 617                    | 319       | 1,2894        |
| FRST 704 10 DDD X01 B |                 | 704              | 942                                             | 14,6                  | 1,44                         | 5,2                      | 735                    | 380       | 1,2894        |
| FRST 368 12 DDD X01 B | 1232            | 368              | 1142                                            | 8,6                   | 0,89                         | 3,02                     | 455                    | 236       | 1,2881        |
| FRST 480 12 DDD X01 B |                 | 480              | 1142                                            | 11,4                  | 1,17                         | 4,0                      | 596                    | 309       | 1,2881        |
| FRST 592 12 DDD X01 B |                 | 592              | 1142                                            | 14,0                  | 1,44                         | 5,1                      | 736                    | 381       | 1,2881        |
| FRST 704 12 DDD X01 B |                 | 704              | 1142                                            | 17,2                  | 1,72                         | 6,1                      | 877                    | 454       | 1,2881        |
| FRST 368 14 DDD X01 B | 1432            | 368              | 1342                                            | 9,9                   | 1,04                         | 3,5                      | 529                    | 274       | 1,2867        |
| FRST 480 14 DDD X01 B |                 | 480              | 1342                                            | 13,2                  | 1,36                         | 4,6                      | 692                    | 359       | 1,2867        |
| FRST 592 14 DDD X01 B |                 | 592              | 1342                                            | 16,5                  | 1,68                         | 5,9                      | 856                    | 444       | 1,2867        |
| FRST 704 14 DDD X01 B |                 | 704              | 1342                                            | 19,8                  | 2,00                         | 7,0                      | 1020                   | 529       | 1,2867        |
| FRST 368 16 DDD X01 B | 1632            | 368              | 1542                                            | 11,2                  | 1,16                         | 3,8                      | 595                    | 309       | 1,2854        |
| FRST 480 16 DDD X01 B |                 | 480              | 1542                                            | 14,9                  | 1,55                         | 5,2                      | 789                    | 409       | 1,2854        |
| FRST 592 16 DDD X01 B |                 | 592              | 1542                                            | 18,6                  | 1,94                         | 6,8                      | 976                    | 506       | 1,2854        |
| FRST 704 16 DDD X01 B |                 | 704              | 1542                                            | 22,3                  | 2,38                         | 8,0                      | 1222                   | 635       | 1,2826        |
| FRST 368 18 DDD X01 B | 1832            | 368              | 1742                                            | 12,5                  | 1,33                         | 4,37                     | 676                    | 351       | 1,2840        |
| FRST 480 18 DDD X01 B |                 | 480              | 1742                                            | 16,6                  | 1,74                         | 5,8                      | 880                    | 457       | 1,2840        |
| FRST 592 18 DDD X01 B |                 | 592              | 1742                                            | 20,9                  | 2,15                         | 7,2                      | 1100                   | 571       | 1,2840        |
| FRST 704 18 DDD X01 B |                 | 704              | 1742                                            | 25,0                  | 2,56                         | 8,7                      | 1304                   | 677       | 1,2840        |
| FRST 368 20 DDD X01 B | 2032            | 368              | 1942                                            | 13,5                  | 1,47                         | 4,85                     | 750                    | 390       | 1,2826        |
| FRST 480 20 DDD X01 B |                 | 480              | 1942                                            | 18,4                  | 1,93                         | 6,4                      | 978                    | 508       | 1,2826        |
| FRST 592 20 DDD X01 B |                 | 592              | 1942                                            | 23,0                  | 2,38                         | 8,0                      | 1222                   | 635       | 1,2826        |
| FRST 704 20 DDD X01 B |                 | 704              | 1942                                            | 27,6                  | 2,84                         | 9,6                      | 1447                   | 751       | 1,2826        |

For output at different Δt than 50°C, please refer to the following formula: desired output = output at Δt 50°C x (desired Δt/50)<sup>n</sup>



# FRAME INOX DECOR VERTICAL



artwork **Mariano Moroni**

**EUROPEAN  
WARRANTY**

## MATERIAL:

Horizontal collector in painted carbon steel with  $\varnothing$  of 30 mm  
Heating elements in painted carbon steel  
Heating plate in stainless steel with satin décor on polished background

## FIXING KIT:

Brackets, airvent, hexagonal tool, plugs and screws for mounting suitable for use on compact or hollow brick, user notice.  
The kit is certified from TÜV in compliance with VDI 6036-class 4.

## PACKAGING:

The radiator is protected by a film in polyethylene and with a carton box.  
User notice included.

## FEATURES:

Heating plate is totally made in stainless steel with an unalterable finishing.  
Brightness guaranteed during the years.

## PRODUCT CERTIFICATES



P. max: 5 bar

T. max: 110° C

Available for central heating systems

Connections: n° 2 x 1/2" gas - n° 1 x 1/8" gas

## HOW TO ORDER THE VERTICAL FRAME INOX DECOR RADIATORS

### ARTICLE CODE STRUCTURE

| Radiator model | Radiator dimensions | Article code of the connection | Article code of the color / finish | Constant value |
|----------------|---------------------|--------------------------------|------------------------------------|----------------|
| AAAA           | BBB CC              | DDD                            | EEE                                | B              |

### Example

| Radiator model<br>Example: Frame radiator | Radiator dimensions<br>Example: mm 480x1832 | Article code of the connection<br>Example: V09 connection V09 | Article code of the finish<br>Example: Inox Decor | Constant value |
|-------------------------------------------|---------------------------------------------|---------------------------------------------------------------|---------------------------------------------------|----------------|
| FRST                                      | 480 18                                      | V09                                                           | X03                                               | B              |

### EXAMPLE OF ARTICLE CODE CREATION

In case of a FRAME INOX DECOR VT 480x1832 mm radiator with V09 connection.

The article code will be:

**FRST 480 18 V09 X03 B**

## ACCESSORIES



### Elegant square manual polished valve kit

Copper connection  $\varnothing$  12/14/15  
Art. Nr. 5991990301084

Multilayer connection  $\varnothing$  16  
Art. Nr. 5991990301083



### Elegant square polished valve kit pipe centres 50 mm with thermostatic head - right

Copper connection  $\varnothing$  12/14/15  
Art. Nr. 5991990301076

Multilayer connection  $\varnothing$  16  
Art. Nr. 5991990301075



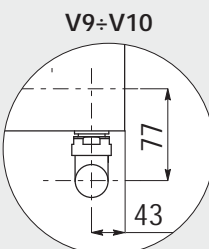
### Straight hanger polished FOR MODELS

L. 368 (L= 404 mm)  
Art. Nr. 5991990300187

L. 480 (L= 516 mm)  
Art. Nr. 5991990300183

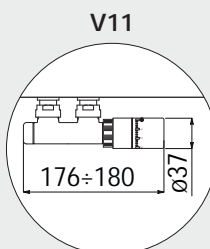
L. 592 (L= 628 mm)  
Art. Nr. 5991990300184

L. 704 (L= 740 mm)  
Art. Nr. 5991990300188



V9÷V10

Measures for Elegant square manual valve



V11

Measures for valves type Cordivari Elegant Square with thermostatic head and pipe centres 50 mm



### Kit 3 Straight hanger polished FOR MODELS

L. 368 (L= 404 mm)  
Art. Nr. 5991990300189

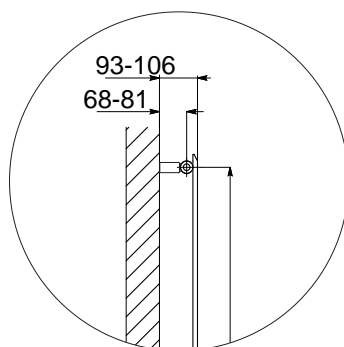
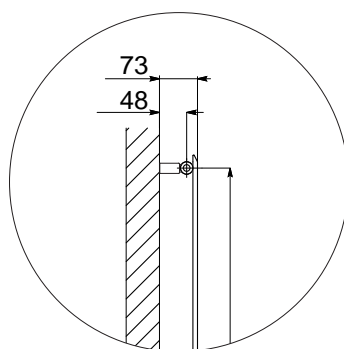
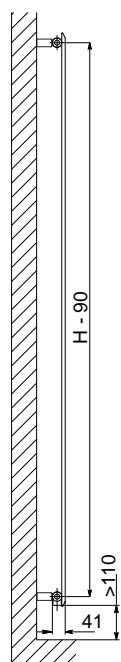
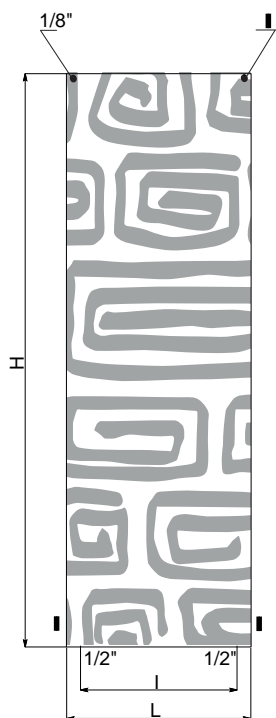
L. 480 (L= 516 mm)  
Art. Nr. 5991990300185

L. 592 (L= 628 mm)  
Art. Nr. 5991990300186

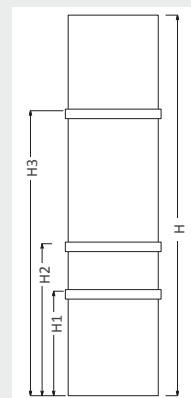
L. 704 (L= 740 mm)  
Art. Nr. 5991990300190



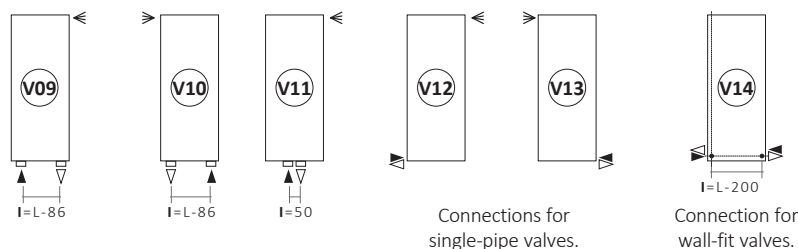
## V09 - V10 - V11 - V12 - V13

POSITIONING OF  
TOWEL BAR  
(ACCESSORIES)

| H           | H1  | H2  | H3   |
|-------------|-----|-----|------|
| [mm]        |     |     |      |
| <b>1032</b> | 300 | 500 | 800  |
| <b>1232</b> | 400 | 600 | 1000 |
| <b>1432</b> | 400 | 700 | 1200 |
| <b>1632</b> | 500 | 800 | 1300 |
| <b>1832</b> | 500 | 800 | 1400 |
| <b>2032</b> | 500 | 800 | 1500 |



## Standard Connections



Always specify the kind of connection needed when ordering (V09 - V10 - V11 - V12 - V13 - V14).

Legend =

▶ In      ▷ Out      ≪ Airvent  
 | Pipe Centres      L Width      □ Connection

## FRAME INOX DECOR VERTICAL

DDD: replace with the type of connection.

| Art. Nr.              | Height      | Width  | Pipe Centres (V09 - V10) | Pipe Centres (V14) | Dry Weight | Surface | Water Content | Thermal output Watt |           | Exponent n |
|-----------------------|-------------|--------|--------------------------|--------------------|------------|---------|---------------|---------------------|-----------|------------|
|                       | H [mm]      | L [mm] | I [mm]                   | I [mm]             |            |         |               | Δt = 50°C           | Δt = 30°C |            |
| FRST 368 10 DDD X03 B | <b>1032</b> | 368    | 282                      | 168                | 7,2        | 0,75    | 2,64          | 381                 | 197       | 1,2894     |
| FRST 480 10 DDD X03 B |             | 480    | 394                      | 280                | 9,7        | 0,98    | 3,5           | 499                 | 258       | 1,2894     |
| FRST 592 10 DDD X03 B |             | 592    | 506                      | 392                | 12         | 1,21    | 4,4           | 617                 | 319       | 1,2894     |
| FRST 704 10 DDD X03 B |             | 704    | 618                      | 504                | 14,6       | 1,44    | 5,2           | 735                 | 380       | 1,2894     |
| FRST 368 12 DDD X03 B | <b>1232</b> | 368    | 282                      | 168                | 8,6        | 0,89    | 3,02          | 455                 | 236       | 1,2881     |
| FRST 480 12 DDD X03 B |             | 480    | 394                      | 280                | 11,4       | 1,17    | 4             | 596                 | 309       | 1,2881     |
| FRST 592 12 DDD X03 B |             | 592    | 506                      | 392                | 14         | 1,44    | 5,1           | 736                 | 381       | 1,2881     |
| FRST 704 12 DDD X03 B |             | 704    | 618                      | 504                | 17,2       | 1,72    | 6,1           | 877                 | 454       | 1,2881     |
| FRST 368 14 DDD X03 B | <b>1432</b> | 368    | 282                      | 168                | 9,9        | 1,04    | 3,5           | 529                 | 274       | 1,2867     |
| FRST 480 14 DDD X03 B |             | 480    | 394                      | 280                | 13,2       | 1,36    | 4,6           | 692                 | 359       | 1,2867     |
| FRST 592 14 DDD X03 B |             | 592    | 506                      | 392                | 16,5       | 1,68    | 5,9           | 856                 | 444       | 1,2867     |
| FRST 704 14 DDD X03 B |             | 704    | 618                      | 504                | 19,8       | 2,00    | 7,00          | 1020                | 529       | 1,2867     |
| FRST 368 16 DDD X03 B | <b>1632</b> | 368    | 282                      | 168                | 11,2       | 1,16    | 3,8           | 595                 | 309       | 1,2854     |
| FRST 480 16 DDD X03 B |             | 480    | 394                      | 280                | 14,9       | 1,55    | 5,2           | 789                 | 409       | 1,2854     |
| FRST 592 16 DDD X03 B |             | 592    | 506                      | 392                | 18,6       | 1,94    | 6,8           | 976                 | 506       | 1,2854     |
| FRST 368 18 DDD X03 B | <b>1832</b> | 368    | 282                      | 168                | 12,5       | 1,33    | 4,37          | 676                 | 351       | 1,2840     |
| FRST 480 18 DDD X03 B |             | 480    | 394                      | 280                | 16,6       | 1,74    | 5,8           | 880                 | 457       | 1,2840     |
| FRST 592 18 DDD X03 B |             | 592    | 506                      | 392                | 20,9       | 2,15    | 7,2           | 1100                | 571       | 1,2840     |
| FRST 704 18 DDD X03 B |             | 704    | 618                      | 504                | 25         | 2,56    | 8,7           | 1304                | 677       | 1,2840     |
| FRST 368 20 DDD X03 B | <b>2032</b> | 368    | 282                      | 168                | 13,5       | 1,47    | 4,85          | 750                 | 390       | 1,2826     |
| FRST 480 20 DDD X03 B |             | 480    | 394                      | 280                | 18,4       | 1,93    | 6,4           | 978                 | 508       | 1,2826     |
| FRST 592 20 DDD X03 B |             | 592    | 506                      | 392                | 23         | 2,38    | 8             | 1222                | 635       | 1,2826     |
| FRST 704 20 DDD X03 B |             | 704    | 618                      | 504                | 27,6       | 2,84    | 9,6           | 1447                | 751       | 1,2826     |

For output at different Δt than 50°C, please refer to the following formula: desired output = output at Δt 50°C x (desired Δt/50)<sup>n</sup>





# FRAME INOX PLUS DECOR VERTICAL



artwork **Mariano Moroni**

**EUROPEAN  
WARRANTY**

## MATERIAL:

Horizontal collector in painted carbon steel with  $\varnothing$  of 30 mm  
Heating elements in painted carbon steel  
Heating plate in stainless steel with satin décor on polished background

## FIXING KIT:

Brackets, airvent, hexagonal tool, plugs and screws for mounting suitable for use on compact or hollow brick, user notice.

## PACKAGING:

The radiator is protected by a film in polyethylene and with a carton box. User notice included.

## FEATURES:

Heating plate is totally made in stainless steel with an unalterable finishing. Brightness guaranteed during the years.

## PRODUCT CERTIFICATES



P. max: 5 bar

T. max: 110° C

Available for central heating systems

Connections: n° 2 x 1/2" gas - n° 1 x 1/8" gas

## HOW TO ORDER THE VERTICAL FRAME INOX PLUS DECOR RADIATORS

### ARTICLE CODE STRUCTURE

| Radiator model | Radiator dimensions | Article code of the connection | Article code of the color / finish | Constant value |
|----------------|---------------------|--------------------------------|------------------------------------|----------------|
| AAAA           | BBB CC              | DDD                            | EEE                                | B              |

### Example

| Radiator model               | Radiator dimensions  | Article code of the connection | Article code of the finish | Constant value |
|------------------------------|----------------------|--------------------------------|----------------------------|----------------|
| Example: Frame radiator Plus | Example: mm 480x1832 | Example: connection V09        | Example: Inox Decor        |                |
| FRPL                         | 480 18               | V09                            | X03                        | B              |

### EXAMPLE OF ARTICLE CODE CREATION

In case of a FRAME INOX PLUS DECOR VT 480x1832 mm radiator with V09 connection.

The article code will be:

**FRPL 480 18 V09 X03 B**

## ACCESSORIES



**Elegant square manual polished valve kit**

Copper connection  $\varnothing$  12/14/15  
Art. Nr. 5991990301084

Multilayer connection  $\varnothing$  16  
Art. Nr. 5991990301083



**Elegant square polished valve kit pipe centres 50 mm with thermostatic head - right**

Copper connection  $\varnothing$  12/14/15  
Art. Nr. 5991990301076

Multilayer connection  $\varnothing$  16  
Art. Nr. 5991990301075



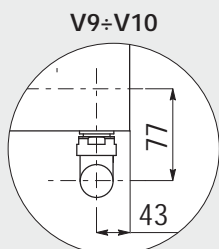
**Straight hanger polished FOR MODELS**

L. 368 (L= 404 mm)  
Art. Nr. 5991990300187

L. 480 (L= 516 mm)  
Art. Nr. 5991990300183

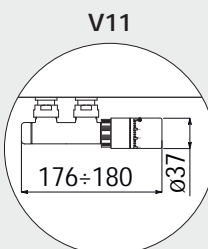
L. 592 (L= 628 mm)  
Art. Nr. 5991990300184

L. 704 (L= 740 mm)  
Art. Nr. 5991990300188



**V9÷V10**

Measures for Elegant square manual valve



**V11**

Measures for valves type Cordivari Elegant Square with thermostatic head and pipe centres 50 mm



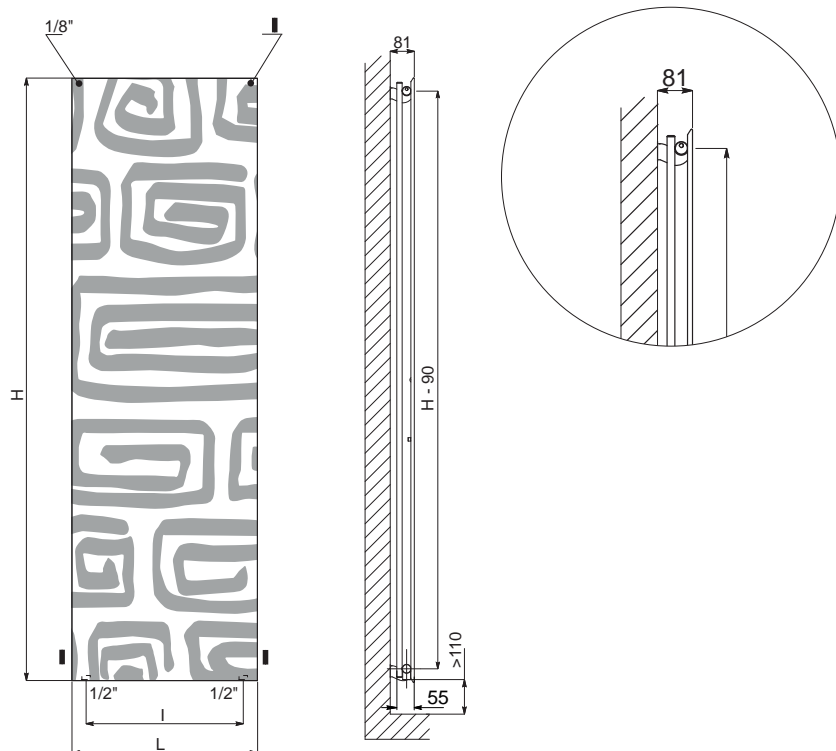
**Kit 3 Straight hanger polished FOR MODELS**

L. 368 (L= 404 mm)  
Art. Nr. 5991990300189

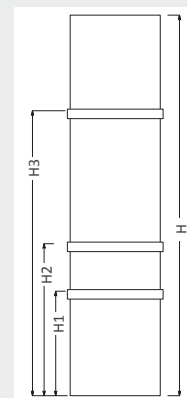
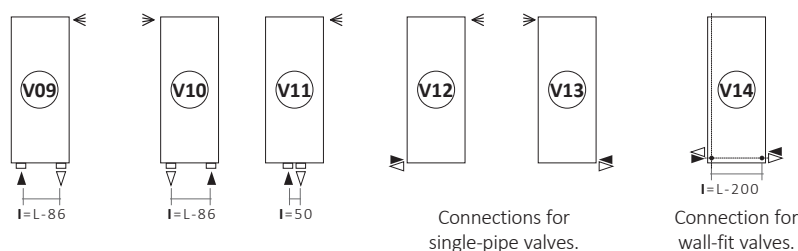
L. 480 (L= 516 mm)  
Art. Nr. 5991990300185

L. 592 (L= 628 mm)  
Art. Nr. 5991990300186

L. 704 (L= 740 mm)  
Art. Nr. 5991990300190

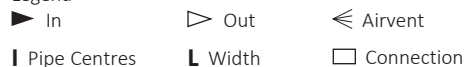

**POSITIONING OF  
TOWEL BAR  
(ACCESSORIES)**

| H           | H1  | H2  | H3   |
|-------------|-----|-----|------|
| [mm]        |     |     |      |
| <b>1032</b> | 300 | 500 | 800  |
| <b>1232</b> | 400 | 600 | 1000 |
| <b>1432</b> | 400 | 700 | 1200 |
| <b>1632</b> | 500 | 800 | 1300 |
| <b>1832</b> | 500 | 800 | 1400 |
| <b>2032</b> | 500 | 800 | 1500 |


**Standard Connections**


Always specify the kind of connection needed when ordering (V09 - V10 - V11 - V12 - V13 - V14).

Legend =


**FRAME INOX PLUS DECOR VERTICAL**

**DDD:** replace with the type of connection.

| Art. Nr.              | Height      | Width  | Pipe Centres (V09 - V10) | Pipe Centres (V14) | Dry Weight | Surface | Water Content | Thermal output Watt             |                                 | Exponent n |
|-----------------------|-------------|--------|--------------------------|--------------------|------------|---------|---------------|---------------------------------|---------------------------------|------------|
|                       | H [mm]      | L [mm] | I [mm]                   | I [mm]             |            |         |               | $\Delta t = 50^{\circ}\text{C}$ | $\Delta t = 30^{\circ}\text{C}$ |            |
| FRPL 368 10 DDD X03 B | <b>1032</b> | 368    | 282                      | 168                | 14,3       | 1,35    | 4,5           | 580                             | 296                             | 1,3152     |
| FRPL 480 10 DDD X03 B |             | 480    | 394                      | 280                | 20,2       | 1,84    | 6,3           | 790                             | 404                             | 1,3152     |
| FRPL 592 10 DDD X03 B |             | 592    | 506                      | 392                | 25,0       | 2,32    | 7,8           | 999                             | 510                             | 1,3152     |
| FRPL 704 10 DDD X03 B |             | 704    | 618                      | 504                | 28,6       | 2,81    | 9,0           | 1209                            | 618                             | 1,3152     |
| FRPL 368 12 DDD X03 B | <b>1232</b> | 368    | 282                      | 168                | 17,1       | 1,61    | 5,3           | 691                             | 353                             | 1,31355    |
| FRPL 480 12 DDD X03 B |             | 480    | 394                      | 280                | 24,1       | 2,19    | 7,5           | 940                             | 481                             | 1,31355    |
| FRPL 592 12 DDD X03 B |             | 592    | 506                      | 392                | 29,8       | 2,77    | 9,3           | 1190                            | 608                             | 1,31355    |
| FRPL 704 12 DDD X03 B |             | 704    | 618                      | 504                | 34,2       | 3,35    | 10,7          | 1439                            | 736                             | 1,31355    |
| FRPL 368 14 DDD X03 B | <b>1432</b> | 368    | 282                      | 168                | 19,9       | 1,86    | 6,2           | 801                             | 415                             | 1,2867     |
| FRPL 480 14 DDD X03 B |             | 480    | 394                      | 280                | 28,0       | 2,54    | 8,8           | 1091                            | 565                             | 1,2867     |
| FRPL 592 14 DDD X03 B |             | 592    | 506                      | 392                | 34,7       | 3,21    | 10,8          | 1381                            | 716                             | 1,2867     |
| FRPL 704 14 DDD X03 B |             | 704    | 618                      | 504                | 39,7       | 3,88    | 12,4          | 1670                            | 865                             | 1,2867     |
| FRPL 368 16 DDD X03 B | <b>1632</b> | 368    | 282                      | 168                | 23,9       | 2,17    | 7,5           | 930                             | 476                             | 1,3117     |
| FRPL 480 16 DDD X03 B |             | 480    | 394                      | 280                | 31,9       | 2,89    | 10,0          | 1241                            | 635                             | 1,3117     |
| FRPL 592 16 DDD X03 B |             | 592    | 506                      | 392                | 39,8       | 3,61    | 12,5          | 1551                            | 794                             | 1,3117     |
| FRPL 704 16 DDD X03 B |             | 704    | 618                      | 504                | 50,8       | 4,96    | 15,9          | 2132                            | 1092                            | 1,3105     |
| FRPL 368 18 DDD X03 B | <b>1832</b> | 368    | 282                      | 168                | 25,4       | 2,38    | 7,9           | 1022                            | 523                             | 1,3105     |
| FRPL 480 18 DDD X03 B |             | 480    | 394                      | 280                | 35,7       | 3,24    | 11,2          | 1455                            | 745                             | 1,3105     |
| FRPL 592 18 DDD X03 B |             | 592    | 506                      | 392                | 45,1       | 4,10    | 13,7          | 1819                            | 931                             | 1,3105     |
| FRPL 704 18 DDD X03 B |             | 704    | 618                      | 504                | 56,4       | 5,49    | 17,6          | 2363                            | 1211                            | 1,3093     |
| FRPL 368 20 DDD X03 B | <b>2032</b> | 368    | 282                      | 168                | 28,2       | 2,63    | 8,8           | 1133                            | 580                             | 1,3093     |
| FRPL 480 20 DDD X03 B |             | 480    | 394                      | 280                | 39,5       | 3,59    | 12,3          | 1568                            | 803                             | 1,3093     |
| FRPL 592 20 DDD X03 B |             | 592    | 506                      | 392                | 49,9       | 4,54    | 15,0          | 1960                            | 1004                            | 1,3093     |
| FRPL 704 20 DDD X03 B |             | 704    | 618                      | 504                | 56,4       | 5,49    | 17,6          | 2363                            | 1211                            | 1,3093     |

For output at different  $\Delta t$  than  $50^{\circ}\text{C}$ , please refer to the following formula: desired output = output at  $\Delta t 50^{\circ}\text{C} \times (\text{desired } \Delta t/50)^n$