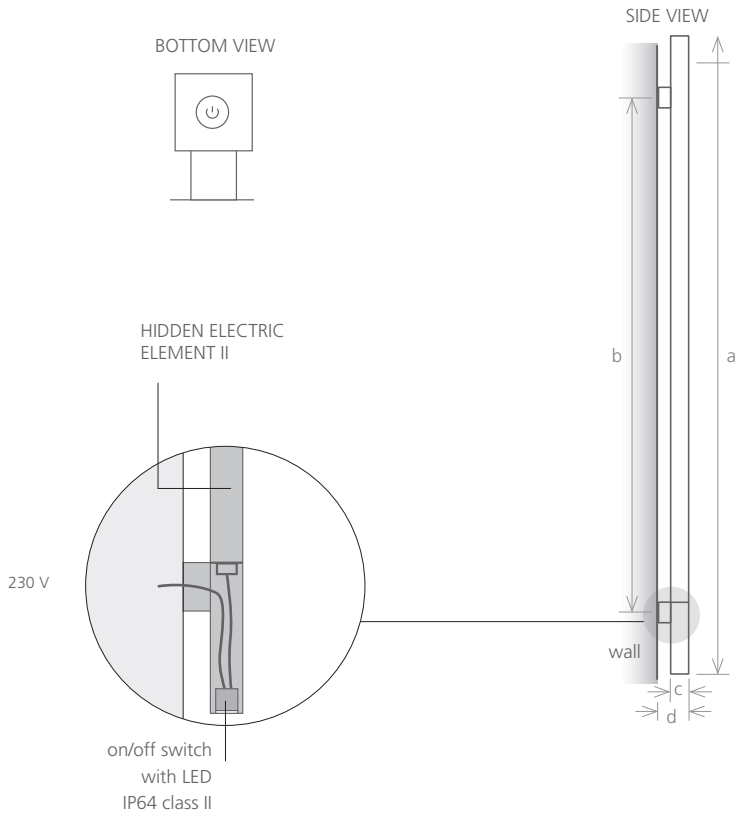


# FOURSLIM SQUARE ON/OFF

TOWEL WARMER





Electric version: in the horizontal position the depth is 80mm.

	hidden electric element II			mixed version - wall valve + electric II		
model	FSQO 800	FSQO 1200	FSQO 1400	FSQOM 800	FSQOM 1200	FSQOM 1400
height (mm) a	800	1200	1400	880	1280	1480
width between axles (mm) b	645	945	1145	620	1020	1220
total width (mm) c	40	40	40	40	40	40
depth (mm) d	70	70	70	98	98	98
capacity (l)	0,6	0,8	1,0	0,7	0,9	1,2
central heating (W)	-	-	-	63	97	124
electric (W)	40	100	150	40	100	150