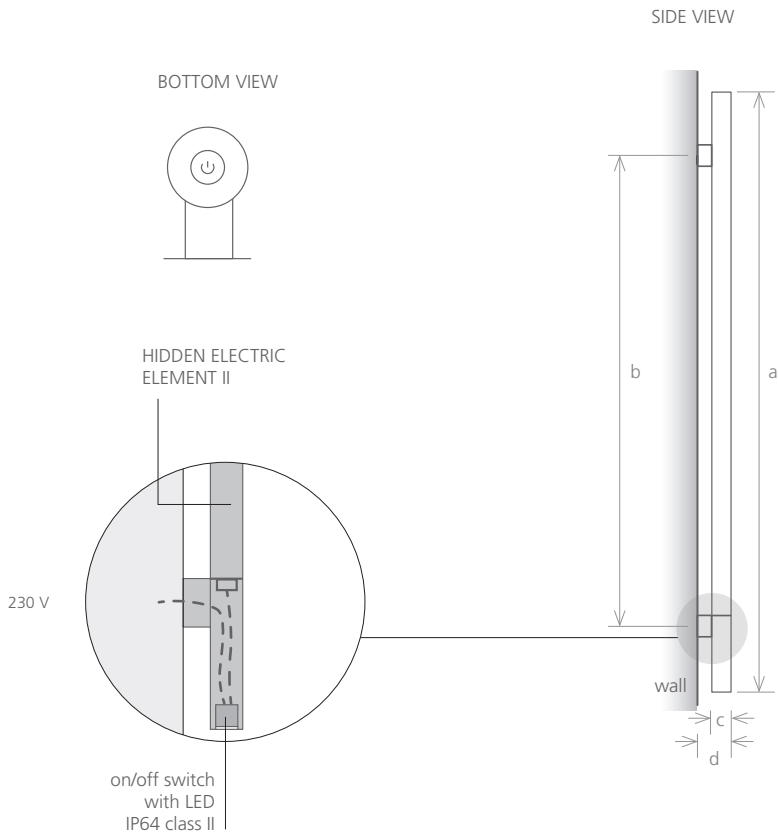


# FOURSLIM ON/OFF

TOWEL WARMER



An on/off switch was incorporated in the towel warmer itself for greater user comfort and to simplify operation.



Electric version: in the horizontal position the depth is 82mm.

		hidden electric element II - on/off			mixed version - wall valve + on/off		
model		FSO 800	FSO 1200	FSO 1400	FSOM 800	FSOM 1200	FSOM 1400
height (mm)	a	800	1200	1400	880	1280	1480
width between axles (mm)	b	645	945	1145	620	1020	1220
total width (mm)	c	42	42	42	42	42	42
depth (mm)	d	72	72	72	100	100	100
capacity (l)		0,6	0,8	1,0	0,7	0,9	1,2
central heating (W)		-	-	-	63	97	124
electric (W)		40	100	150	40	100	150