



# SFERE TRITTICO

design **Simone Micheli**



**EUROPEAN  
WARRANTY**

### MATERIAL:

Super slim heating body in painted carbon steel.

### FIXING KIT:

Brackets, airvent, hexagonal tool, plugs and screws for mounting suitable for use on compact or hollow brick, user notice.

The kit is certified from TÜV in compliance with VDI 6036-class 4.

### VALVE KIT INCLUDES FOR STANDARD VERSION:

Valves with thermostatic head  
Fittings for copper pipe (Ø 12/14/15)  
Fittings for multilayer pipe (Ø 16)  
Ready - to install pipe connection kit

### VERSION FOR WALL-FIT VALVES INCLUDES:

2x1/2" connections

### PACKAGING:

The radiator is protected by a film in polyethylene and with a carton box. User notice included.

### PAINTING PROCESS:

Painted with ecological epoxy. (Certificate DIN 55900-1,-2). Thermal outputs certified in accredited laboratories in compliance with European norm EN442.

### COLOURS:

Radiator and accessories: standard white colour R01.

## PRODUCT CERTIFICATES



P. max: 5 bar

T. max: 110° C

Available for central heating systems

Connections: n° 2 x 1/2" gas - n° 1 x 1/2" gas

## AWARD







# SFERE

design **Simone Micheli**



**EUROPEAN  
WARRANTY**

#### **MATERIAL:**

Super slim heating body in painted carbon steel.

#### **FIXING KIT:**

Brackets, airvent, hexagonal tool, plugs and screws for mounting suitable for use on compact or hollow brick, user notice.

The kit is certified from TÜV in compliance with VDI 6036-class 4.

#### **VALVE KIT INCLUDES FOR STANDARD VERSION:**

Valves with thermostatic head

Fittings for copper pipe (Ø 12/14/15)

Fittings for multilayer pipe (Ø 16)

Ready - to install pipe connection kit

#### **VERSION FOR WALL-FIT VALVES INCLUDES:**

2x1/2" connections

#### **PACKAGING:**

The radiator is protected by a film in polyethylene and with a carton box. User notice included.

#### **PAINTING PROCESS:**

Painted with ecological epoxy. (Certificate DIN 55900-1,-2).

Thermal outputs certified in accredited laboratories in compliance with European norm EN442.

#### **COLOURS:**

Radiator and accessories: standard white colour R01.

## PRODUCT CERTIFICATES



P. max: 5 bar

T. max: 110° C

Available for central heating systems

Connections: n° 2 x 1/2" gas - n° 1 x 1/2" gas

## AWARD

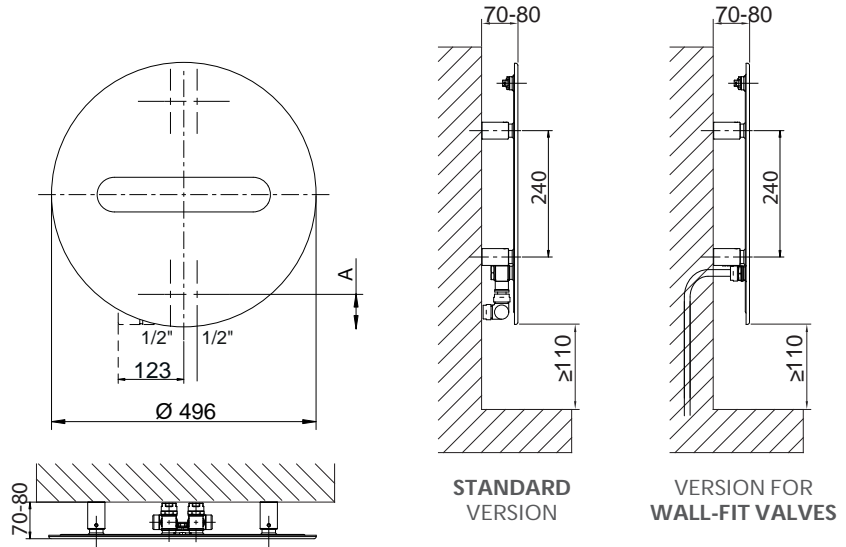
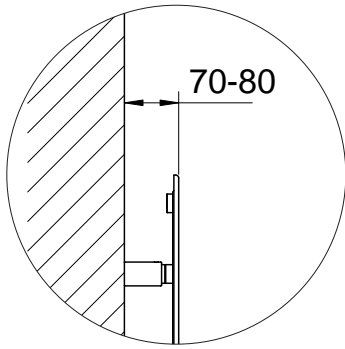


SFERE with wall-fit valves



Wall-fit valves





## SFERE

	Art. Nr.	Diameter		Pipe Centres	A	Dry Weight	Surface	Water Content	Thermal output		Exponent n
		D [mm]	I [mm]						Watt	Watt	
STANDARD VERSION	3540806100211	<b>496</b>	50	24	0,35	0,3	194	105	1,1950	1,195	
VERSION WALL-FIT VALVES	3540806100212	<b>496</b>	50	93	0,35	0,3	194	105	1,1950	1,195	

Art. Nr. are referred to colour WHITE R01 - version.

Standard version includes valves.

Wall-fit version includes 2x1/2" connections

For output at different  $\Delta t$  than 50°C, please refer to the following formula: desired output = output at  $\Delta t$  50°C x (desired  $\Delta t$ /50)<sup>n</sup>