

# VINCI

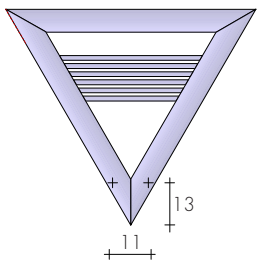
VINCI is an unusually shaped, space saving heated towel rail, with strong impact, ideal

for personalising your bathroom. Its pure lines are not affected by the valves

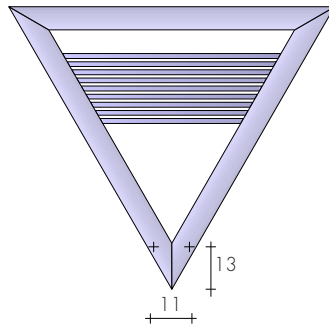
design Luigi Brembilla  
(at the back of the manifolds).

## DIMENSIONS

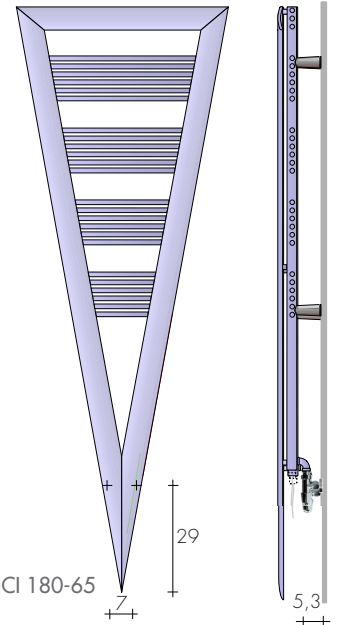
Width 65 / 77 / 101 cm  
Height 67 / 87 / 180 cm  
Depth 4,8 cm  
Depth from wall 9 / 13 cm



VINCI 67-77



VINCI 87-101



VINCI 180-65

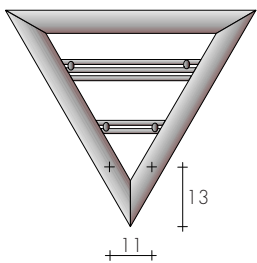
## MODEL

MODEL	HL cm	white sablé standard €	EN 442 $\Delta t$ 50 K watt	▲▽ t.c. •cm	Height		Width		Weight M Kg	Volume V dm <sup>3</sup>	MIXED VERSION cl.II E.H.E. with sleeve W €	
					H cm	L cm	400	106,20				
VINCI	67-77	764,40	419	11	67	77	6,6	2,4				
VINCI	87-101	810,90	544	11	87	101	8,6	3,2				
VINCI	180-65	1088,50	886	7	180	65	14,2	5,4				
VINCI CROM*	67-77	1133,80	205	11	67	77	3,6	1,0				
VINCI CROM*	87-101	1393,20	314	11	87	101	6,2	1,8				
VINCI CROM*	180-65	1523,80	355	7	180	65	8,0	2,3				

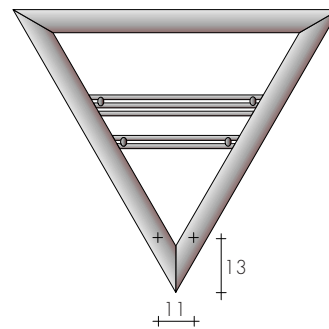
\* hot water only

• Reverse Brem valves

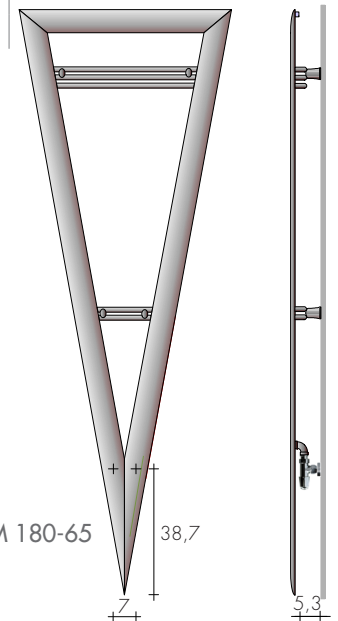
Chronothermostat page 245



VINCI CROM 67-77



VINCI CROM 87-101



VINCI CROM 180-65

MINIMUM OPERATING PRESSURE 1,5 BAR

## STANDARD PRODUCTION

White "sablé" paintwork/chrome plated finish  
Tolerance  $\pm 3$  mm - Air vent  $\varnothing 1/8"$   
MAXIMUM OPERATING PRESSURE 3 BAR

## PRODUCTION ON REQUEST

Paintwork to Brem color list with chrome-plated brackets  
+15/25%  
Dimensions on request

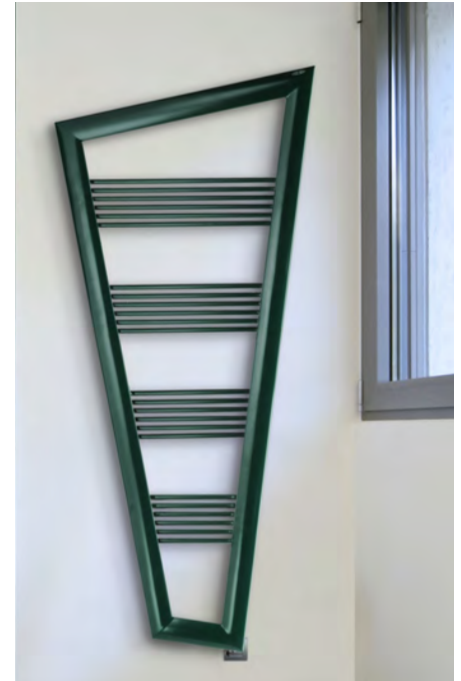
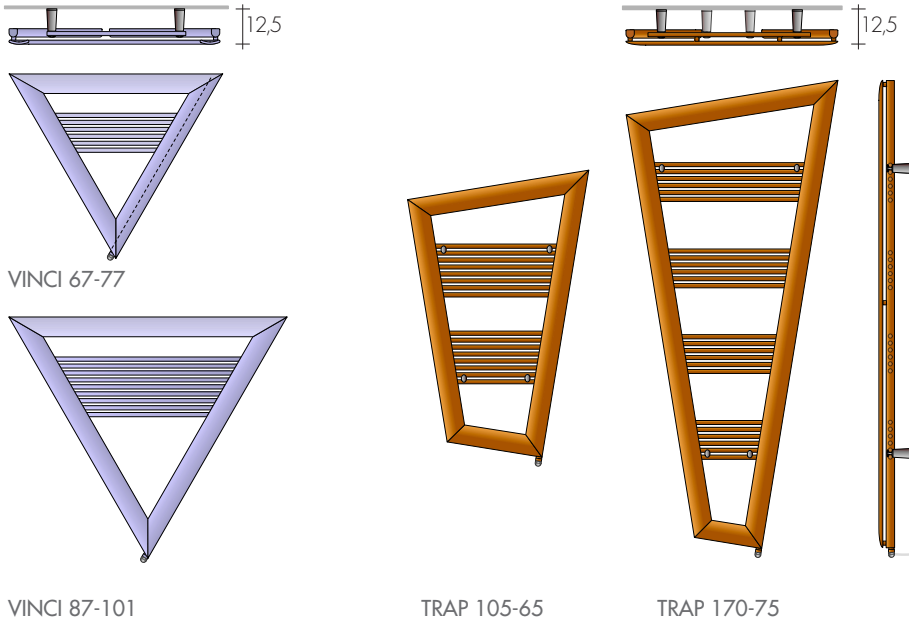
STANDARD FITTING REG  $\varnothing 1/2"$   
with reverse valves on the back  
BREM fittings and valves, page 294  
Electric version e.Vinci, page 278



# e.TRAP - e.VINCI

design Luigi Brembilla

TECHNICAL DATA pages 144, 146  
ELECTRIC KIT DATA page 244



TOWEL RAILS	+	chosen KIT	=	ELECTRIC TOWEL RAILS
standard white sablé or paint to Brem color list with extra		KIT RE Electric Heating Element KIT TE Digital Thermostat KIT RI Radio frequency receiver (thermostat excluded)		white sablé or paint to Brem color list with chosen KIT

MODEL	HL cm	White standard €	Colors +15% €	Colors +25% €	KIT RE		KIT TE		KIT RI Radio	
					Heating element Art.	€	Digital thermostat Art.	€	frequency receiver Art.	€
TRAP	105-65	795,00	914,30	993,80	R650IIE	188,20	R650IITE	248,70	R650IIRI	284,30
TRAP	170-75	1052,40	1210,30	1315,50	R900IIE	215,50	R900IITE	275,90	R900IIRI	311,50
VINCI	67-77	764,40	879,10	955,50	R400IIE	165,20	-	-	R400IIRI	261,30
VINCI	87-101	810,90	932,50	1013,60	R500IIE	176,00	-	-	R500IIRI	272,10



wall recessed

Wall-mounted radio receiver (extra for KIT RI)  
Art. SRP 13,00€



Radio programmable wall-mounted thermostat  
Art. RHD 106,40€



Radio programmable thermostat Multi  
Art. CTD 129,60€



HEATING ELEMENT POSITION  
© Vertical Heating Element



**KIT RE: Electric Heating Element Kit**  
Filling with diathermic liquid  
Class II El. Heating Element with cable (150cm)  
Chrome plated plug and wall mounting brackets.

**KIT TE: Digital Thermostat Kit**  
Kit RE with digital thermostat:  
- white for white towel rails,  
- metal grey for coloured towel rails

**KIT RI: Radio frequency box receiver Kit**  
Kit RE with radio frequency box receiver (wall-mounted receiver with extra). Add the chosen radio thermostat (it can control up to 12 radiators)