



LOLA[®] HORIZONTAL

SATIN STAINLESS STEEL

3D
TRADEMARK



15 YEARS
WARRANTY

MATERIAL:

Vertical collectors in satin stainless steel with \varnothing of 38 mm.
Curved heating elements in satin stainless steel 30x10 mm.

FIXING KIT:

Brackets, airvent, hexagonal tool, plugs and screws for mounting suitable for use on compact or hollow brick, user notice.
The kit is certified from TÜV in compliance with VDI 6036-class 4.

PACKAGING:

The radiator is protected by a recyclable film in polyethylene and with a carton box. User notice included.

FEATURES:

It is totally made in stainless steel with an unalterable finishing guaranteed during the years.
Thermal outputs certified in accredited laboratories in compliance with European norm EN442.

PRODUCT CERTIFICATES



P. max: 8 bar

T. max: 110° C

Available for central heating systems

Connections: n° 2 x 1/2" gas - n° 1 x 1/2" gas

AWARD

GOLD VILLA
AWARD

ACCESSORIES



Elegant manual square satin valve

Copper connection \varnothing 12/14/15
Art. Nr. 5991990320209

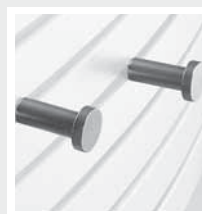
Multilayer connection \varnothing 16
Art. Nr. 5991990320208



Elegant manual reverse satin valve

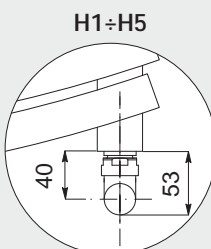
Copper connection \varnothing 12/14/15
Art. Nr. 5991990320207

Multilayer connection \varnothing 16
Art. Nr. 5991990320206



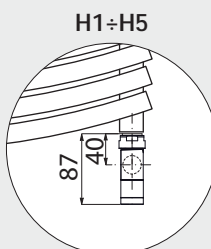
Kit 2 hooks satin stainless steel

Art. Nr. 5991990010224



H1÷H5

Measures for Elegant square manual valve



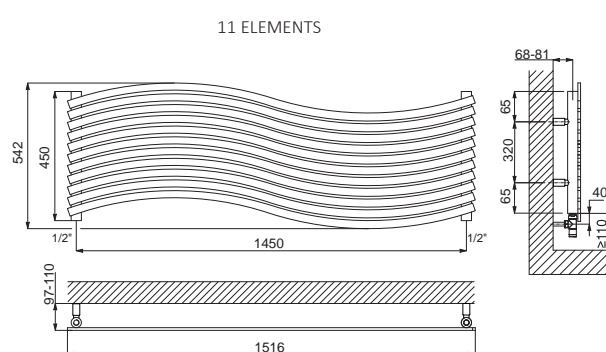
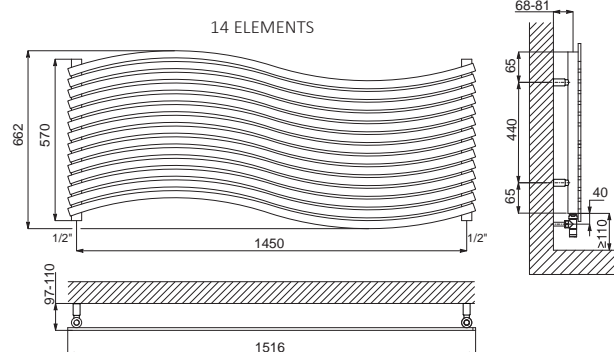
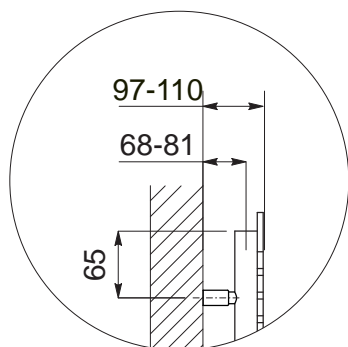
H1÷H5

Measures for Elegant reverse manual valve

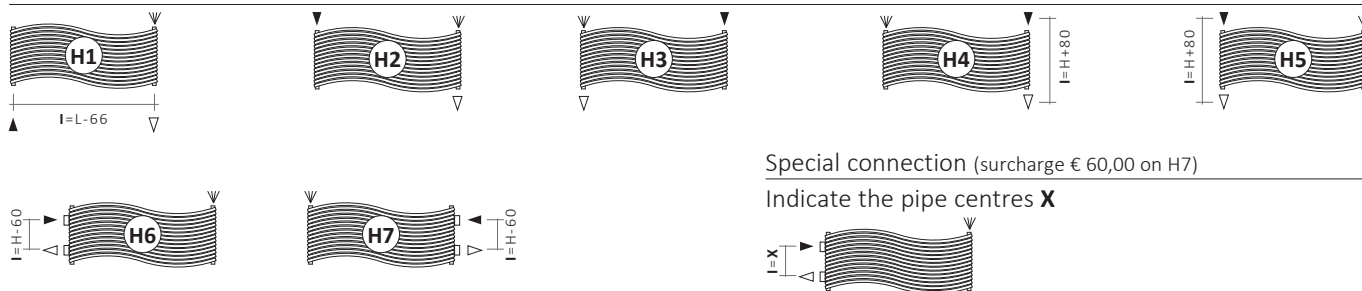


Sleeving kit for satin valves

Art. Nr. 5103000000045



Standard Connections



Special connection (surcharge € 60,00 on H7)

Indicate the pipe centres X

Always specify the kind of connection needed when ordering (from H1 to H7).

Legend = ► In ◄ Out ◀ Airvent H Height l Pipe Centres L Width □ Connection

LOLA® HORIZONTAL - SATIN STAINLESS STEEL

Art. Nr.	Variant	Height	Width	Pipe Centres	Dry Weight	Surface	Water Content	Thermal output Watt		Exponent n
		H [mm]	L [mm]	l [mm]	[Kg]	[m ²]	[lt]	Δt = 50°C	Δt = 30°C	
3551740000001	H1	450	1516	1450	15,5	1,45	4,1	549	287	1,2712
3551740000013		570	1516	1450	19,0	1,84	5,1	698	363	1,2804
3551740000106	H2	450	1516	-	15,5	1,45	4,1	549	287	1,2712
3551740000064		570	1516	-	19,0	1,84	5,1	698	363	1,2804
3551740000094	H3	450	1516	-	15,5	1,45	4,1	549	287	1,2712
3551740000093		570	1516	-	19,0	1,84	5,1	698	363	1,2804
3551740000027	H4	450	1516	530	15,5	1,45	4,1	549	287	1,2712
3551740000061		570	1516	650	19,0	1,84	5,1	698	363	1,2804
3551740000063	H5	450	1516	530	15,5	1,45	4,1	549	287	1,2712
3551740000070		570	1516	650	19,0	1,84	5,1	698	363	1,2804
3551740000036	H6	450	1516	390	15,5	1,45	4,1	549	287	1,2712
3551740000085		570	1516	510	19,0	1,84	5,1	698	363	1,2804
3551740000067	H7	450	1516	390	15,5	1,45	4,1	549	287	1,2712
3551740000082		570	1516	510	19,0	1,84	5,1	698	363	1,2804

For output at different Δt than 50°C, please refer to the following formula: desired output = output at Δt 50°C x (desired Δt/50)ⁿ



LOLA[®] HORIZONTAL

POLISHED STAINLESS STEEL | DECOR



3D
TRADEMARK

15 YEARS
WARRANTY

MATERIAL:

Vertical collectors in polished stainless steel with \varnothing of 38 mm.
Curved heating elements in polished stainless steel 30x10 mm.

FIXING KIT:

Brackets, airvent, hexagonal tool, plugs and screws for mounting suitable for use on compact or hollow brick, user notice.
The kit is certified from TÜV in compliance with VDI 6036-class 4.

PACKAGING:

The radiator is protected by a recyclable film in polyethylene and with a carton box. User notice included.

FEATURES:

It is totally made in stainless steel with an unalterable finishing guaranteed during the years.
Thermal outputs certified in accredited laboratories in compliance with European norm EN442.

PRODUCT CERTIFICATES



P. max: 8 bar

T. max: 110° C

Available for central heating systems

Connections: n° 2 x 1/2" gas - n° 1 x 1/2" gas

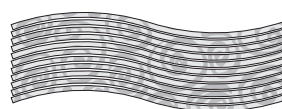
AWARD

GOLD VILLA
AWARD

LOLA[®] DECOR



artwork **Mariano Moroni**



ACCESSORIES



Elegant square manual polished valve kit

Copper connection \varnothing 12/14/15
Art. Nr. 5991990301084

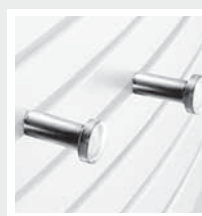
Multilayer connection \varnothing 16
Art. Nr. 5991990301083



Elegant reverse manual polished valve kit

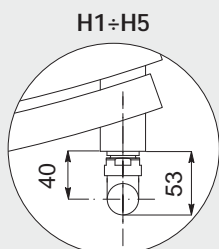
Copper connection \varnothing 12/14/15
Art. Nr. 5991990301082

Multilayer connection \varnothing 16
Art. Nr. 5991990301081



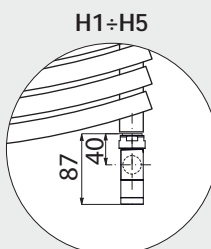
Kit 2 hooks polished stainless steel

Art. Nr. 5991990010223



H1÷H5

Measures for Elegant square manual valve



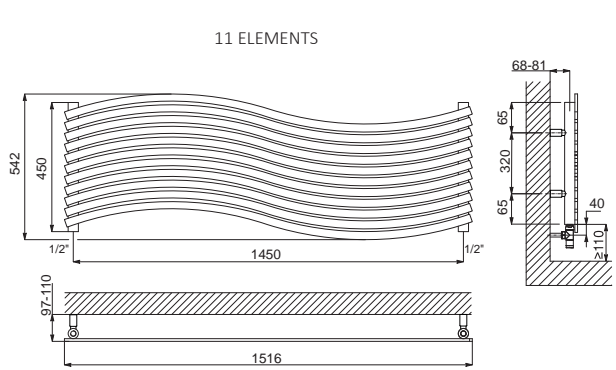
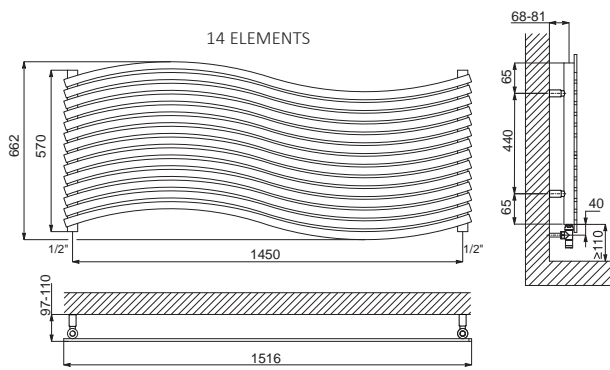
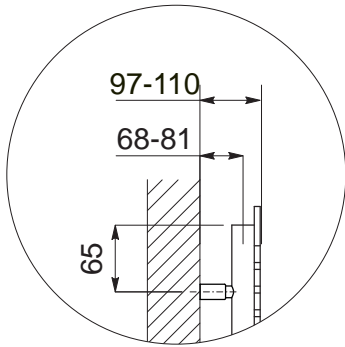
H1÷H5

Measures for Elegant reverse manual valve

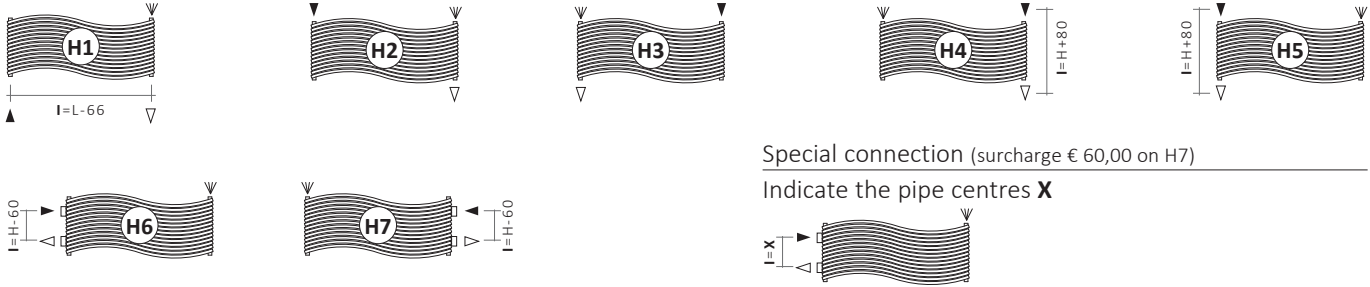


Sleeving kit for polished valves

Art. Nr. 5103000000044



Standard Connections



Special connection (surcharge € 60,00 on H7)

Indicate the pipe centres X

Always specify the kind of connection needed when ordering (from H1 to H7).

Legend = ► In ◄ Out ◀ Airvent H Height I Pipe Centres L Width □ Connection

LOLA® HORIZONTAL

Variant	Height H [mm]	Width L [mm]	Pipe Centres I [mm]	POLISHED		DECOR		Dry Weight [Kg]	Surface [m²]	Water Content [lt]	Thermal output Watt		Exponent n
				Art. Nr.	Art. Nr.	Δt = 50°C	Δt = 30°C						
H1	450	1516	1450	3551740000005	3551740000006	15,5	1,45	4,1	507	264	1,2746		
	570	1516	1450	3551740000004	3551740000007	19,0	1,84	5,1	645	334	1,2878		
H2	450	1516	-	3551740000050	3551740000072	15,5	1,45	4,1	507	264	1,2746		
	570	1516	-	3551740000107	3551740000073	19,0	1,84	5,1	645	334	1,2878		
H3	450	1516	-	3551740000108	3551740000112	15,5	1,45	4,1	507	264	1,2746		
	570	1516	-	3551740000095	3551740000102	19,0	1,84	5,1	645	334	1,2878		
H4	450	1516	530	3551740000042	3551740000066	15,5	1,45	4,1	507	264	1,2746		
	570	1516	650	3551740000068	3551740000059	19,0	1,84	5,1	645	334	1,2878		
H5	450	1516	530	3551740000080	3551740000083	15,5	1,45	4,1	507	264	1,2746		
	570	1516	650	3551740000058	3551740000078	19,0	1,84	5,1	645	334	1,2878		
H6	450	1516	390	3551740000053	3551740000074	15,5	1,45	4,1	507	264	1,2746		
	570	1516	510	3551740000014	3551740000098	19,0	1,84	5,1	645	334	1,2878		
H7	450	1516	390	3551740000051	3551740000089	15,5	1,45	4,1	507	264	1,2746		
	570	1516	510	3551740000055	3551740000113	19,0	1,84	5,1	645	334	1,2878		

For output at different Δt than 50°C, please refer to the following formula: desired output = output at Δt 50°C x (desired Δt/50)ⁿ