



KELLY

POLISHED STAINLESS STEEL



15 YEARS WARRANTY

MATERIAL:

Vertical collectors in polished stainless steel with \varnothing of 38 mm.
Horizontal heating elements in polished stainless steel with \varnothing of 18 mm.

FIXING KIT:

Brackets, airvent, hexagonal tool, plugs and screws for mounting suitable for use on compact or hollow brick, user notice.
The kit is certified from TÜV in compliance with VDI 6036-class 4.

PACKAGING:

The radiator is protected by a film in polyethylene and with a carton box.
User notice included.

FEATURES:

It is totally made in stainless steel with an unalterable finishing guaranteed during the years.
Thermal outputs certified in accredited laboratories in compliance with European norm EN442.

PRODUCT CERTIFICATES



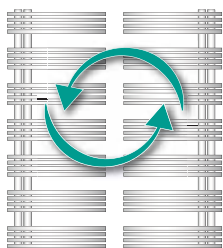
P. max: 8 bar

T. max: 110° C

Available for central heating systems

Connections: n° 4 x 1/2" gas

REVERSIBLE



ACCESSORIES



Elegant square polished valve kit pipe centres 50 mm with thermostatic head - right

Copper connection \varnothing 12/14/15
Art. Nr. 5991990301076

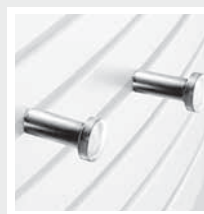
Multilayer connection \varnothing 16
Art. Nr. 5991990301075



Elegant square manual polished valve kit

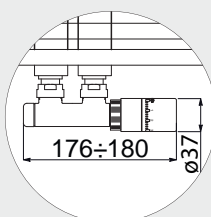
Copper connection \varnothing 12/14/15
Art. Nr. 5991990301084

Multilayer connection \varnothing 16
Art. Nr. 5991990301083



Kit 2 hooks polished stainless steel

Art. Nr. 5991990010223

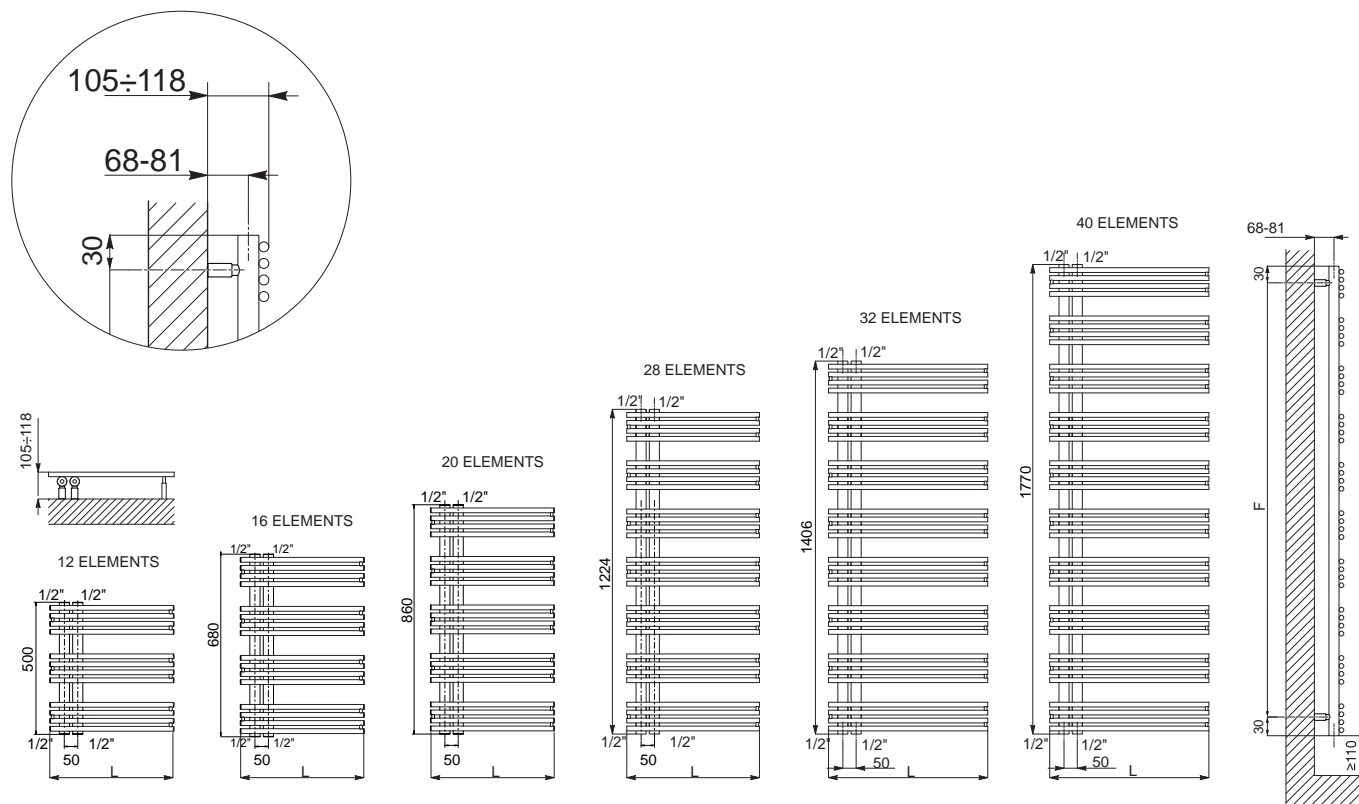


Measures for valves type Cordivari Elegant Square with thermostatic head and pipe centres 50 mm



Sleeving kit for Pipe Centres 50 mm - valves polished

Art. Nr. 5103000000057

**KELLY** POLISHED STAINLESS STEEL

Art. Nr.	Height	Width	Pipe Centres	Fixing kit centres	Dry Weight	Surface	Water Content	Thermal output Watt		Exponent n
	H [mm]	L [mm]	I [mm]	F [mm]	[Kg]	[m ²]	[lt]	$\Delta t = 50^{\circ}\text{C}$	$\Delta t = 30^{\circ}\text{C}$	
3551780400104	500	400	50	436	3,8	0,39	1,87	166	90	1,1996
3551780400099		500	50	436	4,4	0,45	2,10	208	113	1,1996
3551780400105	680	400	50	618	5,01	0,52	2,52	214	116	1,1996
3551780400107		500	50	618	5,81	0,61	2,83	259	139	1,2117
3551780400106	860	400	50	800	6,3	0,65	3,18	283	152	1,2118
3551780400100		500	50	800	7,3	0,77	3,60	323	168	1,2771
3551780400101	1224	500	50	1164	10,27	1,08	5,03	434	225	1,2881
3551780400111		600	50	1164	11,66	1,24	5,56	504	261	1,2851
3551780400102	1406	500	50	1346	11,76	1,24	5,76	489	256	1,2692
3551780400112		600	50	1346	13,3	1,42	6,30	584	303	1,2862
3551780400103	1770	500	50	1710	14,75	1,55	7,20	624	321	1,2990
3551780400113		600	50	1710	16,7	1,78	7,90	726	377	1,2832

For output at different Δt than 50°C , please refer to the following formula: desired output = output at $\Delta t 50^{\circ}\text{C} \times (\text{desired } \Delta t/50)^n$



KELLY ELECTRIC

POLISHED STAINLESS STEEL



EUROPEAN WARRANTY

MATERIAL:

Vertical collectors in polished stainless steel with \varnothing of 38 mm.
Horizontal heating elements in polished stainless steel with \varnothing of 18 mm.
Glycolate water.

FIXING KIT:

Brackets, hexagonal tool, plugs and screws for mounting suitable for use on compact or hollow brick, user notice.
The kit is certified from TÜV in compliance with VDI 6036-class 4.

PACKAGING:

The radiator is protected by a film in polyethylene and with a carton box. User notice included.

FEATURES:

It is totally made in stainless steel with an unalterable finishing guaranteed during the years.

PRODUCT CERTIFICATES



Electrical resistors: CLASS 1

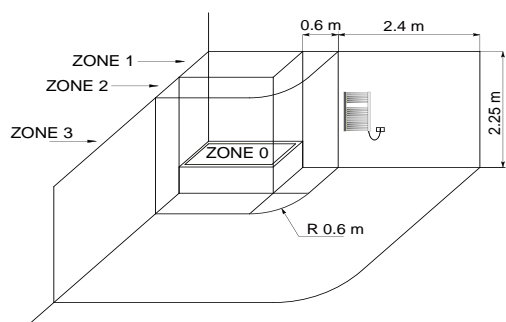
Minimum class protection: IP 44

Seasonal energy efficiency η_s : 39%

Wire Length: 1200 mm with Schuko plug

Electrical only: With digital thermostat and remote control

HOW TO PLACE ELECTRIC RADIATORS



The national rules on installing electrical equipment in the bathroom must be scrupulously respected. The electric radiators must be always installed outside zone 1 and 2. In particular the electric switch and control elements must be mandatorily located in zone 3, in order that no electrical control center is accessible to a anyone using the shower or bath.



All Cordivari electric radiators are in line with the new European regulation UE 2015/1188. The new regulation imposes a seasonal energy efficiency of electrical appliances for ambient heating with a nominal thermal output over 250 W and not less than 38%.

The seasonal energy efficiency of ambient heating (η_s) is expressed with the ratio between the demand of ambient heating supplied by a heating appliance and the annual energy consumption required to meet this demand, expressed as percentage. The Cordivari ErP is in line with the new Ecodesign directives, which are characterized by a great efficiency combined with the maximum attention to energy saving. In particular the radiators are at least equipped with: electronic temperature control; open window sensor; weekly program timer.

Thanks to the new fully programmable digital thermostats and sensors present on the radiators, now the new Cordivari ErP electric radiators, heat, efficiency and energy saving are the best allies of your comfort.

INCLUDED



Remote control for top digital thermostat

MAIN FEATURES AND FUNCTIONS:

CRONO: function of chrono-thermostat with daily or weekly programming with two temperature levels (Comfort/Eco)

COMFORT: Possibility of setting your own desired temperature for time slot for higher comfort

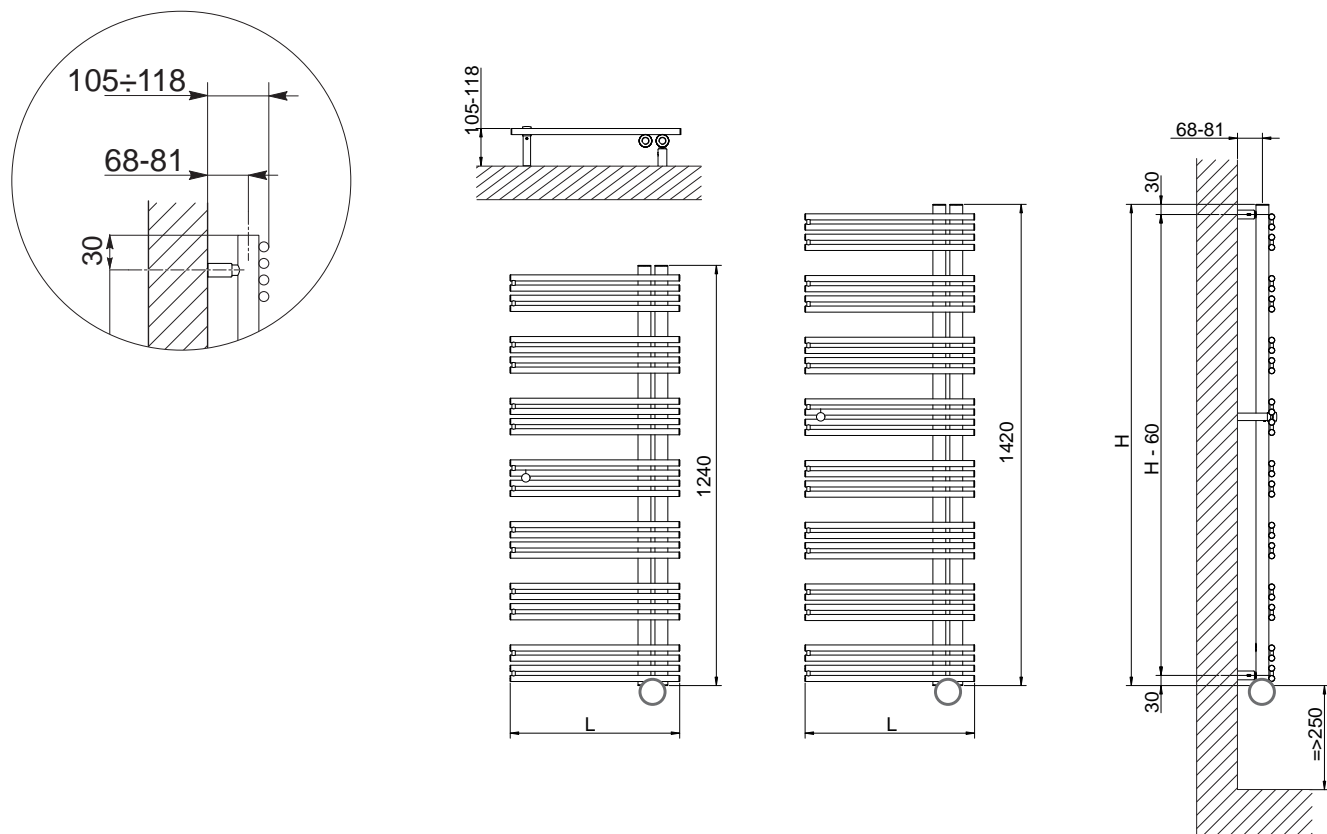
ECO: Possibility of keeping the temperature constant with lower power consumption. Useful for energy saving when the room is not occupied.

ANTI-FREEZE: Useful if the room is not used for long periods

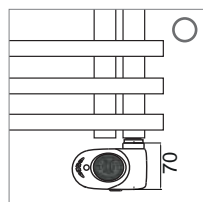
TIMER/FORCED MARCH: Useful to heat rapidly the room and dry towels thanks to 2h of forced march at max. Power.

CHILD SAFETY LOCK: special purpose lock of the display panel so to avoid any accidental alteration

REMOTE CONTROL (optional): The digital thermostat is equipped with an infrared remote control useful to manage all the aforementioned functions.



TOP DIGITAL THERMOSTAT DX

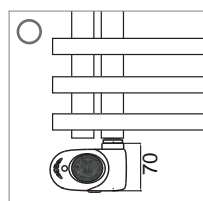


The general footprint has to be calculated considering the thermostat height

KELLY ELECTRIC - POLISHED STAINLESS STEEL

Art. Nr.	Height	Width	Thermal output	Weight
	H [mm]	L [mm]	Watt	Kg
KIT- Top digital thermostat DX (right)				
3581780500001	1240	500	500	15
3581780500002	1420	500	600	17

TOP DIGITAL THERMOSTAT SX



The general footprint has to be calculated considering the thermostat height

KELLY ELECTRIC - POLISHED STAINLESS STEEL

Art. Nr.	Height	Width	Thermal output	Weight
	H [mm]	L [mm]	Watt	Kg
KIT- Top digital thermostat SX (left)				
3581780500013	1240	500	500	15
3581780500014	1420	500	600	17