



JACKY

PATENTED



EUROPEAN
WARRANTY

MATERIAL:

Vertical collector in painted carbon steel 90x30 mm.
Horizontal heating elements in painted carbon steel 50x20 mm.

FIXING KIT:

Brackets, airvent, hexagonal tool, plugs and screws for mounting suitable for use on compact or hollow brick, user notice.
The kit is certified from TÜV in compliance with VDI 6036-class 4.

PACKAGING:

The radiator is protected by a film in polyethylene and with a carton box.
User notice included.

PAINTING PROCESS:

Painted with ecological epoxy. (Certificate DIN 55900-1,-2).
Thermal outputs certified in accredited laboratories in compliance with European norm EN442.

COLOURS:

Radiator and accessories: standard white colour R01.

PRODUCT CERTIFICATES



P. max: 5 bar

T. max: 110° C

Available for central heating systems

Connections: n° 2 x 1/2" gas - n° 2 x 1/2" gas

REVERSIBLE



ACCESSORIES



Elegant square manual valve kit painted pure white R01

Copper connection Ø 12/14/15
Art. Nr. 5991990310553

Multilayer connection Ø 16
Art. Nr. 5991990310552



Elegant square pipe centres 50 mm valve kit painted pure white R01 with thermostatic head - right

Copper connection Ø 12/14/15
Art. Nr. 5991990310543

Multilayer connection Ø 16
Art. Nr. 5991990310542



Tinta valve pipe centres 50 mm with thermostatic head - right

Copper connection Ø 12/14/15
Art. Nr. 5991990311217

Multilayer connection Ø 16
Art. Nr. 5991990311216



Elegant with thermostatic head square pure white R01 painted valve kit

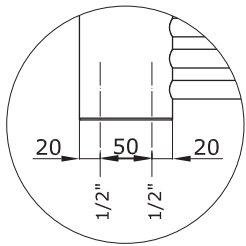
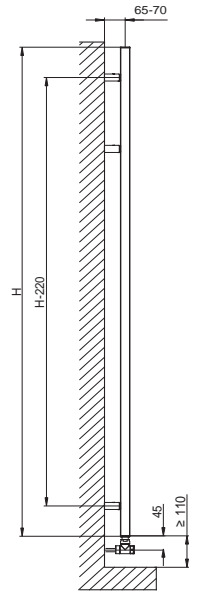
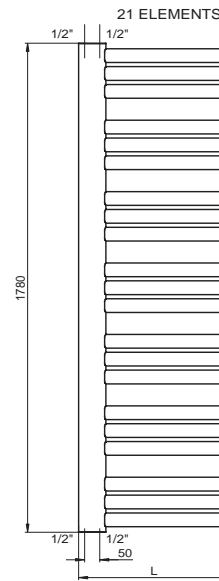
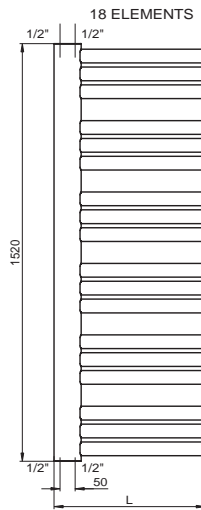
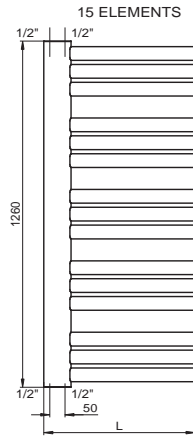
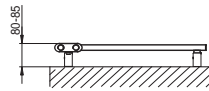
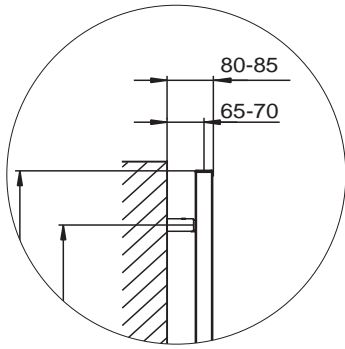
Copper connection Ø 12/14/15
Art. Nr. 5991990310539

Multilayer connection Ø 16
Art. Nr. 5991990310538



Sleeving kit for Pipe Centres 50 mm - valves polished

Art. Nr. 5103000000057



JACKY

Art. Nr.	Height		Width	Pipe Centres	Dry Weight	Surface	Water Content	Thermal output Watt		Exponent n
	H [mm]	L [mm]						$\Delta t = 50^{\circ}\text{C}$	$\Delta t = 30^{\circ}\text{C}$	
3551776101001	1260	500	50	14,4	1,1	7,8	566	306	1,2030	
3551776101002	1520	500	50	17,3	1,3	9,4	654	352	1,2133	
3551776101003	1780	500	50	20,2	1,5	11,0	741	397	1,2233	

Art. Nr. are referred to colour WHITE R01 version.

For output at different Δt than 50°C , please refer to the following formula: desired output = output at $\Delta t 50^{\circ}\text{C}$ x (desired $\Delta t/50$)ⁿ



JACKY ELECTRIC



PATENTED



EUROPEAN WARRANTY

MATERIAL:

Vertical collector in painted carbon steel 90x30 mm
Horizontal heating elements in painted carbon steel 50x20 mm
Glycolate water

FIXING KIT:

Brackets, hexagonal tool, plugs and screws for mounting suitable for use on compact or hollow brick, user notice.

The kit is certified from TÜV in compliance with VDI 6036-class 4.

PACKAGING:

The radiator is protected by a film in polyethylene and with a carton box.
User notice included.

PAINTING PROCESS:

Painted with ecological epoxy. (Certificate DIN 55900-1,-2).

COLOURS:

Radiator and accessories: standard white colour R01.

PRODUCT CERTIFICATES



Electrical resistors: CLASS 1

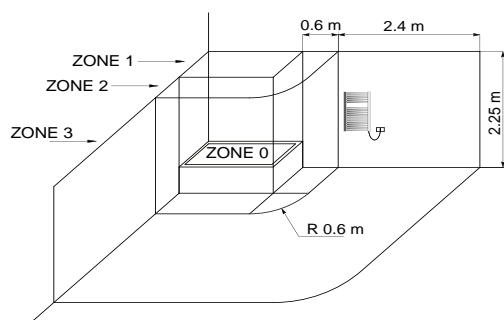
Minimum class protection: IP 44

Seasonal energy efficiency η_s : 39%

Wire Length: 1200 mm with Schuko plug

Electrical only: With digital thermostat and remote control

HOW TO PLACE ELECTRIC RADIATORS



The national rules on installing electrical equipment in the bathroom must be scrupulously respected. The electric radiators must be always installed outside zone 1 and 2.

In particular the electric switch and control elements must be mandatorily located in zone 3, in order that no electrical control center is accessible to a anyone using the shower or bath.



All Cordivari electric radiators are in line with the new European regulation UE 2015/1188. The new regulation imposes a seasonal energy efficiency of electrical appliances for ambient heating with a nominal thermal output over 250 W and not less than 38%.

The seasonal energy efficiency of ambient heating (η_s) is expressed with the ratio between the demand of ambient heating supplied by a heating appliance and the annual energy consumption required to meet this demand, expressed as percentage. The Cordivari ErP is in line with the new Ecodesign directives, which are characterized by a great efficiency combined with the maximum attention to energy saving. In particular the radiators are at least equipped with: electronic temperature control; open window sensor; weekly program timer.

Thanks to the new fully programmable digital thermostats and sensors present on the radiators, now the new Cordivari ErP electric radiators, heat, efficiency and energy saving are the best allies of your comfort.

INCLUDED



Remote control for top digital thermostat

MAIN FEATURES AND FUNCTIONS:

CRONO: function of chrono-thermostat with daily or weekly programming with two temperature levels (Comfort/Eco)

COMFORT: Possibility of setting your own desired temperature for time slot for higher comfort

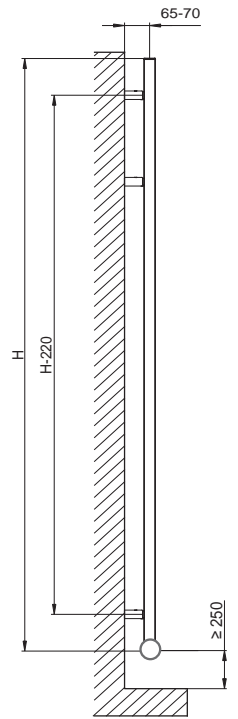
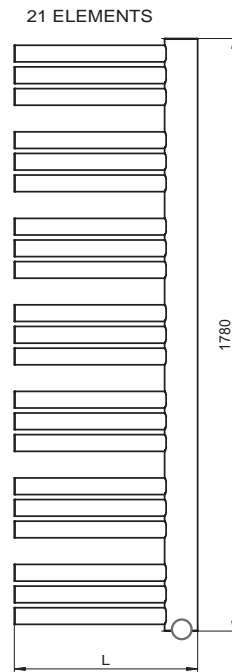
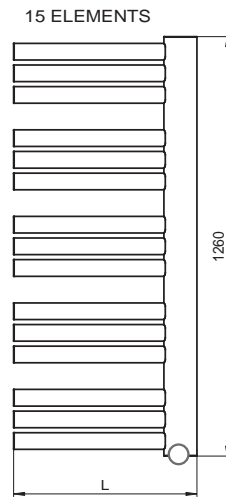
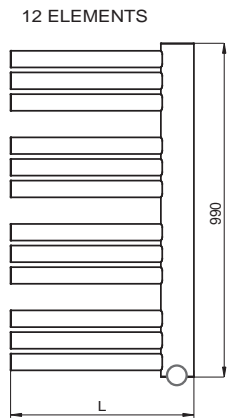
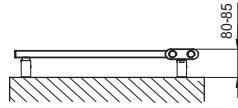
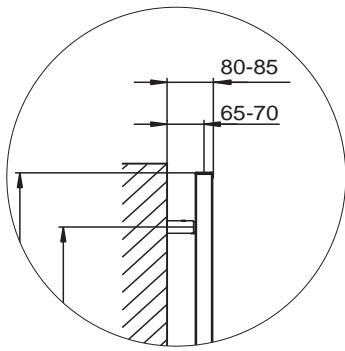
ECO: Possibility of keeping the temperature constant with lower power consumption. Useful for energy saving when the room is not occupied.

ANTI-FREEZE: Useful if the room is not used for long periods

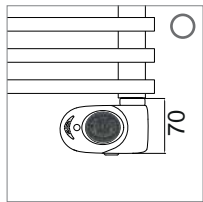
TIMER/FORCED MARCH: Useful to heat rapidly the room and dry towels thanks to 2h of forced march at max. Power.

CHILD SAFETY LOCK: special purpose lock of the display panel so to avoid any accidental alteration

REMOTE CONTROL (optional): The digital thermostat is equipped with an infrared remote control useful to manage all the aforementioned functions.



TOP DIGITAL THERMOSTAT



The general footprint has to be calculated considering the thermostat height

JACKY ELECTRIC

Art. Nr.	Height	Width	Thermal output	Weight
	H [mm]	L [mm]	Watt	[Kg]
KIT - DIGITAL THERMOSTAT				
3581776100021	990	500	500	16
3581776100022	1260	500	600	23
3581776100023	1780	500	900	32

Art. Nr. are referred to colour WHITE R01 version.