



GROOVE®

design **Mariano Moroni**

PATENTED



**EUROPEAN
WARRANTY**

MATERIAL:

Aluminium heating elements 100x20 mm.

FIXING KIT:

Brackets, airvent, hexagonal tool, plugs and screws for mounting suitable for use on compact or hollow brick, user notice.

PACKAGING:

The radiator is protected by a film in polyethylene and with a carton box. User notice included.

PAINTING PROCESS:

Painted with ecological epoxy. (Certificate DIN 55900-1,-2). Thermal outputs certified in accredited laboratories in compliance with European norm EN442.

COLOURS:

Radiator and accessories: standard white colour R01.

PRODUCT CERTIFICATES



P. max: 6 bar

T. max: 110° C

Available for central heating systems

Connections: n° 2 x 1/2" gas - n° 1 x 1/2" gas

HOW TO ORDER THE GROOVE® RADIATORS

ARTICLE CODE STRUCTURE

Radiator model	Radiator dimensions	Constant value	Article code of the connection	Article code of the color / finish Different color from standard (R01 - R02) surcharge +30%	Constant value
AAAA	BBBB	W	DDD	EEE	B

Example

Radiator model Example: Radiatore Groove 5 elements	Radiator dimensions Example: mm 1800	Constant value	Article code of the connection Example: connection V11	Article code of the finish Example: White color R01	Constant value
GR05	1800	W	V11	R01	B

EXAMPLE OF ARTICLE CODE CREATION

In case of a GROOVE, 5 elements, H 1800 mm, with V11 connection.

The article code will be:

GR05 1800 W V11 R01 B

ACCESSORIES



Elegant square pipe centres 50 mm valve kit painted pure white R01 with thermostatic head - right

Copper connection Ø 12/14/15
Art. Nr. 5991990310543

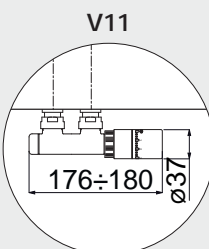
Multilayer connection Ø 16
Art. Nr. 5991990310542



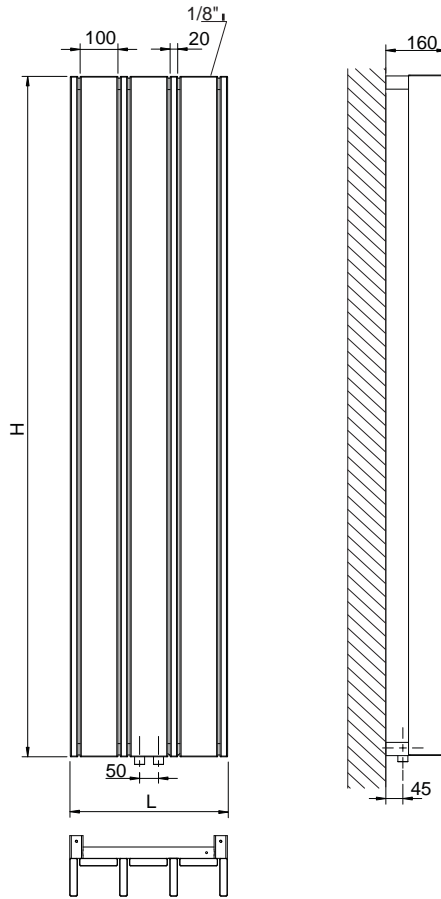
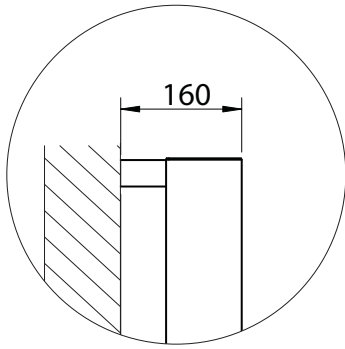
Tinta valve pipe centres 50 mm with thermostatic head - right

Copper connection Ø 12/14/15
Art. Nr. 5991990311217

Multilayer connection Ø 16
Art. Nr. 5991990311216



Measures for valves type Cordivari Elegant Square with thermostatic head and pipe centres 50 mm



Standard Connection



Legend = ► In ▷ Out ◄ Airvent **H** Height **I** Pipe Centres **L** Width □ Connection

GROOVE®

Art. Nr.	Height	Width	Pipe Centres	elements	Dry Weight	Surface	Water Content	Thermal output Watt		Exponent n
	H [mm]	L [mm]	I [mm]					$\Delta t = 50^{\circ}\text{C}$	$\Delta t = 30^{\circ}\text{C}$	
GR05 1800 W V11 R01 B	1800	284	50	5	17,3	0,67	1,8	939	530	1,1199
GR07 1800 W V11 R01 B	1800	416	50	7	24,2	0,94	2,5	1315	742	1,1199
GR05 2000 W V11 R01 B	2000	284	50	5	19,2	0,74	1,9	1043	585	1,1313
GR07 2000 W V11 R01 B	2000	416	50	7	26,9	1,04	2,7	1460	819	1,1313

Art. Nr. are referred to colour WHITE R01 version.

For output at different Δt than 50°C , please refer to the following formula: desired output = output at $\Delta t 50^{\circ}\text{C}$ x (desired $\Delta t/50$)ⁿ