



# DEBBY



EUROPEAN  
WARRANTY

### MATERIAL:

Vertical oval collector in painted carbon steel 90x30 mm.  
Horizontal heating elements in painted carbon steel  $\varnothing$  18 mm.

### FIXING KIT:

Brackets, airvent, hexagonal tool, plugs and screws for mounting suitable for use on compact or hollow brick, user notice.  
The kit is certified from TÜV in compliance with VDI 6036-class 4.

### PACKAGING:

The radiator is protected by a film in polyethylene and with a carton box.  
User notice included.

### PAINTING PROCESS:

Painted with ecological epoxy. (Certificate DIN 55900-1,-2).  
Thermal outputs certified in accredited laboratories in compliance with European norm EN442.

### COLOURS:

Radiator and accessories: standard white colour R01.

## PRODUCT CERTIFICATES



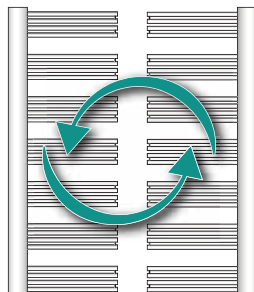
P. max: 5 bar

T. max: 110° C

Available for central heating systems

Connections: n° 2 x 1/2" gas - n° 2 x 1/2" gas

## REVERSIBLE



## ACCESSORIES



**Elegant square manual valve kit painted pure white R01**

Copper connection  $\varnothing$  12/14/15  
Art. Nr. 5991990310553

Multilayer connection  $\varnothing$  16  
Art. Nr. 5991990310552



**Elegant square pipe centres 50 mm valve kit painted pure white R01 with thermostatic head - right**

Copper connection  $\varnothing$  12/14/15  
Art. Nr. 5991990310543

Multilayer connection  $\varnothing$  16  
Art. Nr. 5991990310542



**Tinta valve pipe centres 50 mm with thermostatic head - right**

Copper connection  $\varnothing$  12/14/15  
Art. Nr. 5991990311217

Multilayer connection  $\varnothing$  16  
Art. Nr. 5991990311216



**Elegant with thermostatic head square pure white R01 painted valve kit**

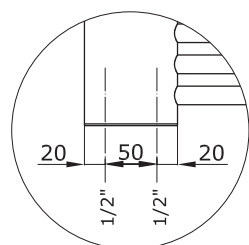
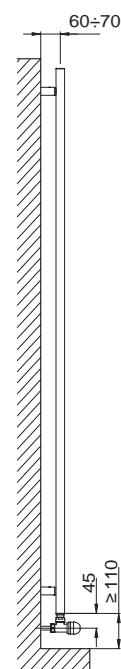
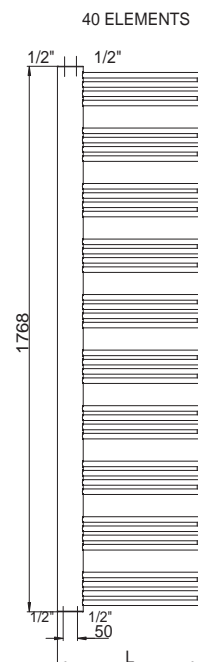
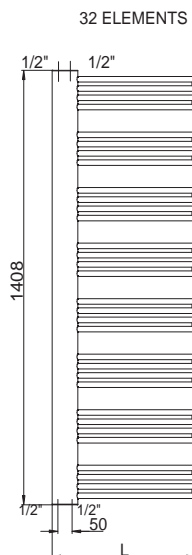
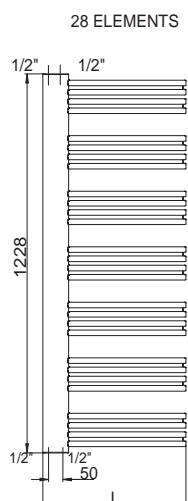
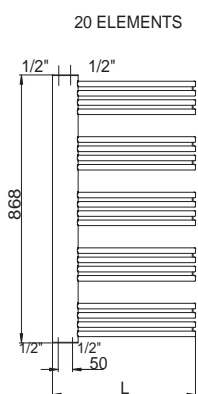
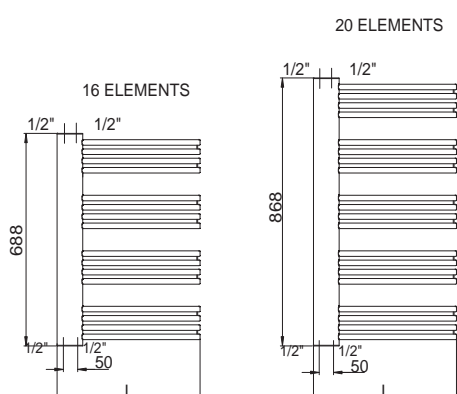
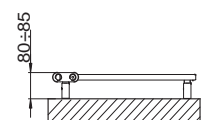
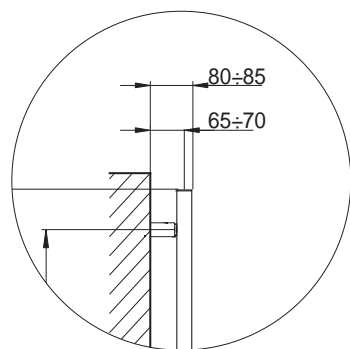
Copper connection  $\varnothing$  12/14/15  
Art. Nr. 5991990310539

Multilayer connection  $\varnothing$  16  
Art. Nr. 5991990310538



**Sleeving kit for Pipe Centres 50 mm - valves polished**

Art. Nr. 5103000000057



## DEBBY

Art. Nr.	Height	Width	Pipe Centres	Dry Weight	Surface	Water Content	Thermal output Watt		Exponent n
	H [mm]	L [mm]	l [mm]	[Kg]	[m <sup>2</sup> ]	[lt]	$\Delta t = 50^{\circ}\text{C}$	$\Delta t = 30^{\circ}\text{C}$	
3551436100000	<b>688</b>	500	50	8,4	0,51	2,6	312	168	1,2123
3551436100001	<b>868</b>	500	50	14,8	0,7	3,4	390	209	1,2224
3551436100002	<b>1228</b>	500	50	20,8	0,9	4,7	504	267	1,2403
3551436100003	<b>1408</b>	500	50	23,8	1	5,4	548	291	1,2415
3551436100004	<b>1768</b>	500	50	29,8	1,2	6,8	637	335	1,2570

Art. Nr. are referred to colour WHITE R01 version.

For output at different  $\Delta t$  than  $50^{\circ}\text{C}$ , please refer to the following formula: desired output = output at  $\Delta t 50^{\circ}\text{C} \times (\text{desired } \Delta t/50)^n$