



# BADGE®

design **Simone Micheli**



**EUROPEAN  
WARRANTY**

### MATERIAL:

Super slim heating body in painted carbon steel.

### FIXING KIT:

Brackets, airvent, hexagonal tool, plugs and screws for mounting suitable for use on compact or hollow brick, user notice.

The kit is certified from TÜV in compliance with VDI 6036-class 4.

Fixing template scheme (only available for Badge® 1212x512)

### VALVE KIT INCLUDES:

Valves

Fittings for copper pipe (Ø 12/14/15)

Fittings for multilayer pipe (Ø 16)

### PACKAGING:

The radiator is protected by a film in polyethylene and with a carton box. User notice included.

### PAINTING PROCESS:

Painted with ecological epoxy. (Certificate DIN 55900-1,-2).

Thermal outputs certified in accredited laboratories in compliance with European norm EN442.

### COLOURS:

Radiator and accessories: standard white colour R01.

## PRODUCT CERTIFICATES



P. max: 5 bar

T. max: 110° C

Available for central heating systems

Connections: n° 2 x 1/2" gas - n° 1 x 1/2" gas

## AWARD

**DESIGN PLUS**  
WINNER

**COMFORT & DESIGN**  
AWARD

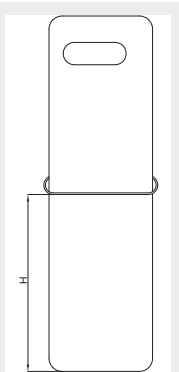
**ŁAZIENKA**  
AWARD

**PRIX DU DESIGN IDÉO BAIN**  
NOMINÉ



HOW TO PLACE  
TOWEL BAR  
BADGE VERTICAL  
(ACCESSORIES)

Model	H
	[mm]
1212x512	<b>800</b>
1755x512	<b>870</b>



## ACCESSORIES

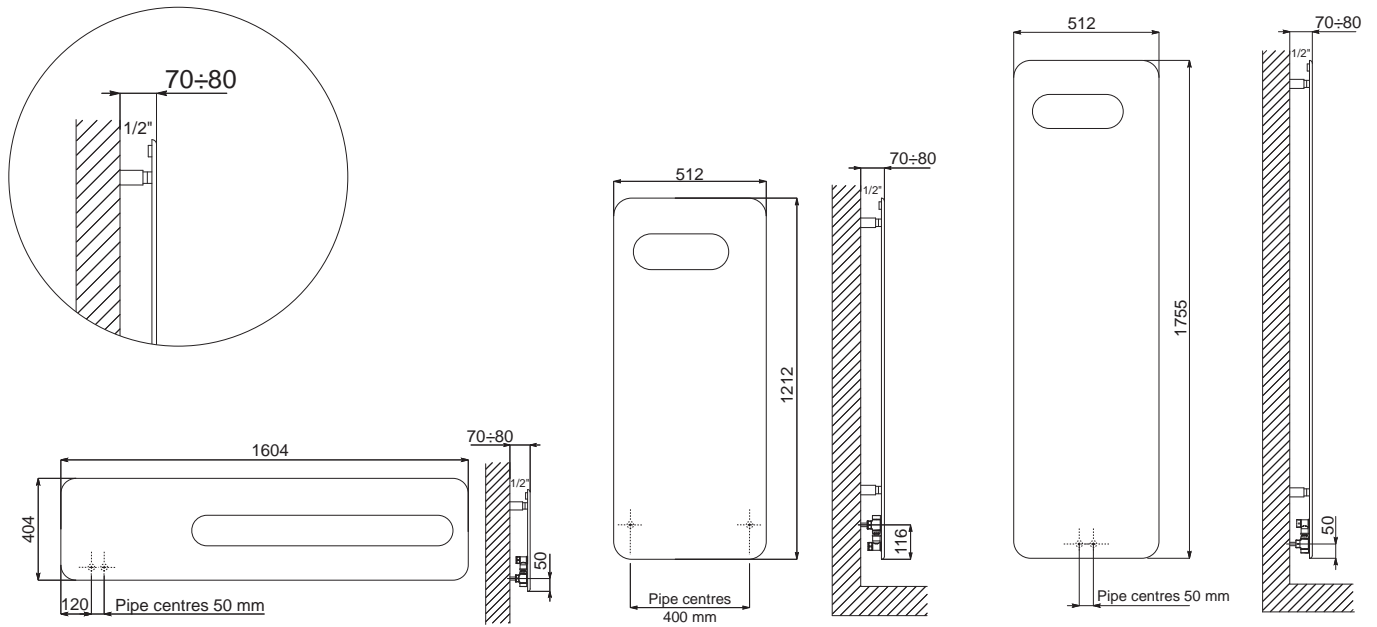


**Straight hanger polished  
stainless steel  
(L= 570 mm)**

Art. Nr. 5991990310240



Available on vertical  
BADGE®



## BADGE®

Art. Nr.	Height		Width	Pipe Centres	Dry Weight	Surface	Water Content	Thermal output Watt		Exponent n
	H [mm]	L [mm]						$\Delta t = 50^{\circ}\text{C}$	$\Delta t = 30^{\circ}\text{C}$	
3540806100021	<b>404</b>	1604	50	19	0,96	1,1	572	306	1,2224	
3540806100025	<b>1212</b>	512	400	20	1,12	0,8	567	301	1,2398	
3540806100030	<b>1755</b>	512	50	28,5	1,66	1,2	795	436	1,1749	

Art. Nr. are referred to colour WHITE R01 version.

Includes valves.

For output at different  $\Delta t$  than  $50^{\circ}\text{C}$ , please refer to the following formula:  $\text{desired output} = \text{output at } \Delta t 50^{\circ}\text{C} \times (\text{desired } \Delta t / 50)^n$



# BADGE<sup>®</sup> ELECTRIC

design **Simone Micheli**



**EUROPEAN  
WARRANTY**

#### MATERIAL:

Super slim heating body in painted carbon steel.

#### FIXING KIT:

Brackets, hexagonal tool, plugs and screws for mounting suitable for use on compact or hollow brick, user notice.

The kit is certified from TÜV in compliance with VDI 6036-class 4.

#### PACKAGING:

The radiator is protected by a film in polyethylene and with a carton box. User notice included.

#### PAINTING PROCESS:

Painted with ecological epoxy. (Certificate DIN 55900-1,-2).

#### COLOURS:

Radiator and accessories: standard white colour R01.

## PRODUCT CERTIFICATES



Electrical resistors: CLASS 2

Minimum class protection: IP 44

Seasonal energy efficiency  $\eta_s$ : 39%

Wire Length: 1200 mm with Schuko plug

Electrical only: Digital Chrono-thermostat

## AWARD

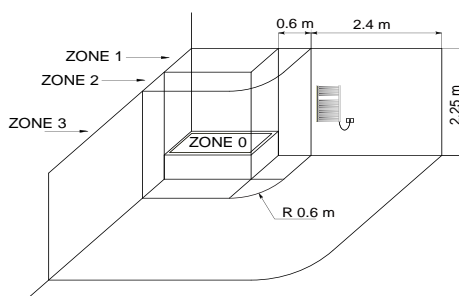
**DESIGN PLUS**  
WINNER

**COMFORT & DESIGN**  
AWARD

**ŁAZIENKA**  
AWARD

**PRIX DU DESIGN IDÉO BAIN**  
NOMINÉ

## HOW TO PLACE ELECTRIC RADIATORS



The national rules on installing electrical equipment in the bathroom must be scrupulously respected. The electric radiators must be always installed outside zone 1 and 2.

In particular the electric switch and control elements must be mandatorily located in zone 3, in order that no electrical control center is accessible to anyone using the shower or bath.

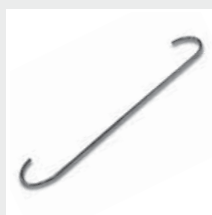


All Cordivari electric radiators are in line with the new European regulation UE 2015/1188. The new regulation imposes a seasonal energy efficiency of electrical appliances for ambient heating with a nominal thermal output over 250 W and not less than 38%.

The seasonal energy efficiency of ambient heating ( $\eta_s$ ) is expressed with the ratio between the demand of ambient heating supplied by a heating appliance and the annual energy consumption required to meet this demand, expressed as percentage. The Cordivari ErP is in line with the new Ecodesign directives, which are characterized by a great efficiency combined with the maximum attention to energy saving. In particular the radiators are at least equipped with: electronic temperature control; open window sensor; weekly program timer.

Thanks to the new fully programmable digital thermostats and sensors present on the radiators, now the new Cordivari ErP electric radiators, heat, efficiency and energy saving are the best allies of your comfort.

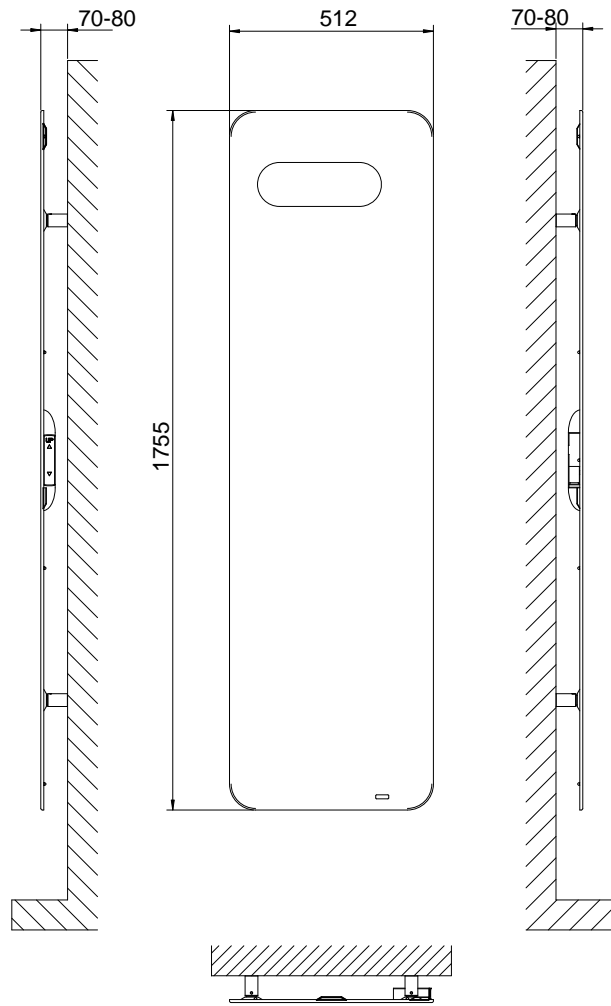
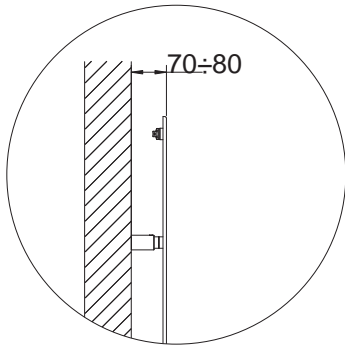
## ACCESSORIES



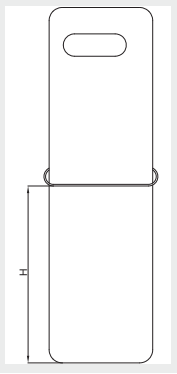
**Straight hanger polished  
stainless steel  
(L= 570 mm)**

Art. Nr. 5991990310240





HOW TO PLACE  
TOWEL BAR  
BADGE VERTICAL  
(ACCESSORIES)



Model	H
	[mm]
1755x512	<b>870</b>

## BADGE<sup>®</sup> ELECTRIC

Art. Nr.	Height	Width	Thermal output	Weight
	H [mm]	L [mm]	Watt	Kg
CLASS 2 - DIGITAL CHRONO-THERMOSTAT, SCHUKO PLUG, V 230				
3582806100003	<b>1755</b>	512	750	28,5

Art. Nr. are referred to colour WHITE R01 version.



- DIGITAL THERMOSTAT WITH LCD DISPLAY
- DAILY AND WEEKLY PROGRAM SET

INOX STYLE

EXTRASLIM<sup>®</sup>

NEO DESIGN

CLASSIC LINE

GRAPHIC PICTURE

VALVES AND ACCESSORIES  
TECHNICAL SUPPORT