



BABYLA

SATIN STAINLESS STEEL

design **Mariano Moroni**



**15 YEARS
WARRANTY**

MATERIAL:

Vertical collectors in satin stainless steel with \varnothing of 38 mm.
Horizontal heating elements in satin stainless steel 30x10 mm.

FIXING KIT:

Brackets, airvent, hexagonal tool, plugs and screws for mounting suitable for use on compact or hollow brick, user notice.
The kit is certified from TÜV in compliance with VDI 6036-class 4.

PACKAGING:

The radiator is protected by a film in polyethylene and with a carton box.
User notice included.

FEATURES:

It is totally made in stainless steel with an unalterable finishing guaranteed during the years.
Thermal outputs certified in accredited laboratories in compliance with European norm EN442.

PRODUCT CERTIFICATES



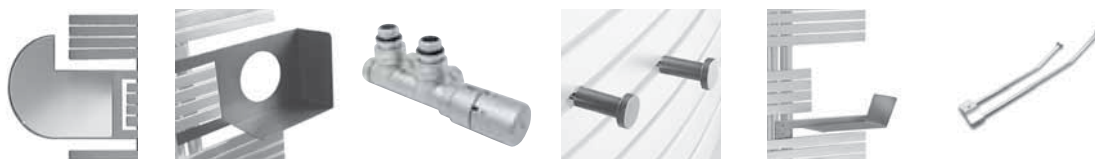
P. max: 8 bar

T. max: 110° C

Available for central heating systems

Connections: n° 2 x 1/2" gas - n° 1 x 1/2" gas

KIT ELITE SATIN STAINLESS STEEL



KIT ELITE satin

(only for Babyla H 1500)

Art. Nr.
510200000104

N° 1 mirror

N° 1 shelf for books

(*) Elegant square
satin valve kit pipe
centres 50 mm
with thermostatic
head

N° 2 hooks for
hanging clothes
satin stainless steel
 \varnothing 20 mm

N° 3 shelves
(2 on the left,
1 on the right)

N° 1 antenna for
hanging clothes

(*) Either when buying the "Elite kit" or the single valve, always specify in the order, the connection needed: copper or multilayer.

ACCESSORIES



**Elegant square satin valve
kit pipe centres 50 mm
with thermostatic head
- right**

Copper connection \varnothing 12/14/15
Art. Nr. 5991990320201

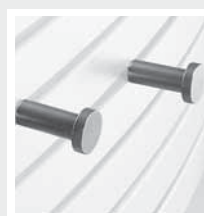
Multilayer connection \varnothing 16
Art. Nr. 5991990320200



**Elegant manual square
satin valve**

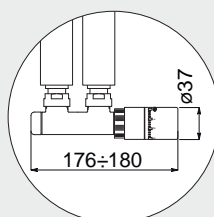
Copper connection \varnothing 12/14/15
Art. Nr. 5991990320209

Multilayer connection \varnothing 16
Art. Nr. 5991990320208



**Kit 2 hooks satin stain-
less steel**

Art. Nr. 5991990010224

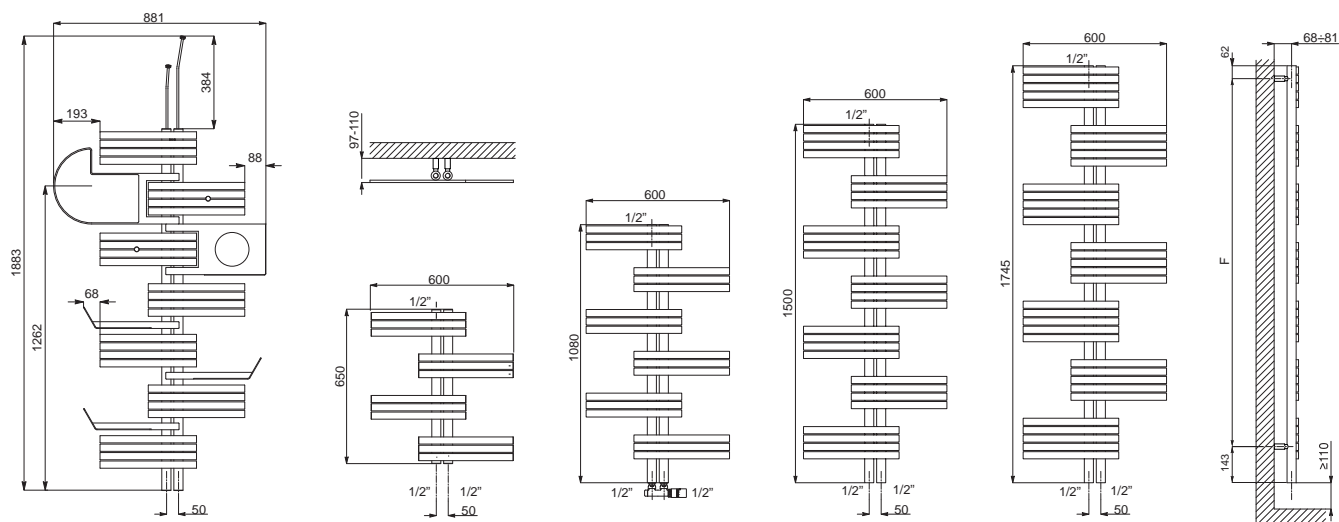
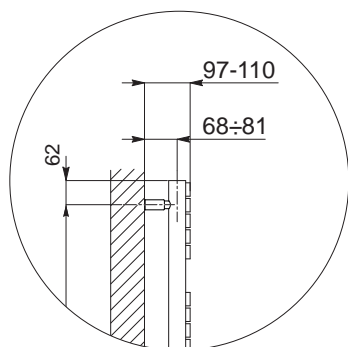


Measures for valves type
Cordivari Elegant Square
with thermostatic head and
pipe centres 50 mm



**Sleeving kit for Pipe
Centres 50 mm - valves
satin**

Art. Nr. 5103000000058



Dimensions and volume of the satin elite kit (only for the 1500 mm height version).



BABYLA SATIN STAINLESS STEEL

Art. Nr.	Height	Width	Pipe Centres	Fixing kit centres	Dry Weight	Surface	Water Content	Thermal output Watt		Exponent n
	H [mm]	L [mm]	I [mm]	F [mm]	[Kg]	[m ²]	[lt]	$\Delta t = 50^{\circ}\text{C}$	$\Delta t = 30^{\circ}\text{C}$	
3551730130004	650	600	50	445	5,5	0,51	2,3	167	89	1,2235
3551730130001	1080	600	50	875	8,8	0,83	3,2	250	133	1,2351
3551730130002	1500	600	50	1275	13,3	1,25	4,5	357	187	1,2686
3551730130003	1745	600	50	1540	16,9	1,53	6,0	432	223	1,2904

For output at different Δt than 50°C , please refer to the following formula: desired output = output at $\Delta t 50^{\circ}\text{C}$ x (desired $\Delta t/50$)ⁿ



BABYLA

POLISHED STAINLESS STEEL

design **Mariano Moroni**



15 YEARS WARRANTY

MATERIAL:

Vertical collectors in polished stainless steel with \varnothing of 38 mm.
Horizontal heating elements in polished stainless steel 30x10 mm.

FIXING KIT:

Brackets, airvent, hexagonal tool, plugs and screws for mounting suitable for use on compact or hollow brick, user notice.
The kit is certified from TÜV in compliance with VDI 6036-class 4.

PACKAGING:

The radiator is protected by a film in polyethylene and with a carton box.
User notice included.

FEATURES:

It is totally made in stainless steel with an unalterable finishing guaranteed during the years.
Thermal outputs certified in accredited laboratories in compliance with European norm EN442.

PRODUCT CERTIFICATES



P. max: 8 bar

T. max: 110° C

Available for central heating systems

Connections: n° 2 x 1/2" gas - n° 1 x 1/2" gas

ACCESSORIES



Elegant square polished valve kit pipe centres 50 mm with thermostatic head - right

Copper connection \varnothing 12/14/15
Art. Nr. 5991990301076

Multilayer connection \varnothing 16
Art. Nr. 5991990301075



Elegant square manual polished valve kit

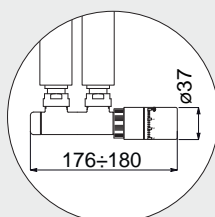
Copper connection \varnothing 12/14/15
Art. Nr. 5991990301084

Multilayer connection \varnothing 16
Art. Nr. 5991990301083



Kit 2 hooks polished stainless steel

Art. Nr. 5991990010223

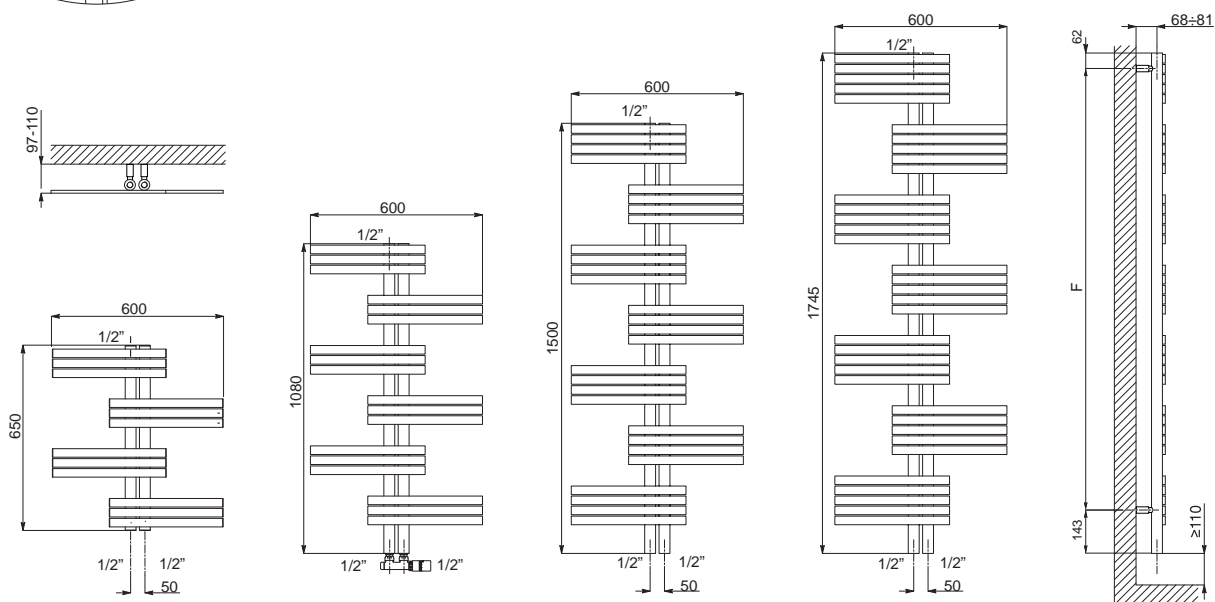
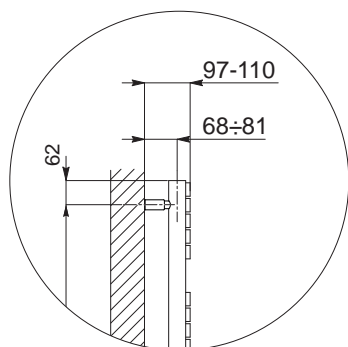


Measures for valves type Cordivari Elegant Square with thermostatic head and pipe centres 50 mm



Sleeving kit for Pipe Centres 50 mm - valves polished

Art. Nr. 5103000000057



BABYLA POLISHED STAINLESS STEEL

Art. Nr.	Height		Width	Pipe Centres	Fixing kit centres	Dry Weight	Surface	Water Content		Thermal output Watt		Exponent n
	H [mm]	L [mm]						$\Delta t = 50^{\circ}\text{C}$	$\Delta t = 30^{\circ}\text{C}$			
3551730130014	650	600	50	445	5,5	0,51	2,3	156	83	1,2246		
3551730130011	1080	600	50	875	9,2	0,83	3,4	233	124	1,2351		
3551730130012	1500	600	50	1275	13,3	1,25	4,5	333	174	1,2687		
3551730130013	1745	600	50	1540	16,9	1,53	6,0	395	204	1,2904		

For output at different Δt than 50°C , please refer to the following formula: desired output = output at $\Delta t 50^{\circ}\text{C} \times (\text{desired } \Delta t/50)^n$



BABYLA

GOLD POLISHED STAINLESS STEEL

design **Mariano Moroni**



**5 YEARS
WARRANTY**

MATERIAL:

Vertical collectors in polished stainless steel with \varnothing of 38 mm.
Horizontal heating elements in polished stainless steel 30x10 mm.

FIXING KIT:

Brackets, airvent, hexagonal tool, plugs and screws for mounting suitable for use on compact or hollow brick, user notice.
The kit is certified from TÜV in compliance with VDI 6036-class 4.

PACKAGING:

The radiator is protected by a film in polyethylene and with a carton box.
User notice included.

FEATURES:

It is totally made in stainless steel with an unalterable finishing guaranteed during the years.
Thermal outputs certified in accredited laboratories in compliance with European norm EN442.

PRODUCT CERTIFICATES



P. max: 8 bar

T. max: 110° C

Available for central heating systems

Connections: n° 2 x 1/2" gas - n° 1 x 1/2" gas

ACCESSORIES



Elegant square gold polished valve kit pipe centres 50 mm with thermostatic head - right

Copper connection \varnothing 12/14/15
Art. Nr. 5991990301089

Multilayer connection \varnothing 16
Art. Nr. 5991990301091



Elegant square manual polished gold valve kit

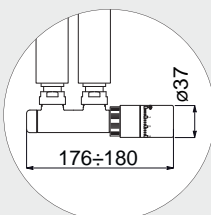
Copper connection \varnothing 12/14/15
Art. Nr. 5991990301056

Multilayer connection \varnothing 16
Art. Nr. 5991990301055

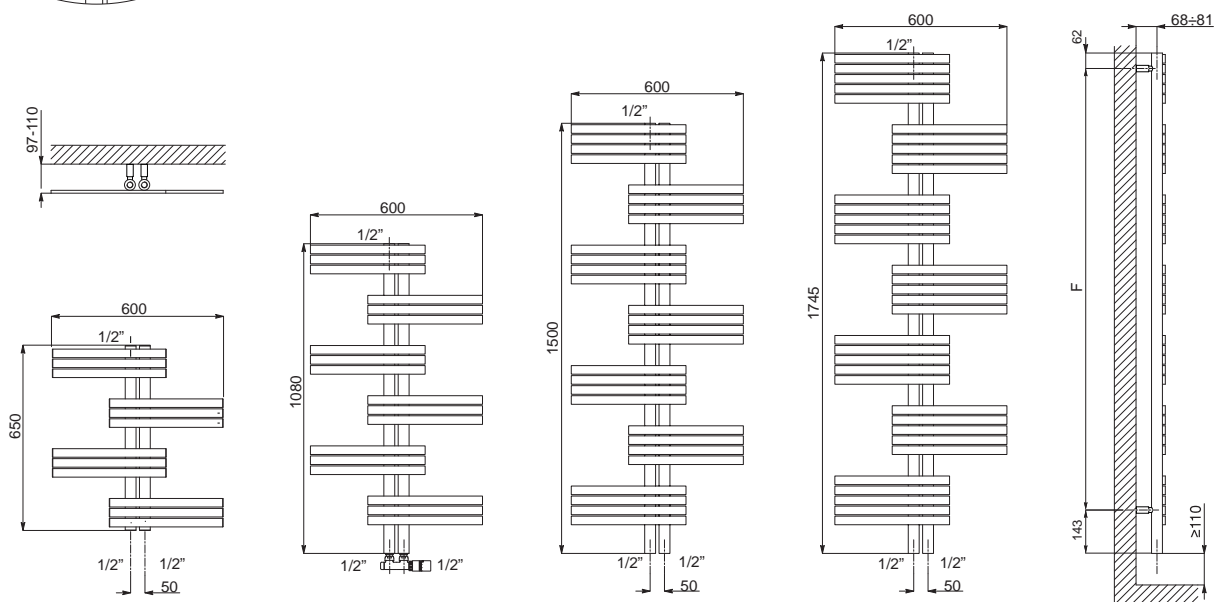
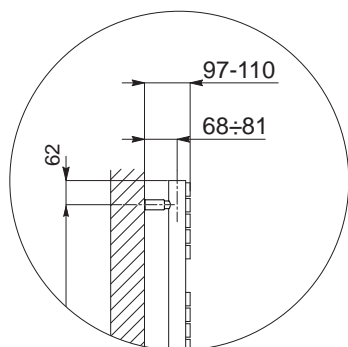


Sleeving kit for Pipe Centres 50 mm - valves polished gold

Art. Nr. 5103000000087



Measures for valves type Cordivari Elegant Square with thermostatic head and pipe centres 50 mm



BABYLA GOLD POLISHED STAINLESS STEEL

Art. Nr.	Height	Width	Pipe Centres	Fixing kit centres	Dry Weight	Surface	Water Content	Thermal output Watt		Exponent n
	H [mm]	L [mm]	I [mm]	F [mm]	[Kg]	[m ²]	[lt]	$\Delta t = 50^{\circ}\text{C}$	$\Delta t = 30^{\circ}\text{C}$	
3551730130024	650	600	50	445	5,5	0,51	2,3	156	83	1,2246
3551730130021	1080	600	50	875	9,2	0,83	3,4	233	124	1,2351
3551730130022	1500	600	50	1275	13,3	1,25	4,5	333	174	1,2687
3551730130023	1745	600	50	1540	16,9	1,53	6,0	395	204	1,2904

For output at different Δt than 50°C , please refer to the following formula: desired output = output at $\Delta t 50^{\circ}\text{C}$ x (desired $\Delta t/50$)ⁿ