

Price for items with White RAL 9010 finish and standard connectors. VAT and transport costs not included.
For correction factors different to $\Delta T50^{\circ}\text{C}/\Delta T30^{\circ}\text{C}$ see page 284-289

The ALBATROS model is created with 14 mm horizontal curved steel elements.

To identify the radiator model to be ordered, proceed as follows:
Identify and specify the code (e.g. AL), the width (e.g. 150), the number of elements (e.g. 20 equal to a height of 55,5 cm), the connector (e.g. OB1), the support (e.g. ST), and the colour (e.g. white RAL 9010).
Therefore, in this example the complete code is:

AL# 150 020 OB1 ST 9010 D9005

ADDITIONAL COLOUR AND FINISH CHARGE (see new colour chart)

The additional charges are calculated on the base price of RAL 9010 for the coloured versions and on the base price of Glossy Chrome for the plated finishes.

- C0 Category without any additional charge (RAL 9010)
- Category C1 and C2 +10%
- C3 Category +20%
- RAL colours not included in the colour chart +30%
- Colours according to samples request feasibility and cost estimate

PLATED finishes

- G0 Category without any additional charge (Glossy Chrome)
- G1 Category +10
- G5 Category +50% (14kt Gold)
- G6 Category +60% (24kt Gold)

BRACKET SUPPORTS

The ALBATROS model cannot be supplied with bracket supports.

PACKING

The cardboard packing box is included in the price of sale of the products, and for the ALBATROS model it contains the complete wall fixing kit and the manual vent valve.

NOTES

The curving of Albatros elements are not precisely identical because due to manual processing there could be some difference in size (± 0.5 cm).

VALVES

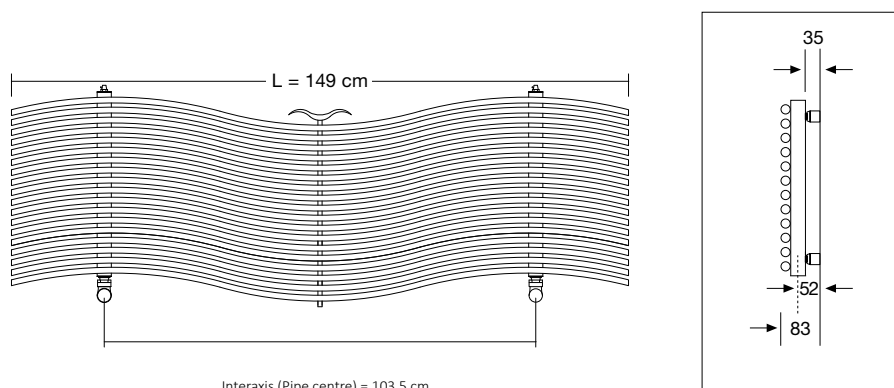
For valves and Lockshield see page 271 - 272 - 273 - 274 - 275.

CONNECTORS

The ALBATROS model is supplied exclusively with specifically modified "OB1" connectors.
This model cannot be installed vertically, but only horizontally.

Model	N° elements	H (cm)	L (cm)	Interaxis (Pipe centre) (cm)	Coloured version		Chrome plated version		Category C0 RAL 9010 (€)	Category C1 (€)	Category C3 (€)	Chrome plated G0 (€)
					Watts $\Delta T 50^{\circ}\text{C}$	Watts $\Delta T 30^{\circ}\text{C}$	Watts $\Delta T 50^{\circ}\text{C}$	Watts $\Delta T 30^{\circ}\text{C}$				
AL#150010	10	31,5	149,0	103,5	467	243	420	219				
AL#150012	12	36,3	149,0	103,5	565	294	509	265				
AL#150014	14	41,1	149,0	103,5	668	348	602	314				
AL#150016	16	45,9	149,0	103,5	772	402	695	362				
AL#150018	18	50,7	149,0	103,5	874	455	786	410				
AL#150020	20	55,5	149,0	103,5	974	507	877	457				
AL#150022	22	60,3	149,0	103,5	1075	560	967	504				
AL#150024	24	65,1	149,0	103,5	1173	611	1055	550				
AL#150026	26	69,9	149,0	103,5	1269	661						
AL#150028	28	74,7	149,0	103,5	1365	711						
AL#150030	30	79,5	149,0	103,5	1459	760						

N.B.: The code "AL" is replaced with "ALG" in models with plated finish (chrome, nickel satin finish, 14kt gold and 24kt gold)



Price for items with White RAL 9010 finish and standard connectors. VAT and transport costs not included.
For correction factors different to $\Delta T50^{\circ}\text{C}/\Delta T30^{\circ}\text{C}$ see page 284-289

The ALBATROS model is created with 14 mm horizontal curved steel elements.

To identify the radiator model to be ordered, proceed as follows:

Identify and specify the code (e.g. AL), the width (e.g. 200), the number of elements (e.g. 20 equal to a height of 55,5 cm), the connector (e.g. OB1), the support (e.g. ST), and the colour (e.g. white RAL 9010).

Therefore, in this example the complete code is:

AL# 200 020 0B1 ST 9010 D9005

For the black finish models the decorative central element is always supplied in Matt Black or Grey Chrome. On request ALBATROS can also be supplied without the decorative element.

ADDITIONAL COLOUR AND FINISH CHARGE (see new colour chart)

The additional charges are calculated on the base price of RAL 9010 for the coloured versions and on the base price of Glossy Chrome for the plated finishes.

- C0 Category without any additional charge (RAL 9010)
(See extra charges for the colours on page 196)
- Category C1 and C2
- C3 Category +20%
- RAL colours not included in the colour chart +30%
- Colours according to samples request feasibility and cost estimate

PLATED finishes

- G0 Category without any additional charge (Glossy Chrome)
- G1 Category +10
- G5 Category +50% (14kt Gold)
- G6 Category +60% (24kt Gold)

BRACKET SUPPORTS

The ALBATROS model cannot be supplied with bracket supports.

PACKING

The cardboard packing box is included in the price of sale of the products, and for the ALBATROS model it contains the complete wall fixing kit and the manual vent valve.

NOTES

The curving of Albatros elements are not precisely identical because due to manual processing there could be some difference in size (± 0.5 cm).

VALVES

For valves and Lockshield see page 271 - 272 - 273 - 274 - 275.

CONNECTORS

The ALBATROS model is supplied exclusively with specifically modified "OB1" connectors.
This model cannot be installed vertically, but only horizontally.

Model	N° elements	H (cm)	L (cm)	Interaxis (Pipe centre) (cm)	Coloured version		Chrome plated version		Category C0 RAL 9010 (€)	Category C1 (€)	Category C3 (€)	Chrome plated G0 (€)
					Watts $\Delta T 50^{\circ}\text{C}$	Watts $\Delta T 30^{\circ}\text{C}$	Watts $\Delta T 50^{\circ}\text{C}$	Watts $\Delta T 30^{\circ}\text{C}$				
AL#200010	10	31,5	198,0	141	622	324	559	291				
AL#200012	12	36,3	198,0	141	754	393	676	352				
AL#200014	14	41,1	198,0	141	892	465	803	418				
AL#200016	16	45,9	198,0	141	1029	536	926	482				
AL#200018	18	50,7	198,0	141	1165	607	1048	546				
AL#200020	20	55,5	198,0	141	1299	677	1168	609				
AL#200022	22	60,3	198,0	141	1433	747	1289	672				
AL#200024	24	65,1	198,0	141	1564	815	1406	733				
AL#200026	26	69,9	198,0	141	1691	881						
AL#200028	28	74,7	198,0	141	1820	948						
AL#200030	30	79,5	198,0	141	1853	965						

N.B.: The code "AL" is replaced with "ALG" in models with plated finish (chrome, nickel satin finish, 14kt gold and 24kt gold)

