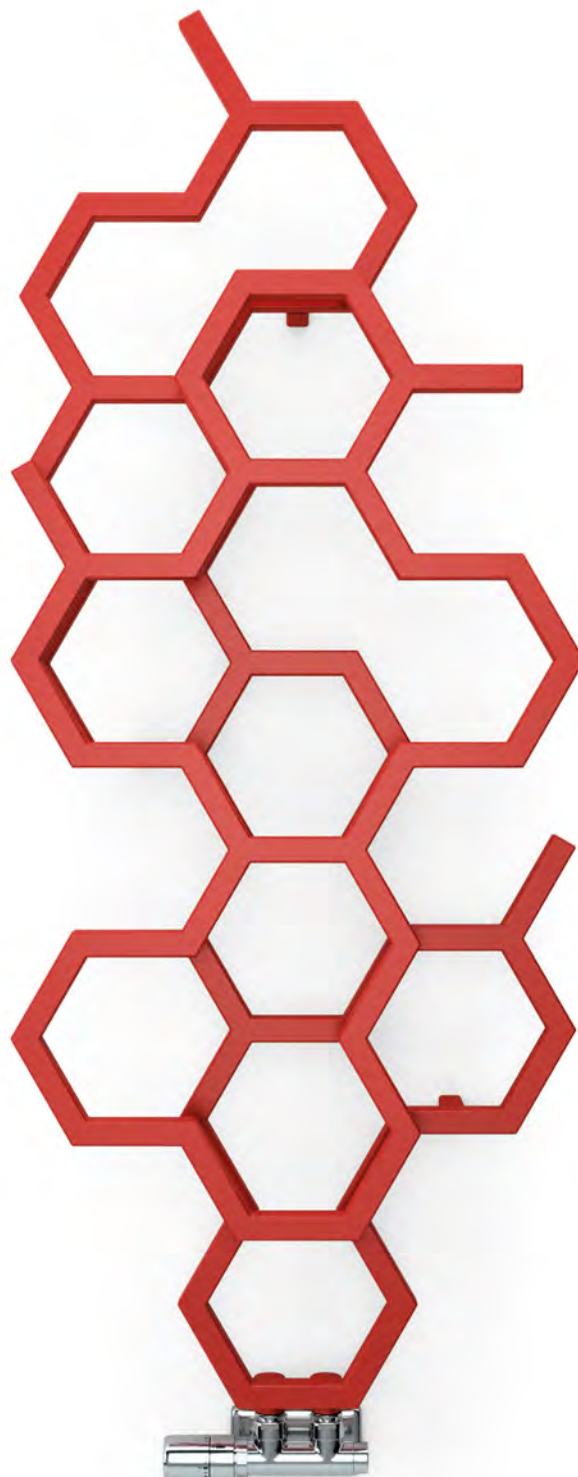
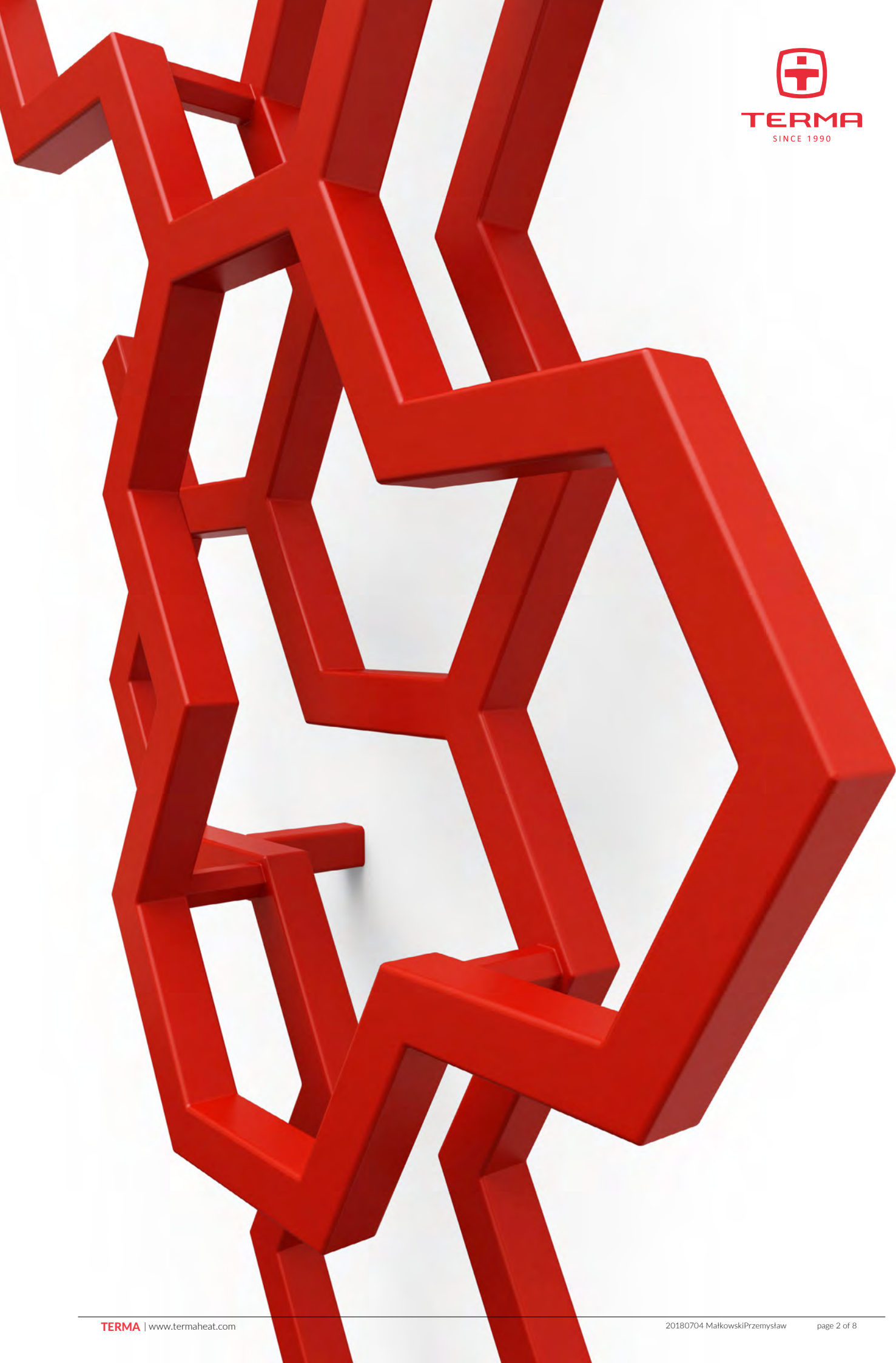


HEX



Hex 1220 \updownarrow x 486 \leftrightarrow ZX
colour: Soft 3028

Integrated thermostatic valve, angled, right, chrome
SLIM thermostatic head, chrome
Integrated pipe-masking set, chrome



TERMA

SINCE 1990



Standard connections:

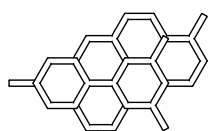
A \updownarrow 422÷502:



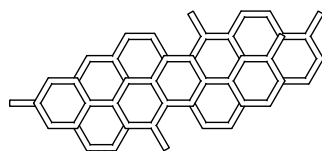
A \updownarrow 821÷1700:



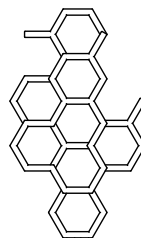
Available sizes:



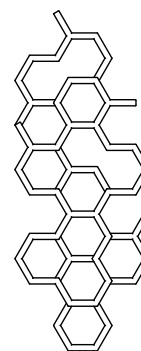
422 x 711



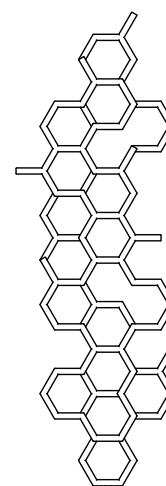
502 x 1126



821 x 486



1220 x 486



1700 x 573

Specification:

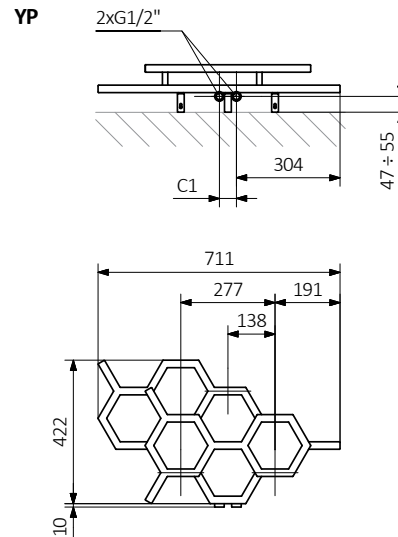
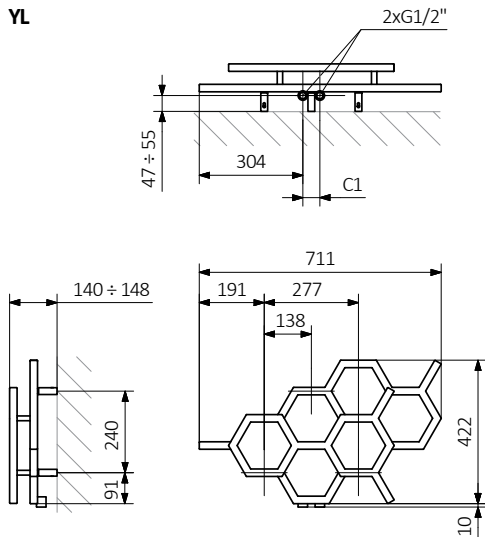
Working pressure: 1000 kPa Maximum operating temperature: 95°C

A \updownarrow [mm]	B \leftrightarrow [mm]	C1 [mm]	75/65/20°C [W]	55/45/20°C [W]	[dm ³]	[kg]	Product code <small>Configuration code p. 7</small>
422	711	50	190	102	1,25	3,66	WGH2X042071
502	1126	50	317	169	2,22	6,31	WGH2X050112
821	486	50	248	131	1,67	4,80	WGH2X082048
1220	486	50	346	180	2,43	6,86	WGH2X122048
1700	573	50	500	258	3,61	10,04	WGH2X170057

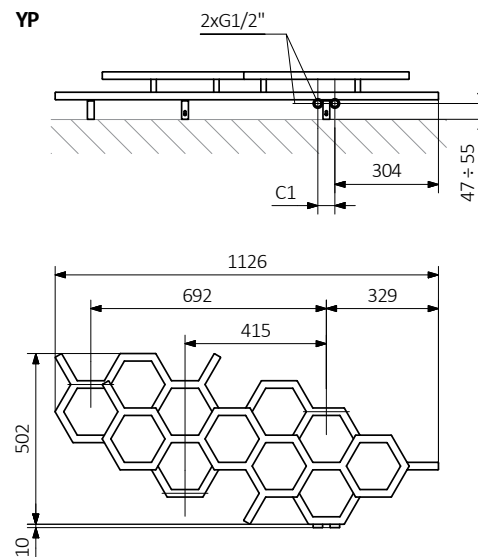
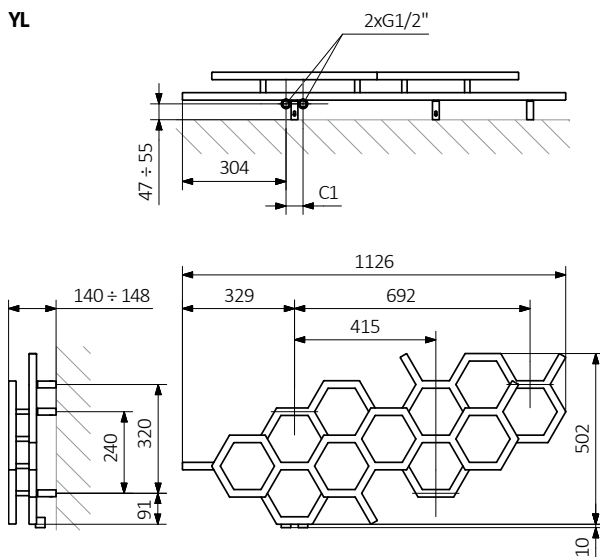


Technical drawing:

422 x 711
 ↕ ↔

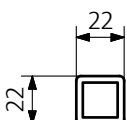


502 x 1126
 ↕ ↔



A – Height B – Width C1-C5 – Distance between pipe centres D – Horizontal distance between mounting bracket centres
 E – Vertical distance between mounting brackets F – Distance between a mounting bracket and the bottom of the radiator

Pipe:

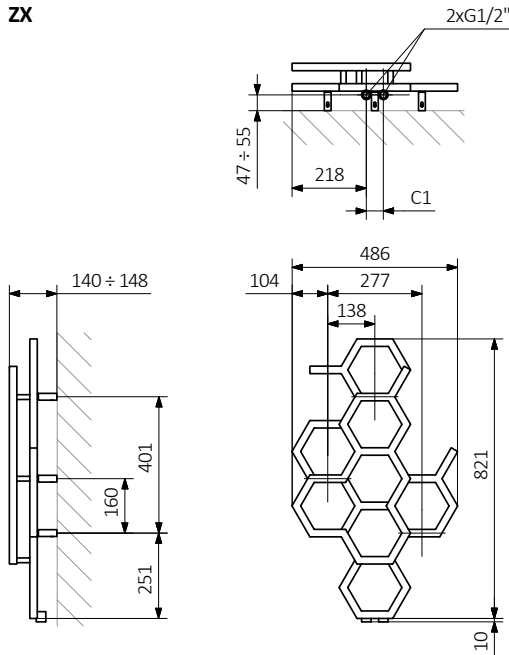




Technical drawing:

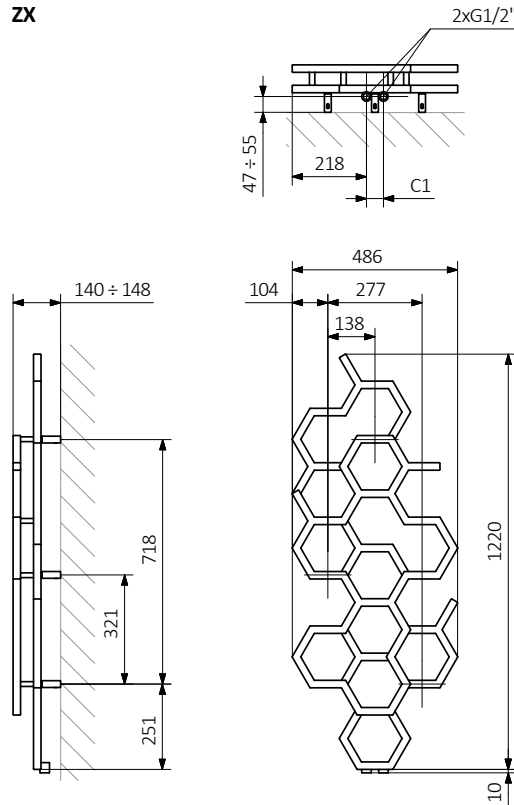
821 x 486
 ↓ ↔

ZX



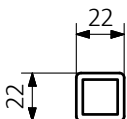
1220 x 486
 ↓ ↔

ZX



A – Height B – Width C1-C5 – Distance between pipe centres D – Horizontal distance between mounting bracket centres
 E – Vertical distance between mounting brackets F – Distance between a mounting bracket and the bottom of the radiator

Pipe:

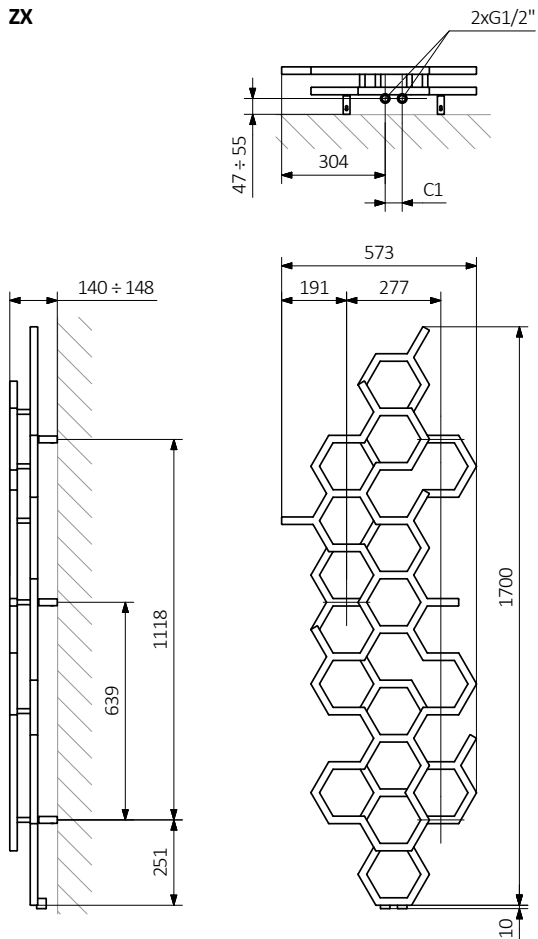




Technical drawing:

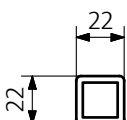
1700 x 573
 ↓ ↔

ZX



A – Height B – Width C1-C5 – Distance between pipe centres D – Horizontal distance between mounting bracket centres
 E – Vertical distance between mounting brackets F – Distance between a mounting bracket and the bottom of the radiator

Pipe:





In the table with technical data, the last column lists product codes. When placing an order, please remember to quote the product code followed by the configuration code as shown in the diagram below:

The construction of a water and dual fuel radiator product and configuration code:

WGH2X042071

K916ZX

PRODUCT CODE

(located in the table for the product)

CONFIGURATION CODE

(supplemented by hand)

Example Configuration

K **916** **ZX**

Package code

K - carton box

Colour code

Connection code

Epoxy primer

E - Code of epoxy primer is an extra processes.

WGH2X042071 K916ZX **E** — *Extra processes or additions code*



Legend



Radiator available in a "water" version.



Radiator suitable for dual fuel connection. Electric heating element can be installed.



Radiator available in electric only version. It comes prefilled with a 'heating medium' and equipped with a heating element. All tested and ready to use.



Connection types dedicated for this radiator. The icon shows the flow and return connections for the radiator as well as the thermostatic valve and heating element position if applicable.



Suggested heating element power output for electric and dual fuel versions.



Weight.



Capacity.



Available in chrome finish.



No additional payment for a color.